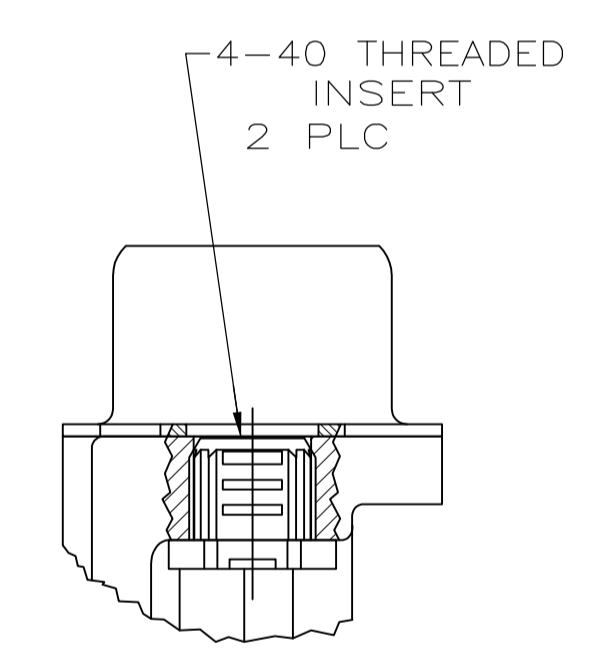
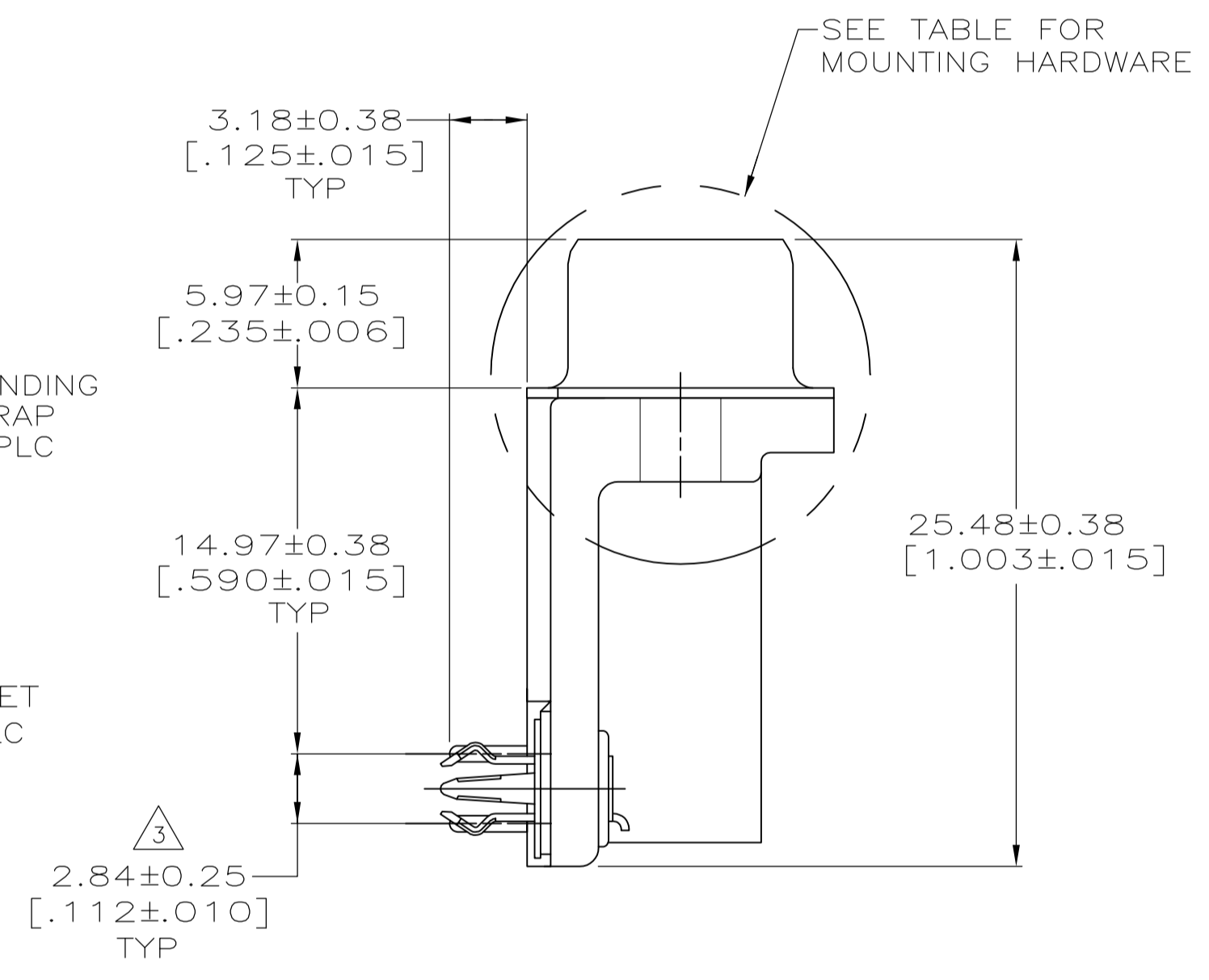
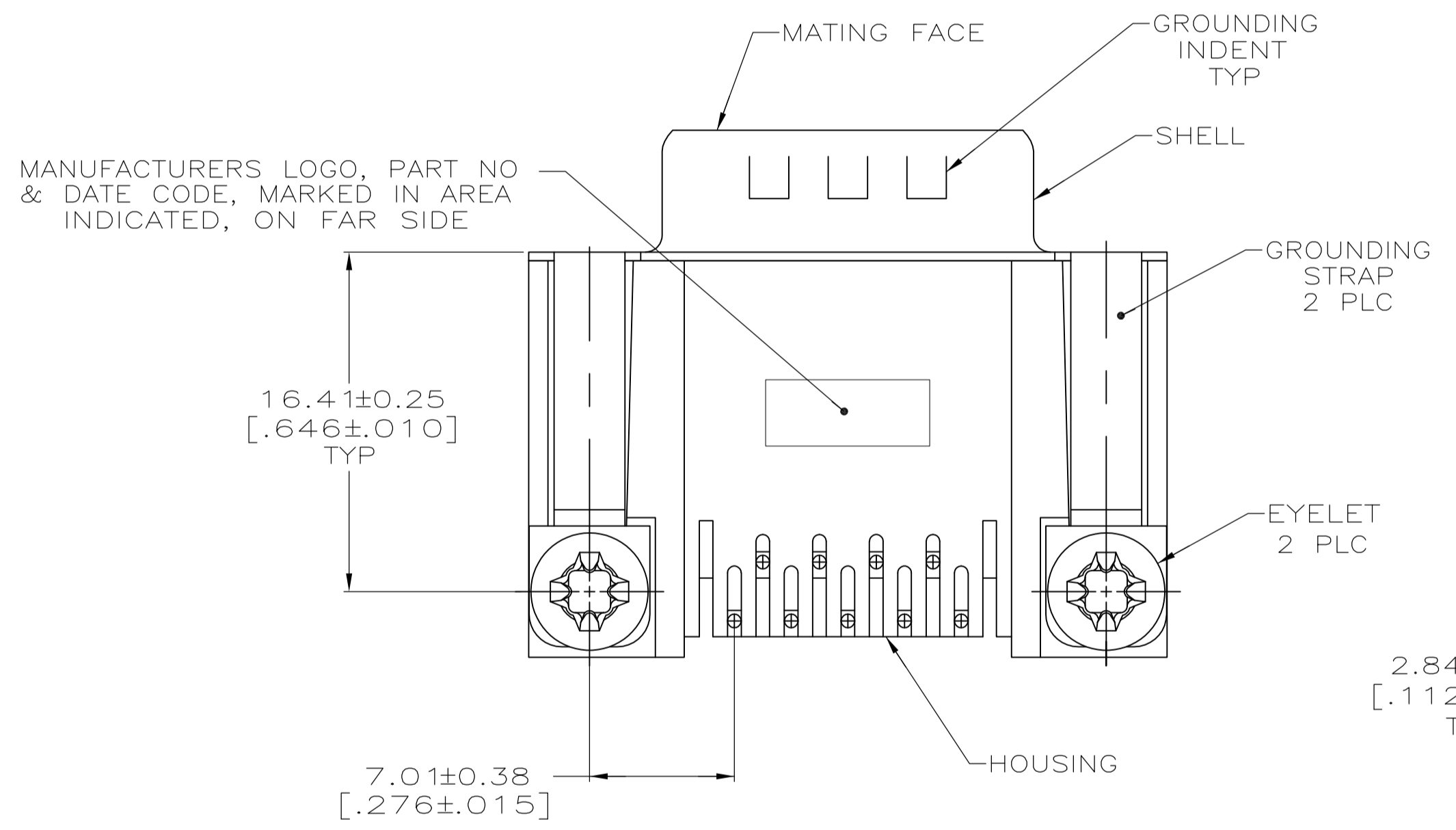


FOR -6 ONLY
DETAIL F
2 PLC

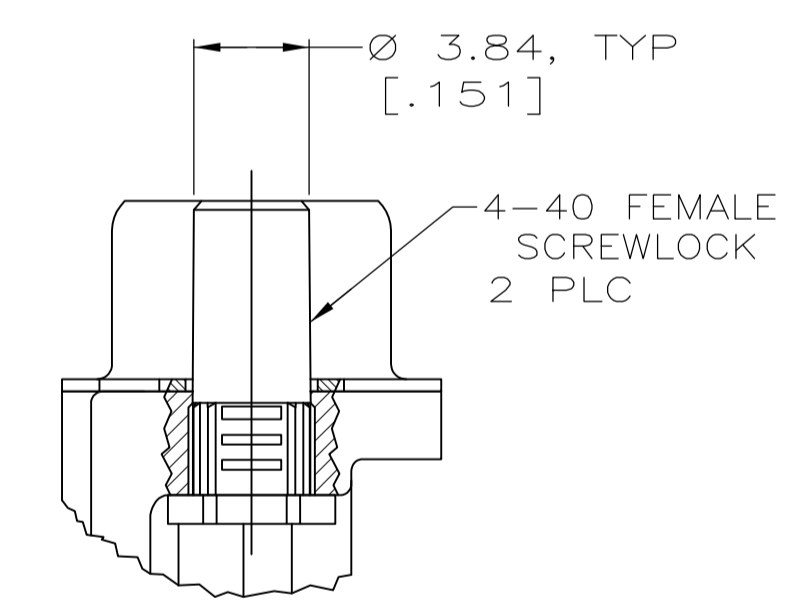
1 HOUSING: NYLON OR POLYESTER, FLAME RETARDANT, UL 94V-0 RATED, GLASS FILLED, BLACK.
CONTACTS: BRASS
SHELL: CARBON STEEL
BOARDLOCKS: COPPER ALLOY
EYELETS: BRASS
SCREWLOCKS & INSERTS: ZINC

2 SHELL: 2.54µm [.000100] MIN TIN OVER 1.27µm [.000050] MIN COPPER.
CONTACTS: 0.768µm (.000030) MIN GOLD PLATE ON THE MATING SURFACES, 2.54µm (.000100) MIN TIN PLATE ON THE SOLDER END, 1.27µm (.000050) MIN NICKEL UNDERPLATE ON THE ENTIRE CONTACT -OR- GOLD FLASH OVER PALLADIUM-NICKEL PLATE, 0.76µm (.000030) MIN TOTAL ON THE MATING SURFACES, 2.54µm (.000100) MIN TIN PLATE ON THE SOLDER END, 1.27µm (.000050) MIN NICKEL UNDERPLATE ON THE ENTIRE CONTACT.
EYELETS: 2.54µm [.000100] MIN TIN OVER COPPER FLASH.
BOARDLOCKS: 3.81µm [.000150] MIN TIN 1.27µm [.000050] MIN NICKEL.
SCREWLOCKS & INSERTS: CLEAR CHROMATE

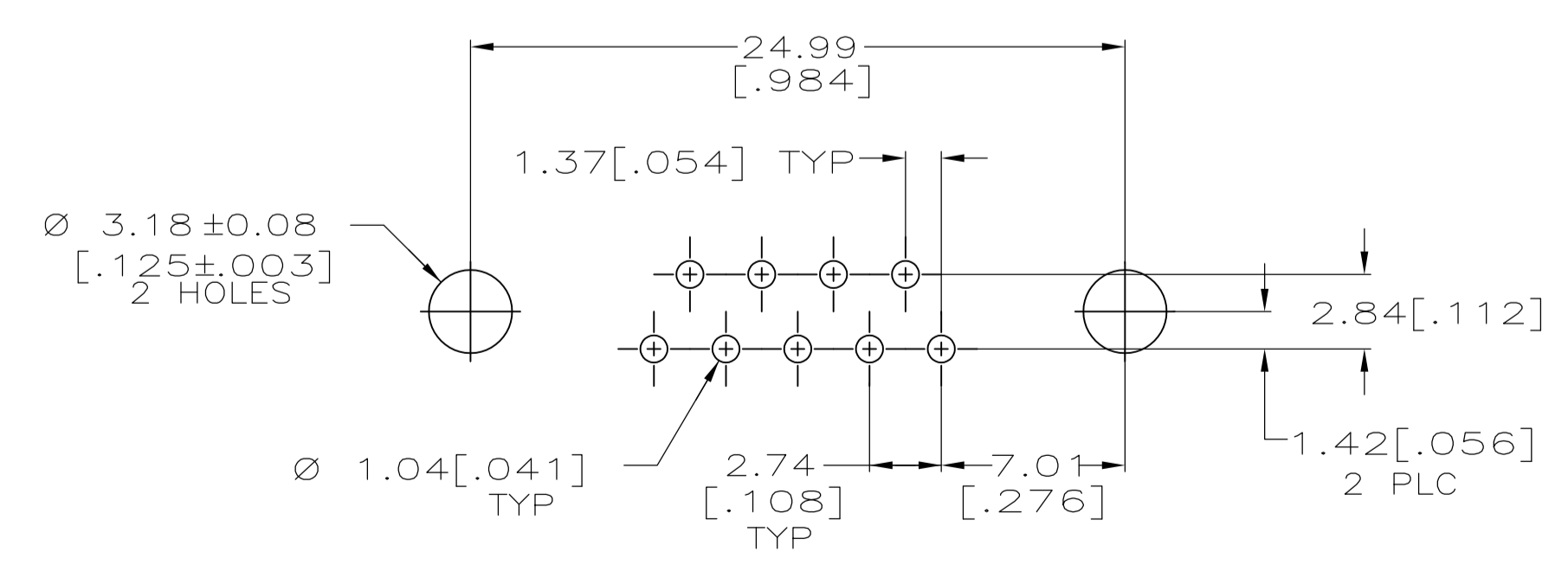
3 DIMENSION APPLIES FROM CENTER OF CONTACTS.



DETAIL D



DETAIL E



P.C. BOARD MOUNTING DIMENSIONS
P.C. BOARD THICKNESS: 1.57 [.062]

SEE DETAIL E	5747827-6
SEE DETAIL D	5747827-4
MOUNTING HARDWARE	PART NUMBER

**COPYRIGHT 2005
TYCO ELECTRONICS CORP
ALL RIGHTS RESERVED**

THIS DRAWING IS A CONTROLLED DOCUMENT. DIMENSIONING AND TOLERANCING PER ASME Y14.5M-2009		DWG: G. ATTADIA - DOCKS 04-06-05	CHK: S. BOLASH 04-06-05	APVD: M. WALMSLEY 04-06-05	NAME: M. WALMSLEY
DIMENSIONS: mm [INCHES]		TOLERANCES UNLESS OTHERWISE SPECIFIED:		PRODUCT SPEC: 108-40025	
0 PLC ± .01		1 PLC ± .01		APPLICATION SPEC: 114-40010	
1 PLC ± .01		2 PLC ± .01		SIZE: A1	
2 PLC ± .01		3 PLC ± .01		CAGE CODE: 00779	
3 PLC ± .01		4 PLC ± .01		DRAWING NO: 5747827	
4 PLC ± .01		ANGLES ± .5°		WEIGHT: -	
MATERIAL: 1		FINISH: 2		CUSTOMER DRAWING	
SCALE: 4:1		SHEET: 1 of 1		REV: C	

单击下面可查看定价，库存，交付和生命周期等信息

[>>TE Connectivity\(泰科\)](#)