

THIS DRAWING IS UNPUBLISHED.

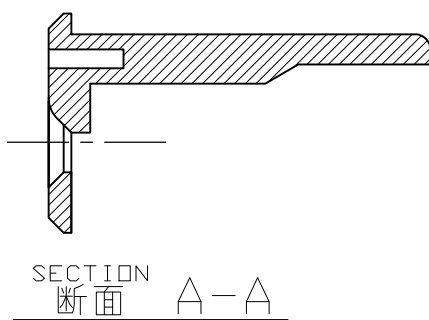
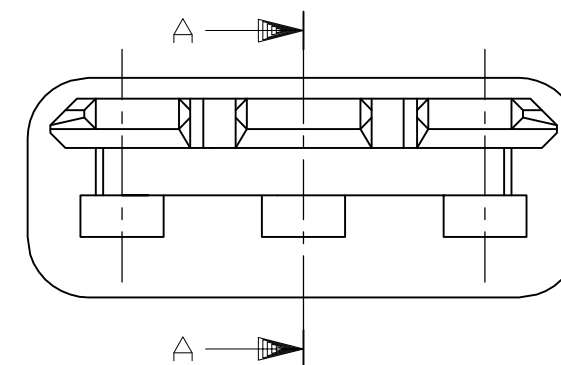
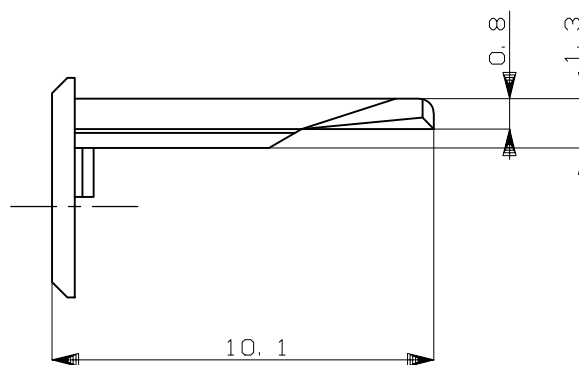
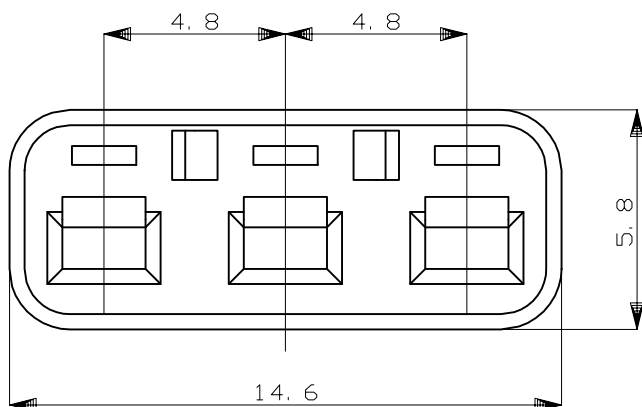
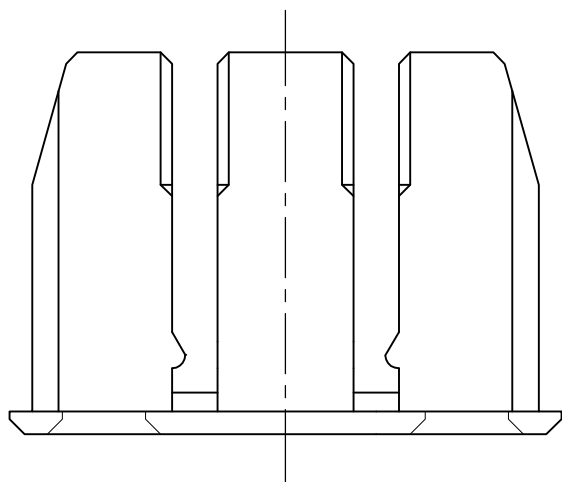
RELEASED FOR PUBLICATION

ALL RIGHTS RESERVED.

© COPYRIGHT - By -

REVISIONS

P	LTR	DESCRIPTION	DATE	DWN	APVD
	C2	REVISED	ECR-18-009736	22JUN2018	TS HY



SECTION 断面 A-A

1. 本品は、プラグハウジング型番174357及び2822390に装着される。

1. TO BE MATED WITH PLUG HOUSING PART NUMBER 174357 AND 2822390

HB	自然色 (NATURAL)	1-174358-1
V-2	黄 (YELLOW)	174358-7
使用材料難燃グレード (FLAMMABILITY OF MATERIAL)	色 (COLOR)	型番 (PART NUMBER)

THIS DRAWING IS A CONTROLLED DOCUMENT.		DWN	K.ODA	8/19'87	STE TE Connectivity Ltd.		
DIMENSIONS: mm		CHK	Y.MATSUSAKA	8/24'87			
TOLERANCES UNLESS OTHERWISE SPECIFIED:		APVD	M.NOBUCHI	8/25'87	NAME		
0 PLC ± -		PRODUCT SPEC		3P. ECONOSEAL J-MARKII+ CONNECTOR			
1 PLC ± -		108-5262		DOUBLE LOCK PLATE FOR PLUG HOUSING			
2 PLC ± -		APPLICATION SPEC		SIZE	CAGE CODE	DRAWING NO	RESTRICTED TO
3 PLC ± -		-		-	-	-	-
4 PLC ± -		MATERIAL		WEIGHT	A300779 C-174358		-
ANGLES ± -		PBT		0.19 g	SCALE 5:1		SHEET 1 OF 1
FINISH -		CUSTOMER DRAWING		REV C2			

GENERAL TOLERANCE	
0 < * ≤ 10	: ±0.2
10 < * ≤ 30	: ±0.25
30 < * ≤ 100	: ±0.3
ANGLES	: ±3°

单击下面可查看定价，库存，交付和生命周期等信息

[>>TE Connectivity\(泰科\)](#)