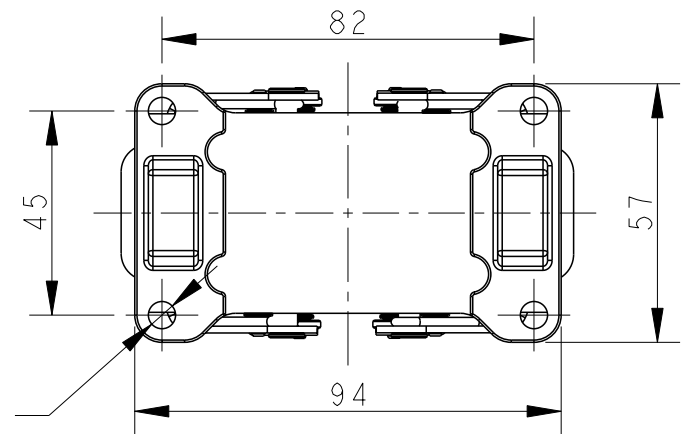
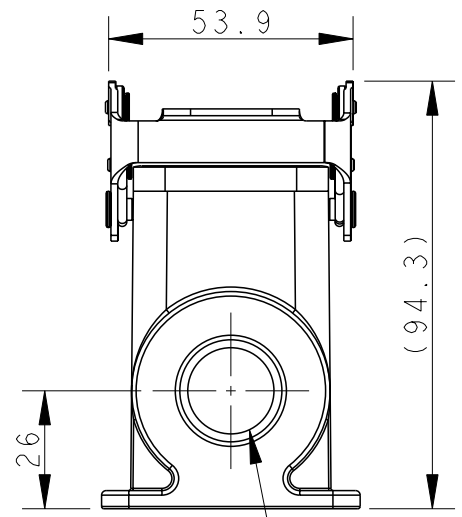
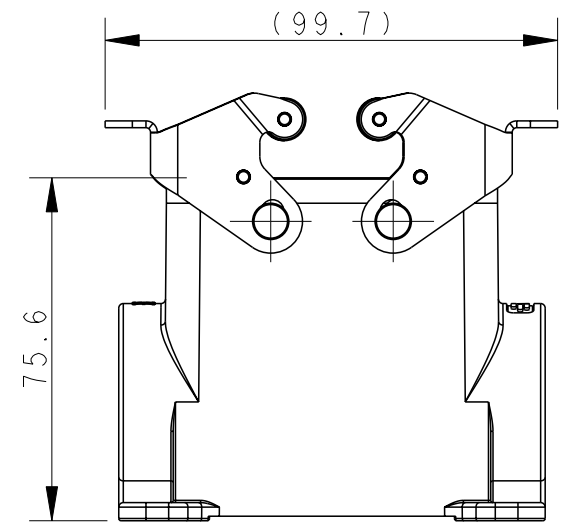
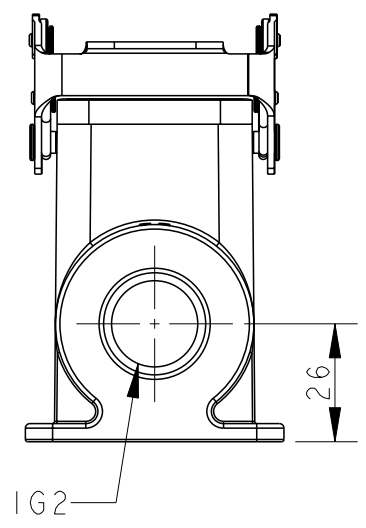
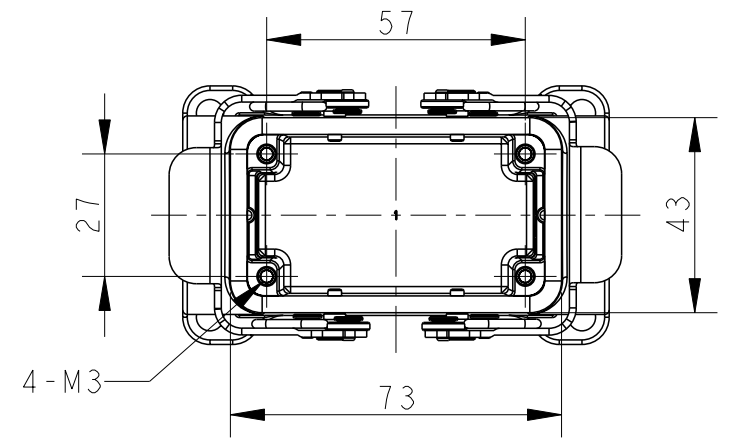


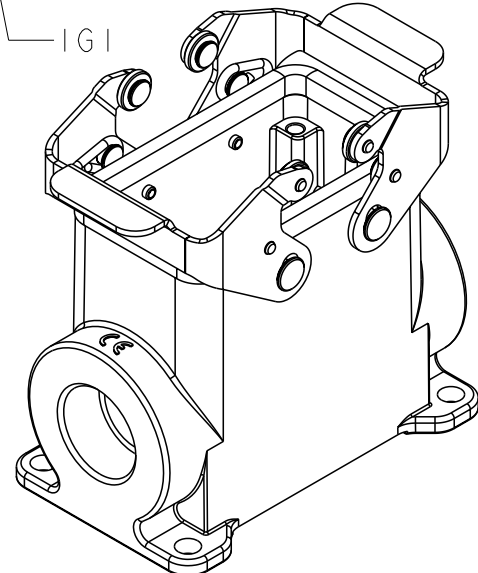
THIS DRAWING IS UNPUBLISHED. RELEASED FOR PUBLICATION 20  
 © COPYRIGHT 20 BY - ALL RIGHTS RESERVED.

| P | LTR | DESCRIPTION     | DATE      | DWN | APVD |
|---|-----|-----------------|-----------|-----|------|
|   | A   | INITIAL RELEASE | 25JUN2015 | DL  | CW   |
|   | B   | ECR-20-008181   | 13JUL2020 | WQR | CW   |
|   | B1  | ECR-23-195948   | 27DEC2023 | SC  | CW   |



NOTES:  
 1. TECHNICAL CHARACTERISTICS:  
 BODY MATERIAL: DIE CAST ALUMINIUM ALLOY  
 SURFACE TREATMENT: POWDER-COATED, GRAY  
 DEGREE OF PROTECTION: IP65 (MATED)

注释:  
 1. 技术参数:  
 主体材料: 铝合金  
 表面处理: 粉末喷涂, 灰色  
 防护等级: IP65(配合)



TYPE I: HIGH BODY + DOUBLE STAINLESS STEEL LOCKING

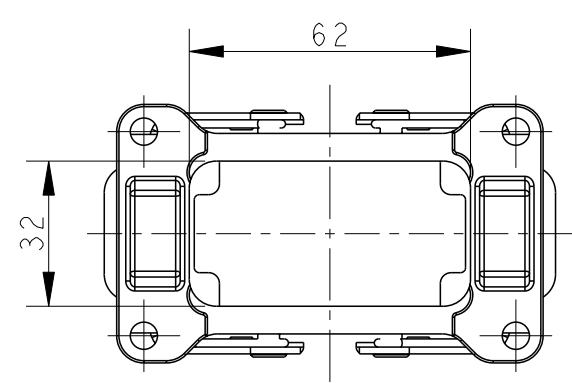
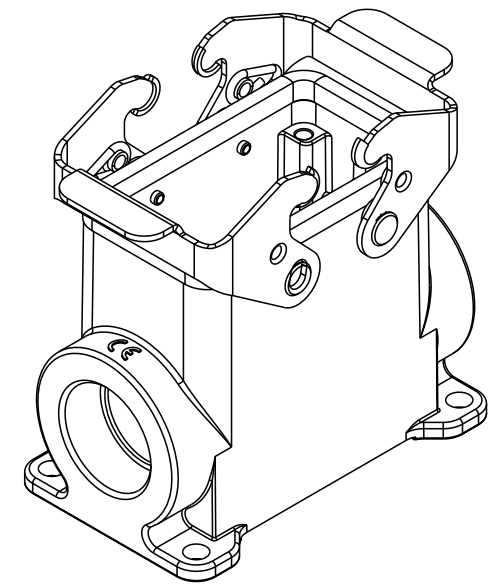
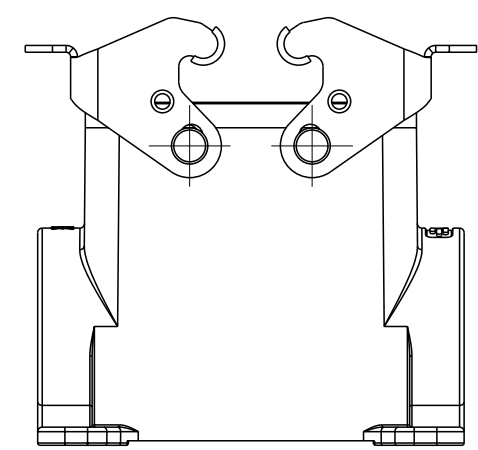
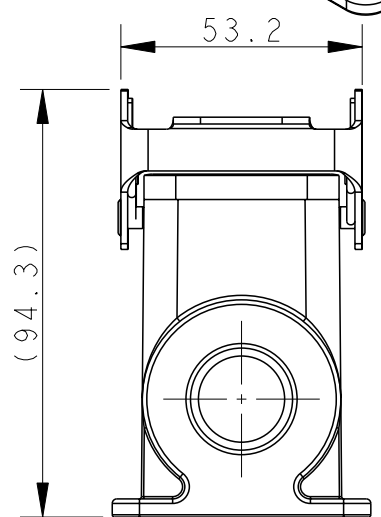
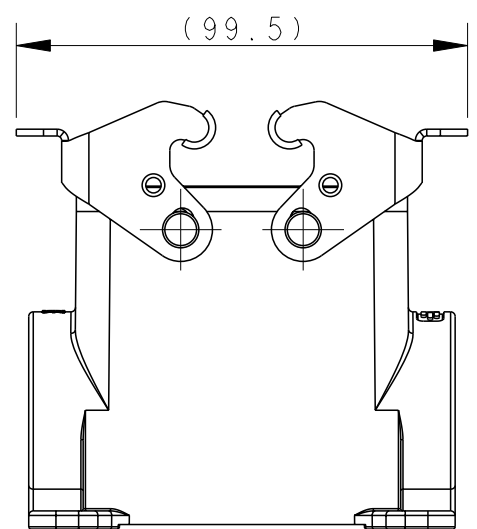
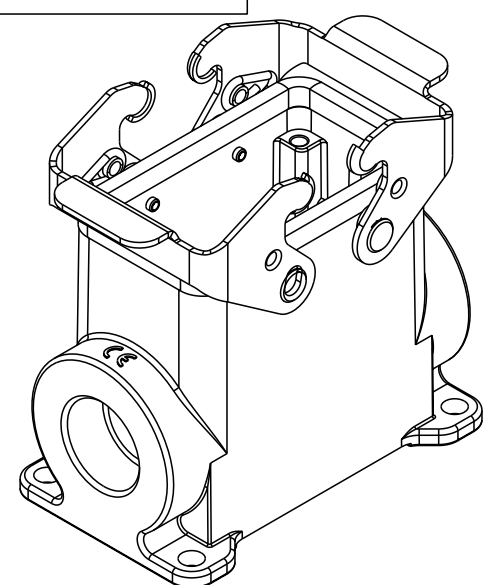
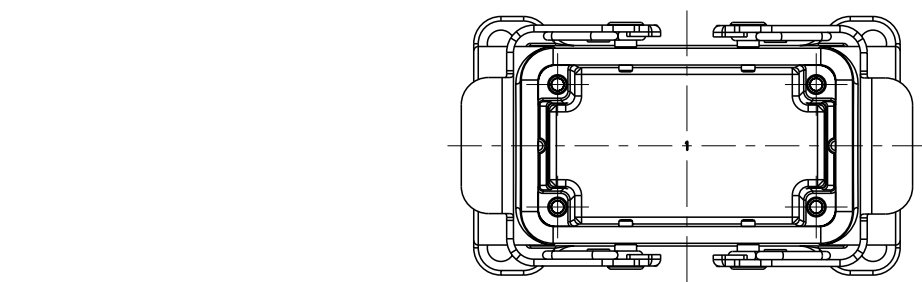
|                      |        |                  |                           |      |
|----------------------|--------|------------------|---------------------------|------|
| TI470101225-000      | TYPE I | H10B-SGRHS-2M25  | M25                       | M25  |
| TI470101121-000      |        | H10B-SGRHS-PG21  | PG21                      | -    |
| TI470101129-000      |        | H10B-SGRHS-PG29  | PG29                      | -    |
| TI470101132-000      |        | H10B-SGRHS-M32   | M32                       | -    |
| TI470101221-000      |        | H10B-SGRHS-2PG21 | PG21                      | PG21 |
| TI470101229-000      |        | H10B-SGRHS-2PG29 | PG29                      | PG29 |
| TI470101232-000      |        | H10B-SGRHS-2M32  | M32                       | M32  |
| ASSEMBLY PART NUMBER |        | TYPE             | ASSEMBLY PART DESCRIPTION | IG1  |

|  |     |                  |            |                           |                  |    |       |    |       |    |       |    |        |    |              |
|--|-----|------------------|------------|---------------------------|------------------|----|-------|----|-------|----|-------|----|--------|----|--------------|
| THIS DRAWING IS A CONTROLLED DOCUMENT.   |     | DWN              | 25JUN2015  | <b>TE</b> TE Connectivity |                  |    |       |    |       |    |       |    |        |    |              |
| DIMENSIONS: mm   |     | CHK              | 25JUN2015  |                           |                  |    |       |    |       |    |       |    |        |    |              |
| TOLERANCES UNLESS OTHERWISE SPECIFIED:   |     | APVD             | 25JUN2015  |                           |                  |    |       |    |       |    |       |    |        |    |              |
| <table border="1"> <tr><td>0 PLC</td><td>±-</td></tr> <tr><td>1 PLC</td><td>±-</td></tr> <tr><td>2 PLC</td><td>±-</td></tr> <tr><td>3 PLC</td><td>±-</td></tr> <tr><td>4 PLC</td><td>±-</td></tr> <tr><td>ANGLES</td><td>±-</td></tr> </table> |     | 0 PLC            | ±-         |                           | 1 PLC            | ±- | 2 PLC | ±- | 3 PLC | ±- | 4 PLC | ±- | ANGLES | ±- | PRODUCT SPEC |
| 0 PLC  | ±-  |                  |            |                           |                  |    |       |    |       |    |       |    |        |    |              |
| 1 PLC  | ±-  |                  |            |                           |                  |    |       |    |       |    |       |    |        |    |              |
| 2 PLC  | ±-  |                  |            |                           |                  |    |       |    |       |    |       |    |        |    |              |
| 3 PLC  | ±-  |                  |            |                           |                  |    |       |    |       |    |       |    |        |    |              |
| 4 PLC  | ±-  |                  |            |                           |                  |    |       |    |       |    |       |    |        |    |              |
| ANGLES   | ±-  |                  |            |                           |                  |    |       |    |       |    |       |    |        |    |              |
| MATERIAL   | TBD | FINISH           | -          | NAME                      | H10B-SGRHS-PG/M  |    |       |    |       |    |       |    |        |    |              |
| APPLICABLE STANDARDS   |     | APPLICATION SPEC | 114-137013 | SIZE                      | A3               |    |       |    |       |    |       |    |        |    |              |
| MATERIAL   |     | WEIGHT           | -          | CAGE CODE                 | -                |    |       |    |       |    |       |    |        |    |              |
| CUSTOMER DRAWING   |     | SCALE            | 3:5        | DRAWING NO                | ©-TI47010XXXX000 |    |       |    |       |    |       |    |        |    |              |
|  |     | SHEET            | 1 OF 2     | RESTRICTED TO             |                  |    |       |    |       |    |       |    |        |    |              |
|  |     | REV              | B1         |                           |                  |    |       |    |       |    |       |    |        |    |              |

printed on 29 Dec 2023 09:57 (China Standard Time) from TE568938

THIS DRAWING IS UNPUBLISHED. RELEASED FOR PUBLICATION 20  
 © COPYRIGHT 20 BY - ALL RIGHTS RESERVED.

| P | LTR | DESCRIPTION | DATE | DWN | APVD |
|---|-----|-------------|------|-----|------|
| - | -   | SEE SHEET 1 | -    | -   | -    |




TYPE 2: HIGH BODY + DOUBLE STEEL LOCKING  
 OTHER SPEC REFER TO TYPE 1

TYPE 3: HIGH BODY + DOUBLE STEEL LOCKING  
 BOTTOM CUT OUT  
 OTHER SPEC REFER TO TYPE 2

printed on 29 Dec 2023 09:57 (China Standard Time) from TE568938

|                      |        |                           |           |      |
|----------------------|--------|---------------------------|-----------|------|
| TI470102116-000      | TYPE 2 | H10B-SGRH-PG16            | PG16      | -    |
| TI470102121-000      |        | H10B-SGRH-PG21            | PG21      | -    |
| TI470102125-000      |        | H10B-SGRH-M25             | M25       | -    |
| TI470102129-000      |        | H10B-SGRH-PG29            | PG29      | -    |
| TI470102132-000      |        | H10B-SGRH-M32             | M32       | -    |
| TI470102221-000      |        | H10B-SGRH-2PG21           | PG21      | PG21 |
| TI470102225-000      |        | H10B-SGRH-2M25            | M25       | M25  |
| TI470102229-000      |        | H10B-SGRH-2PG29           | PG29      | PG29 |
| TI470102232-000      |        | H10B-SGRH-2M32            | M32       | M32  |
| TI470100000-000      |        | TYPE 3                    | H10B-SGRH | -    |
| ASSEMBLY PART NUMBER | TYPE   | ASSEMBLY PART DESCRIPTION | IG1       | IG2  |

|  |   |
|--|---|
| THIS DRAWING IS A CONTROLLED DOCUMENT. |   |
| DIMENSIONS:<br>mm                      | TOLERANCES UNLESS OTHERWISE SPECIFIED:<br>0 PLC ±-<br>1 PLC ±-<br>2 PLC ±-<br>3 PLC ±-<br>4 PLC ±-<br>ANGLES ±- |
| MATERIAL<br>TBD                        | FINISH<br>-   |

|                                |  |                        |                                |               |
|--------------------------------|--|------------------------|--------------------------------|---------------|
| DWN<br>DAVID LI<br>25JUN2015   | <br>TE Connectivity | NAME<br>H10B-SGRH-PG/M | RESTRICTED TO                  |               |
| CHK<br>CHRIS WANG<br>25JUN2015 |  |                        |                                |               |
| APVD<br>XU XIANG<br>25JUN2015  |  |                        |                                |               |
| PRODUCT SPEC<br>108-137013     |  |                        |                                |               |
| APPLICATION SPEC<br>114-137013 | SIZE<br>A3   | CAGE CODE<br>-         | DRAWING NO<br>C-TI47010XXXX000 | RESTRICTED TO |
| WEIGHT<br>-                    | SCALE<br>3:5   | SHEET<br>2 OF 2        | REV<br>B1                      |               |
| CUSTOMER DRAWING               |  |                        |                                |               |

单击下面可查看定价，库存，交付和生命周期等信息

[>>TE Connectivity\(泰科\)](#)