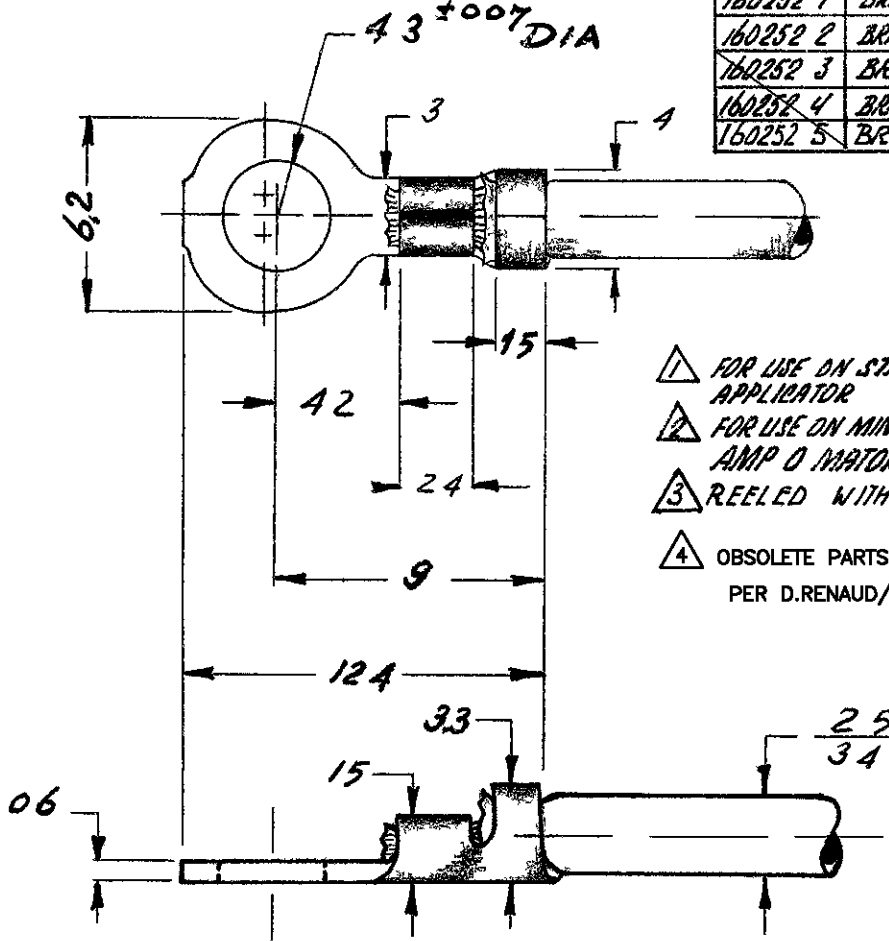
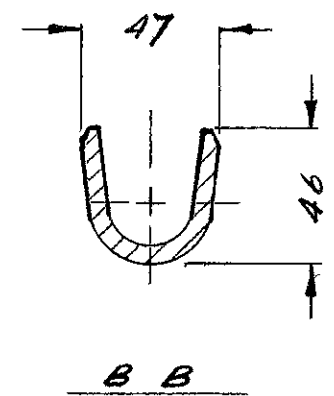
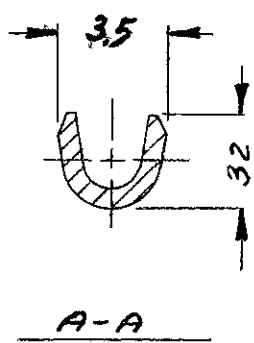
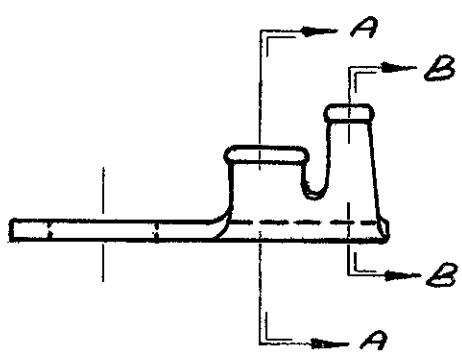


L 160252

ORDER NO	MATERIAL PLATING	NOTE
160252 1	BRASS	1
160252 2	BRASS TINPLATED	1
160252 3	BRASS	4 2
160252 4	BRASS TINPLATED	4 2
160252 5	BRASS	4 3 1



- △ FOR USE ON STANDARD AND MINIATURE APPLICATOR
- △ FOR USE ON MINIATURE APPLICATOR AMP D MOTOR APPLICATION
- △ REELED WITH PAPER
- △ OBSOLETE PARTS: OBSOLETE CIS STREAMLINING PER D.RENAUD/D.SINISI



MATERIAL **BRASS**  
 HEAT TREATMENT **~**  
 FINISH **~**

© AMP HOLLAND N V 1959

AMP HOLLAND N V  
 s HERTOGENBOSCH HOLLAND

WIRE TERMINAL

No	ALTERAT ON	DATE	BY	N D C
B1	REVISED PER ECO-09-026346	NOV09	KK	
B	ADDED -5	23.5.82	FB	
A	ADDED TABLE AND NOTES	23.7.82	FB	

CLASS	RINGTONGUE
TYPE	A M
SIZE	05-143 MM <sup>2</sup>
TO ERANCES ALL D MENS ONS EXCEP AS NO ED	

DR **W J BOTS** 7-9/84 TR  
 CK APP

1-1

C-160252

单击下面可查看定价，库存，交付和生命周期等信息

[>>TE Connectivity\(泰科\)](#)