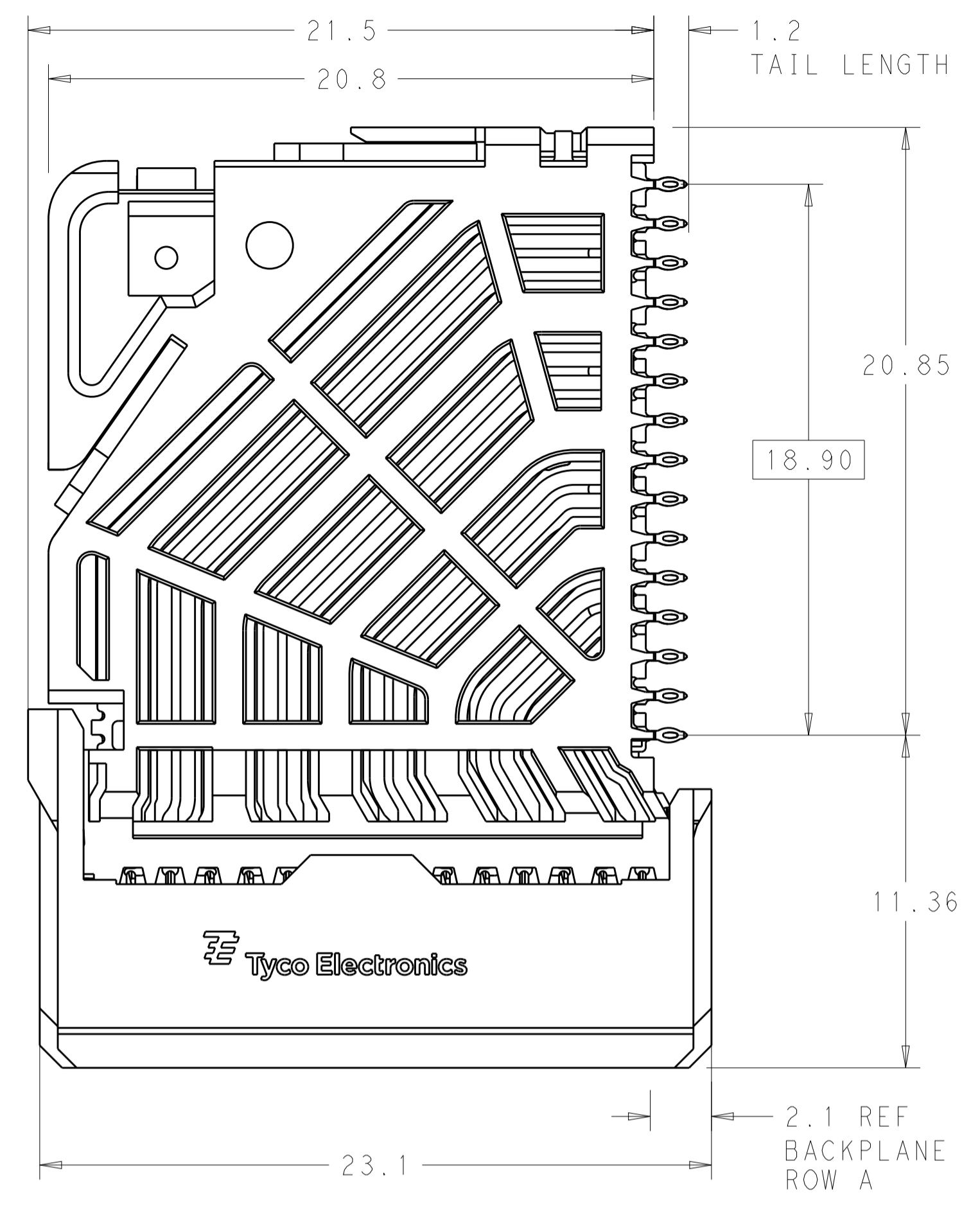
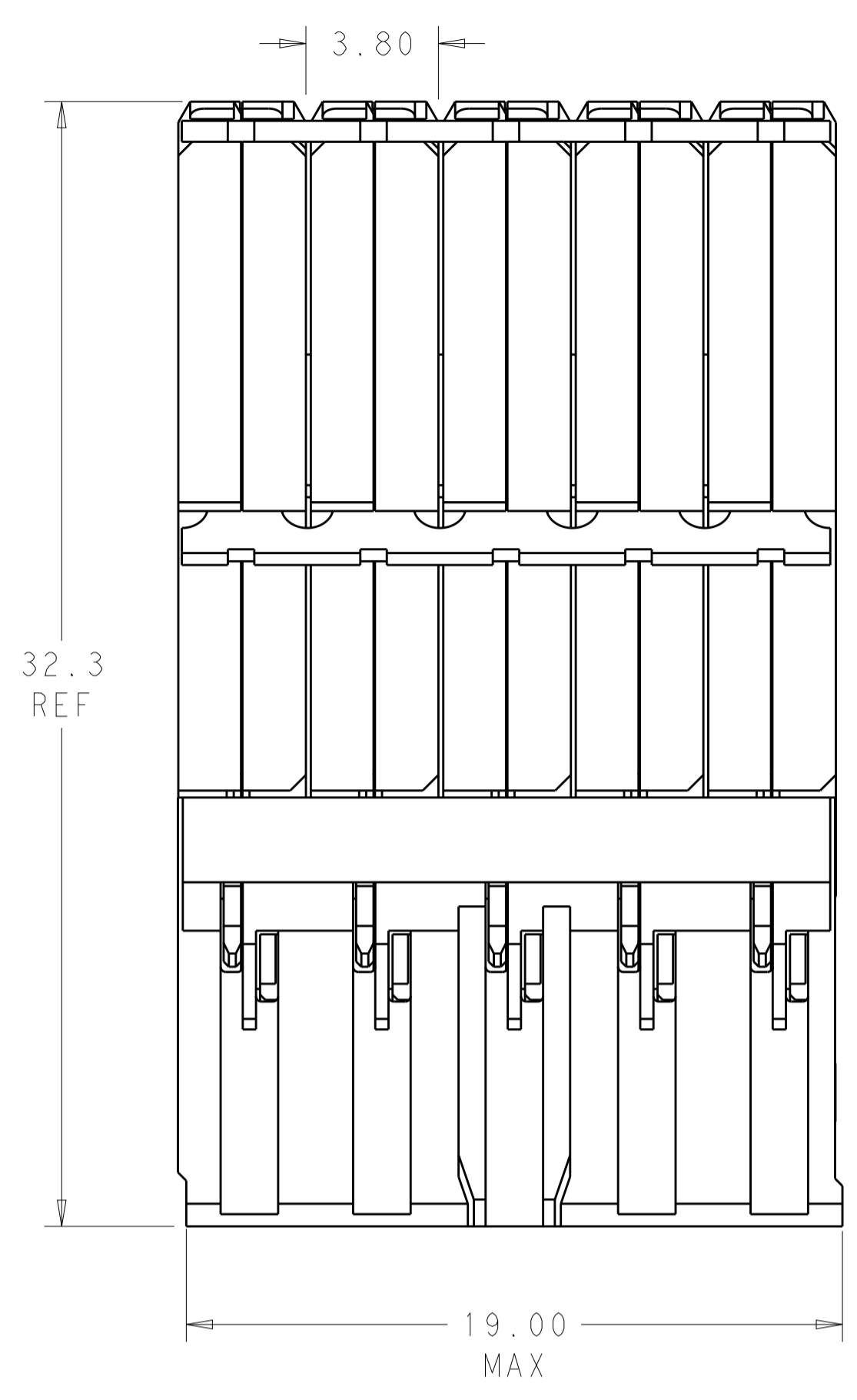
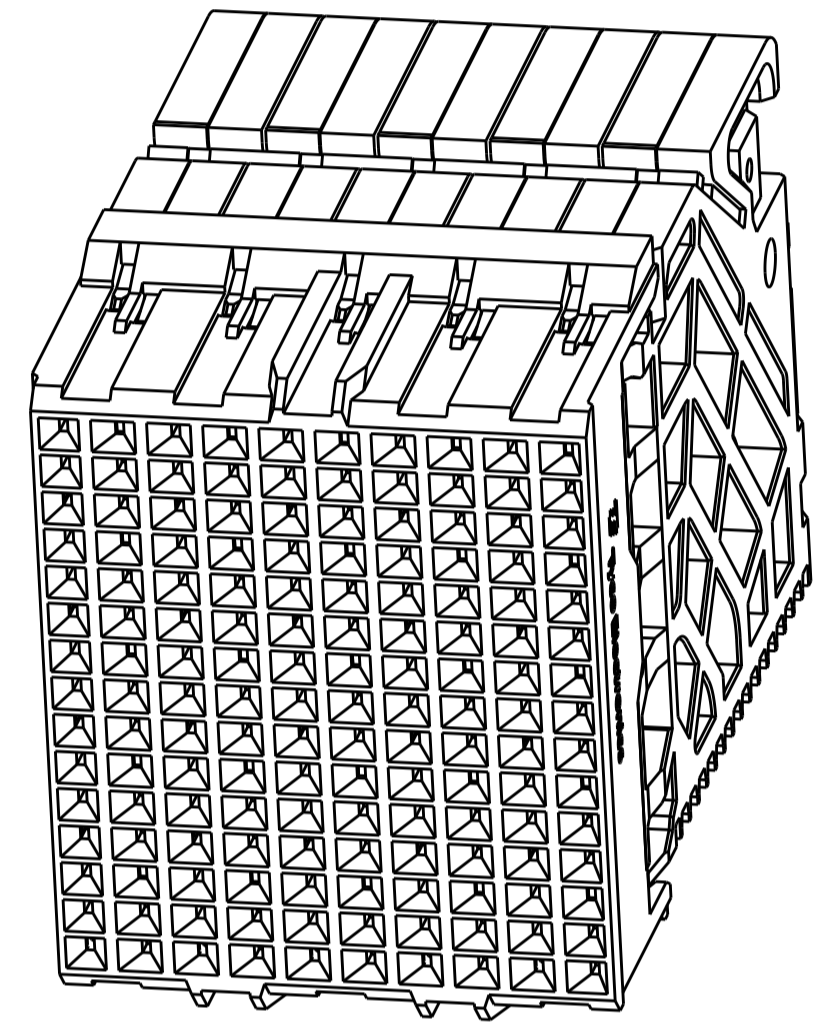


| REVISIONS | | | | |
|-----------|-----|---------------------------|-----------|----------|
| P. | LTM | DESCRIPTION | DATE | DWN APVD |
| C2 | | REVISED PER ECO-15-004915 | 09APR2015 | AP DD |

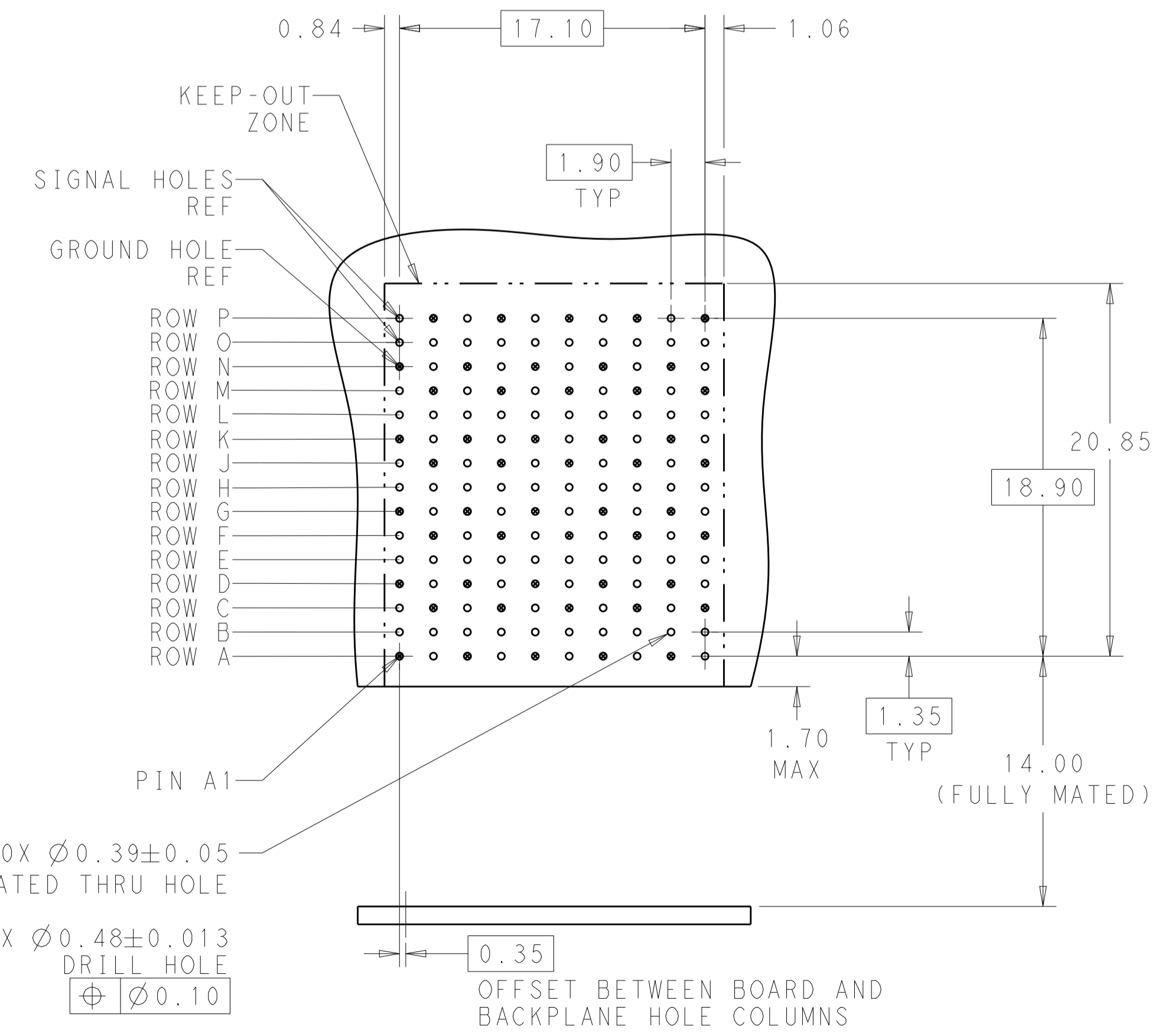
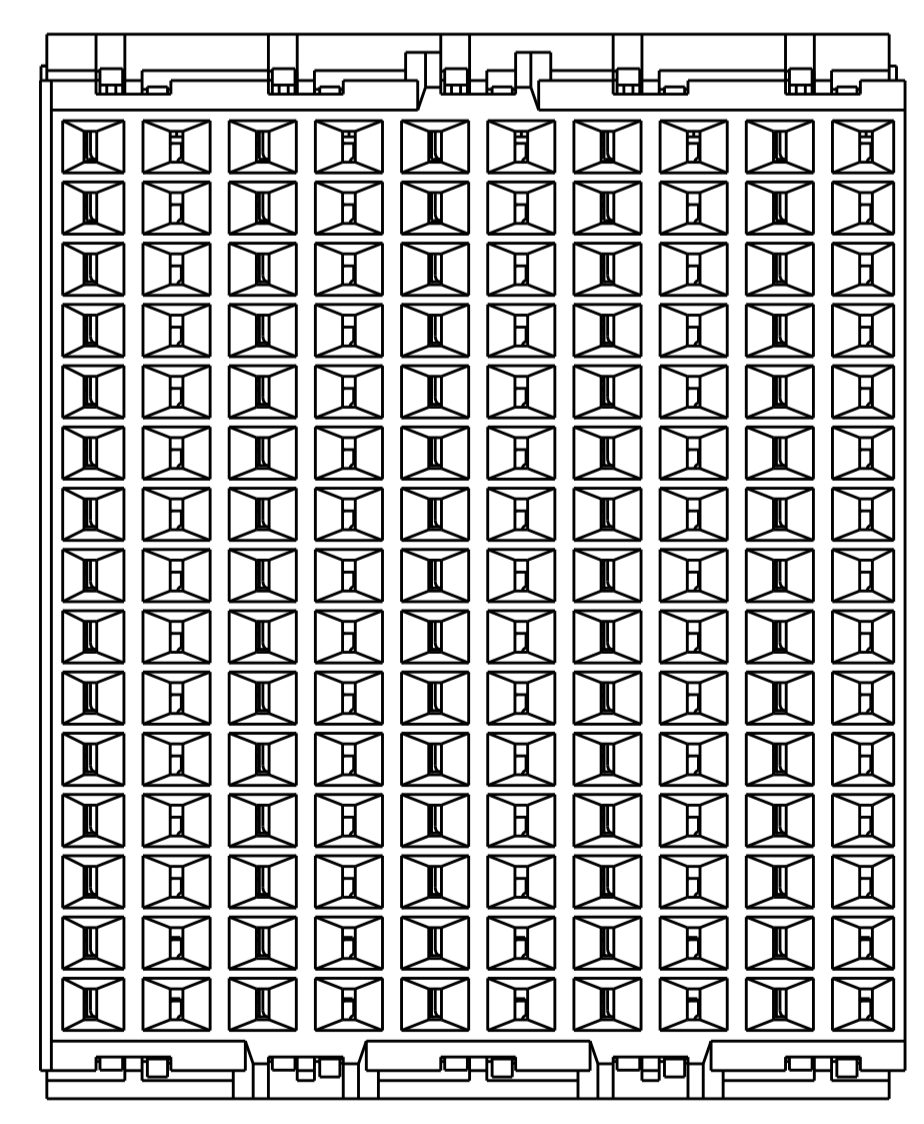


- ⚠ MATERIAL:
HOUSING: LCP, GLASS FILLED, UL94V-0.
TERMINALS: HIGH PERFORMANCE COPPER ALLOY.
- ⚠ FINISH:
30µ" SELECTIVE GOLD IN CONTACT AREA. SELECTIVE TIN ON PCB TAILS, NICKEL OVERALL.
- 3. CONNECTORS SUPPLIED WITH MOUNTING SCREW.



SCALE 4:1

REFER TO WWW.TE.COM FOR PRODUCT AVAILABILITY



150X Ø0.39±0.05 PLATED THRU HOLE
 150X Ø0.48±0.013 DRILL HOLE
 Ø0.10

OFFSET BETWEEN BOARD AND BACKPLANE HOLE COLUMNS

RECOMMENDED PCB LAYOUT
 MIN BOARD THICKNESS 1.0

| | | |
|--------------|--------|-------------|
| NONE | ⚠ | 2110106-1 |
| KEY POSITION | FINISH | PART NUMBER |

| | | | | |
|--|--------|--|------------------|---|
| THIS DRAWING IS A CONTROLLED DOCUMENT. | | DWN J.K. SHOBER 19JAN2011 | | NAME IMPACT, 5 PAIR, DAUGHTERCARD 10 COLUMN, UNGUIDED, SIGNAL MODULE, 0.39 EYELET |
| DIMENSIONS: | | CHK D. DIXON 19JAN2011 | | |
| TOLERANCES UNLESS OTHERWISE SPECIFIED: | | APVD D. DIXON 19JAN2011 | | |
| 0 PLC ± 1 PLC ±0.2 2 PLC ±0.13 3 PLC ± 4 PLC ± ANGLES ± | | PRODUCT SPEC APPLICATION SPEC SIZE CAGE CODE DRAWING NO RESTRICTED TO | | |
| MATERIAL | FINISH | WEIGHT | A100779C=2110106 | Customer Drawing |
| SEE TABLE | | SCALE 6:1 | SHEET 1 OF 1 | REV C2 |

单击下面可查看定价，库存，交付和生命周期等信息

[>>TE Connectivity\(泰科\)](#)