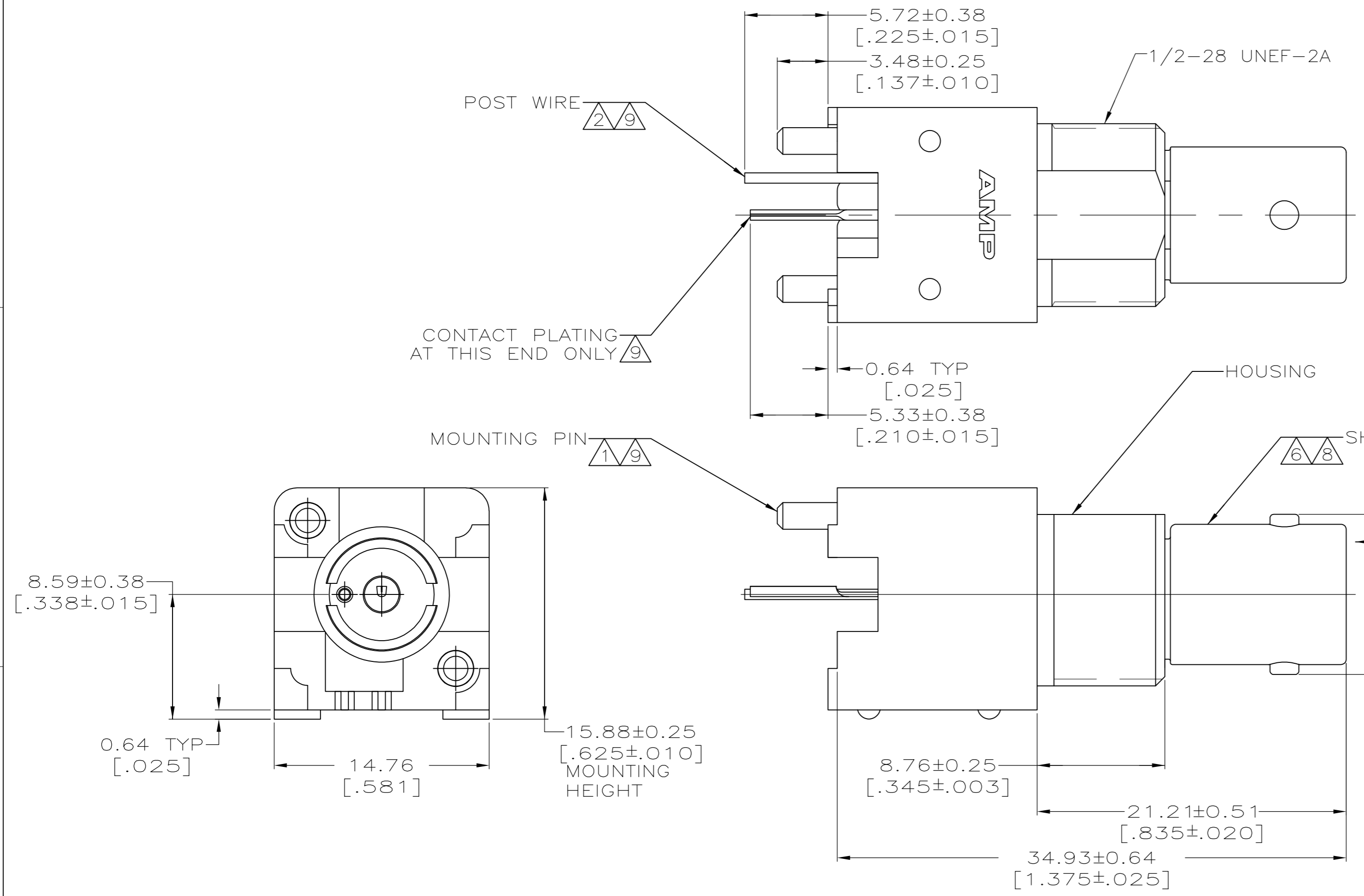
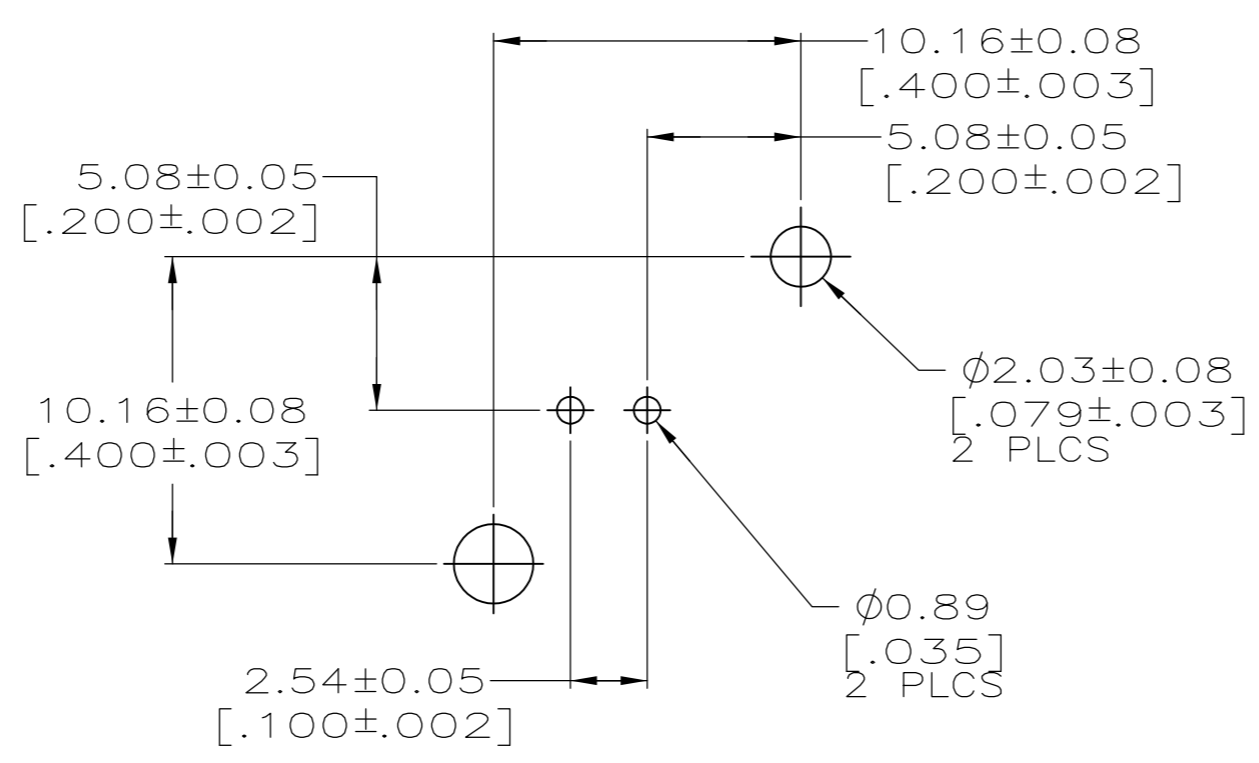
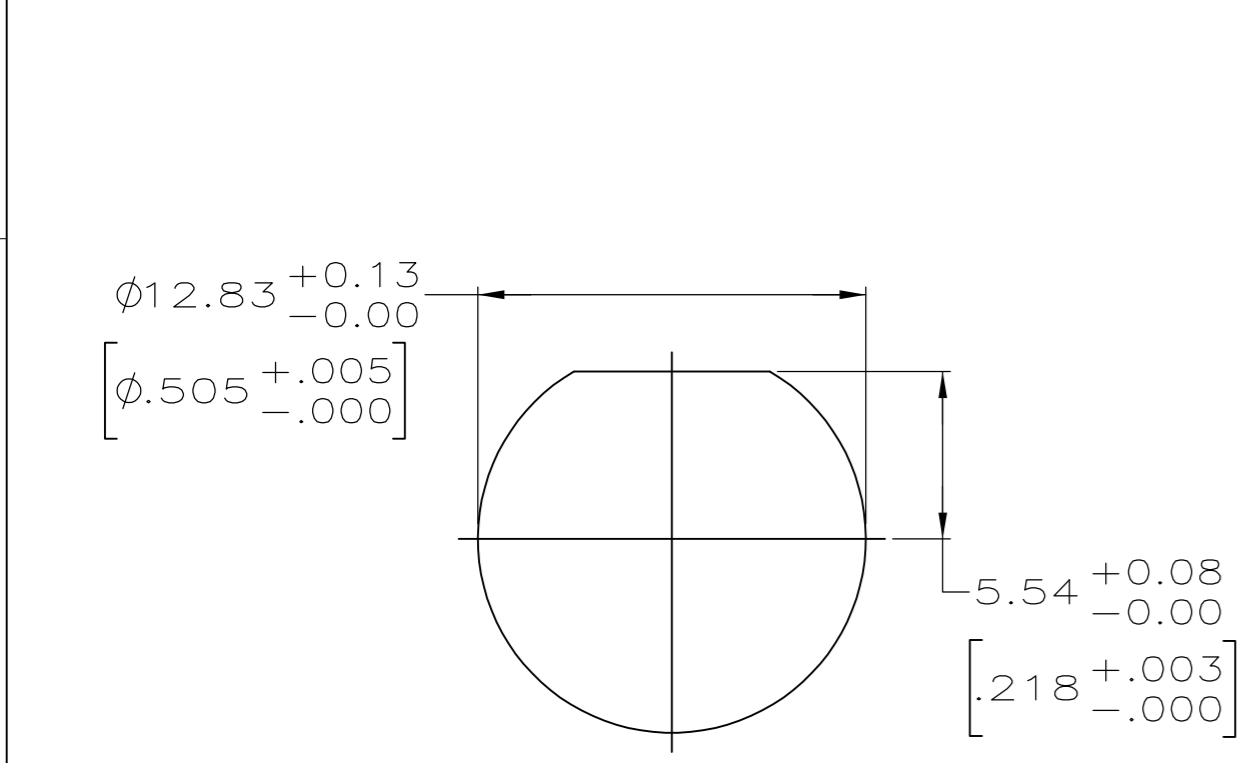


THIS DRAWING IS UNPUBLISHED. RELEASED FOR PUBLICATION  
 © COPYRIGHT BY TYCO ELECTRONICS CORPORATION. ALL RIGHTS RESERVED.

LOC	DIST	REVISIONS			
P	LTR	DESCRIPTION	DATE	DWN	APVD
AJ	16	G	REVISED PER ECO-08-009474	7/22/2008	DW JL



- 1 BRASS PER ASTM-B-16
- 2 BRASS PER ASTM-B-453
- 3 PHOSPHOR BRONZE PER ASTM-B-103
- 4 POLYESTER PBT PER MIL-M-25419, TYPE GPT-15F, UL94V-0 RATED, COLOR: BLACK
- 5 POLYMETHYLPENTENE: GENERAL PURPOSE
- 6 ZINC DIE CAST PER QQ-Z-363
- 7 GOLD PLATE PER MIL-G-45204, 0.76µm [.000030] MIN THICKNESS
- 8 NICKEL PLATE PER QQ-N-290, 3.81µm [.000150] MIN THICKNESS
- 9 TIN PLATE PER ASTM-B-545, 3.81µm [.000150] MIN THICKNESS
- 10. USE INSTRUCTION SHEET 2769
- 11 POLYESTER PBT PER MIL-M-25419, TYPE GPT-15F, UL94V-0 RATED, COLOR: WHITE



OBSOLETE	11	415632-2
	4	415632-1
HOUSING MATERIAL		PART NUMBER

THIS DRAWING IS A CONTROLLED DOCUMENT.		DWN 040CT96 MICHAEL E. COWHER	Tyco Electronics Corporation Middletown, PA 17057	
DIMENSIONS: mm [INCHES]		CHK 070CT96 MICHAEL J. TOMCHAK	NAME JACK, VERTICAL, 75 OHM, PCB, BNC	
TOLERANCES UNLESS OTHERWISE SPECIFIED:		APVD 070CT96 MICHAEL J. TOMCHAK	PRODUCT SPEC 108-12078	
0 PLC ± -	1 PLC ± -	APPLICATION SPEC		
2 PLC ± 0.20 [.008]	3 PLC ± -	SIZE CAGE CODE DRAWING NO RESTRICTED TO		
4 PLC ± -	ANGLES ± -	A2 00779 C=415632		
MATERIAL SEE NOTES	FINISH SEE NOTES	WEIGHT -	SCALE 4:1	SHEET 1 OF 1
CUSTOMER DRAWING		REV G		

单击下面可查看定价，库存，交付和生命周期等信息

[>>TE Connectivity\(泰科\)](#)