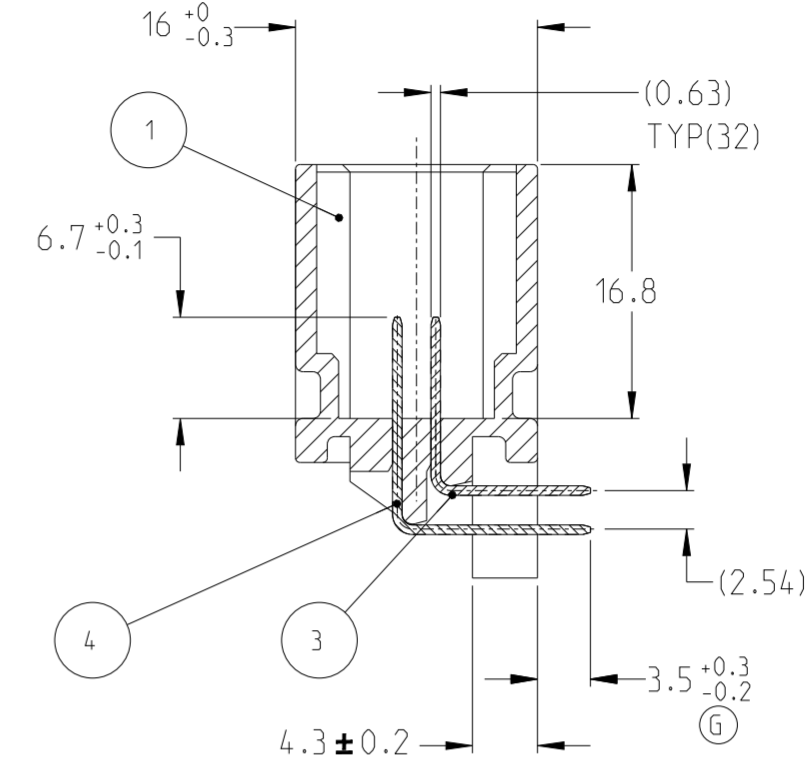
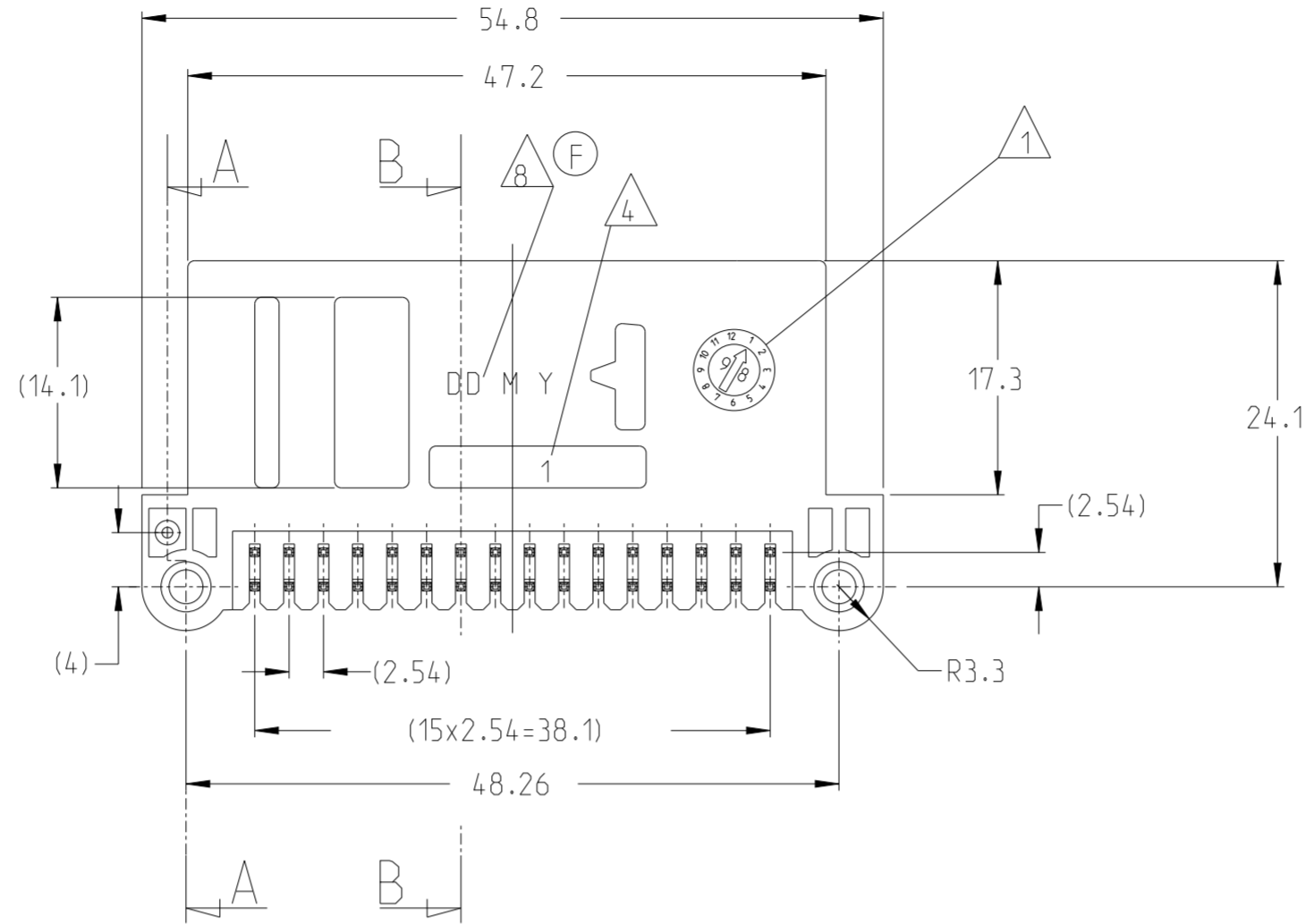
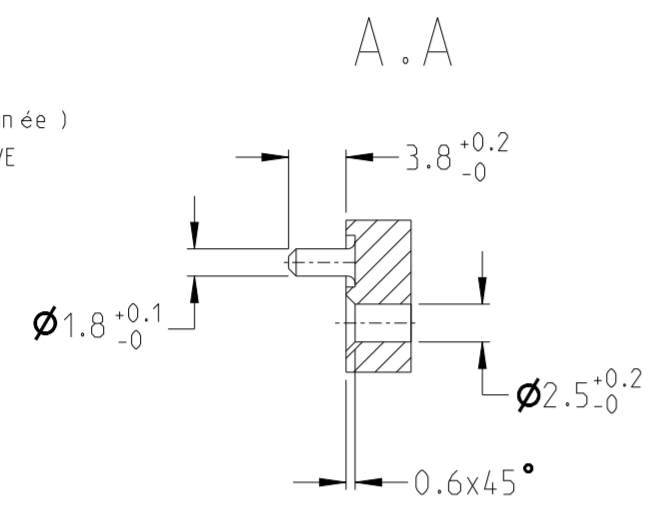


REVISIONS					
P	LTR	DESCRIPTION	DATE	DWN	APVD
J		UPDATE THE DRAWING AND ADD NEW P/N 1-953486-1	03MAR2020	RSP	J.L
K		PN 953486-6 OBSOLETED	23AUG2021	MN	GP

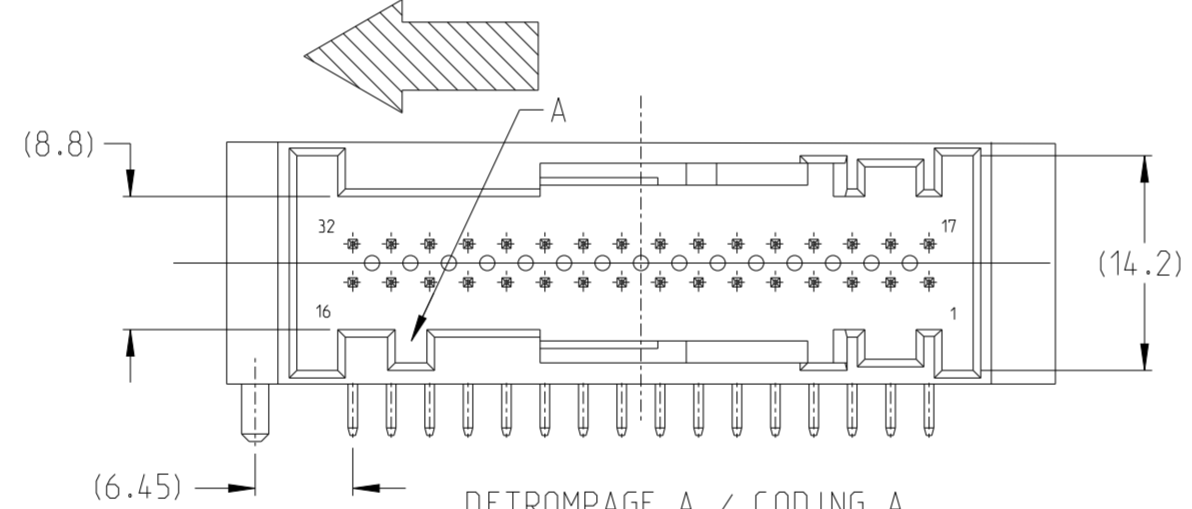
- NOTES:
- 1 DATE DE MOULAGE
  - 2 LOGO DE TE
  - 3 REFERENCE DU PRODUIT ASSEMBLE
  - 4 N° D'EMPREINTE DU MOULE
  - 5 REVISION DU MOULE
  - 6 MATIERE
  - 7 CONTRE-PARTIE:  
CONNECTEUR REF.929053
  - 8 DATE D'ASSEMBLAGE  
(DD = Jour ; M = Mois ; Y = année )
  - 9 ZONE DE MARQUAGE ALTERNATIVE DE LA DATE D'ASSEMBLAGE.

- J 10 PLATEAU-CONDITIONNEMENT POUR OPERATION MANUELLE CONFORMEMENT A V-SPEC. V953486
- J 11 PLATEAU-CONDITIONNEMENT POUR OPERATION AUTOMATIQUE CONFORMEMENT A V-SPEC. V953486

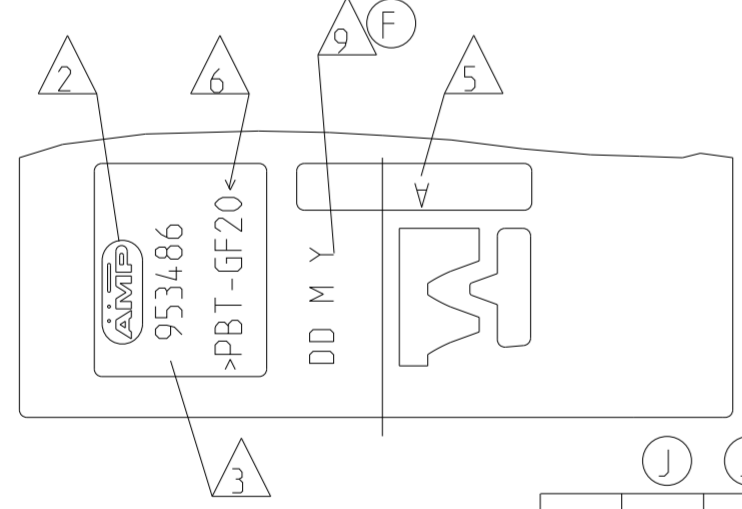
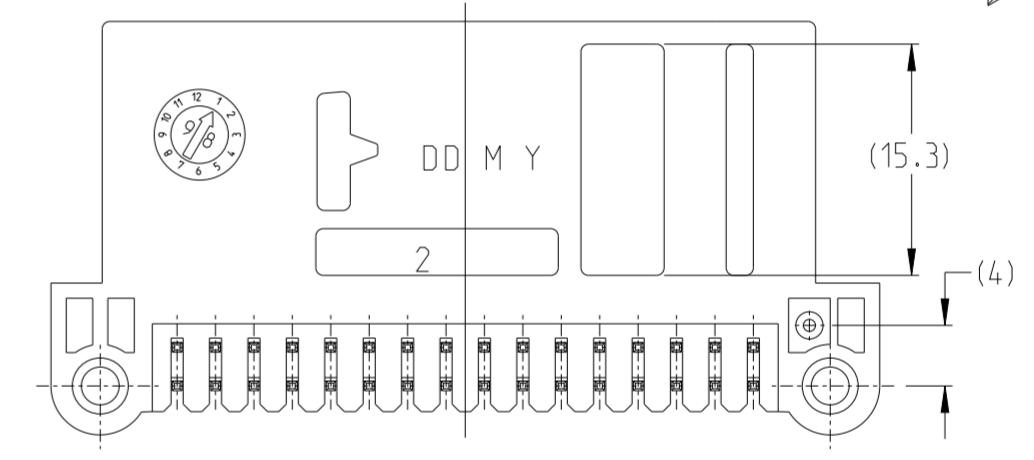


- NOTES:
- 1 HOUSING DATE CODE
  - 2 TE LOGO
  - 3 ASSY PART NUMBER
  - 4 CAVITY MARKING
  - 5 REVISION STATUS: [A] FOR PN953486-1, [-] FOR PN953486-2
  - 6 MATERIAL REFERENCE
  - 7 MATING PART:  
CONNECTOR PN 929053
  - 8 ASSY DATE CODE  
(DD = Day ; M = Month ; Y = Year )
  - 9 ALTERNATIVE AREA FOR ASSY DATE MARKING.
  - J 10 TRAY-PACKAGING FOR MANUAL OPERATION ACC. TO V-SPEC. V953486
  - J 11 TRAY-PACKAGING FOR AUTOMATIC OPERATION ACC. TO V-SPEC. V953486

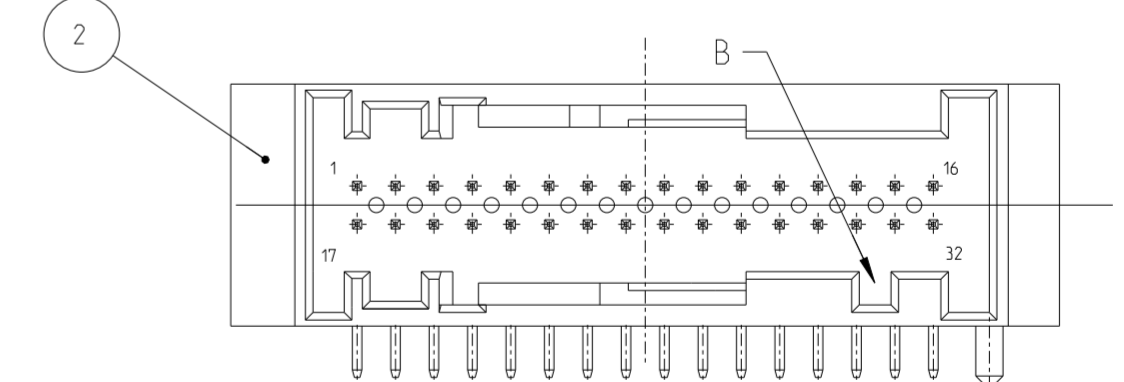
SORTIE FAISCEAU / WIRE EXIT



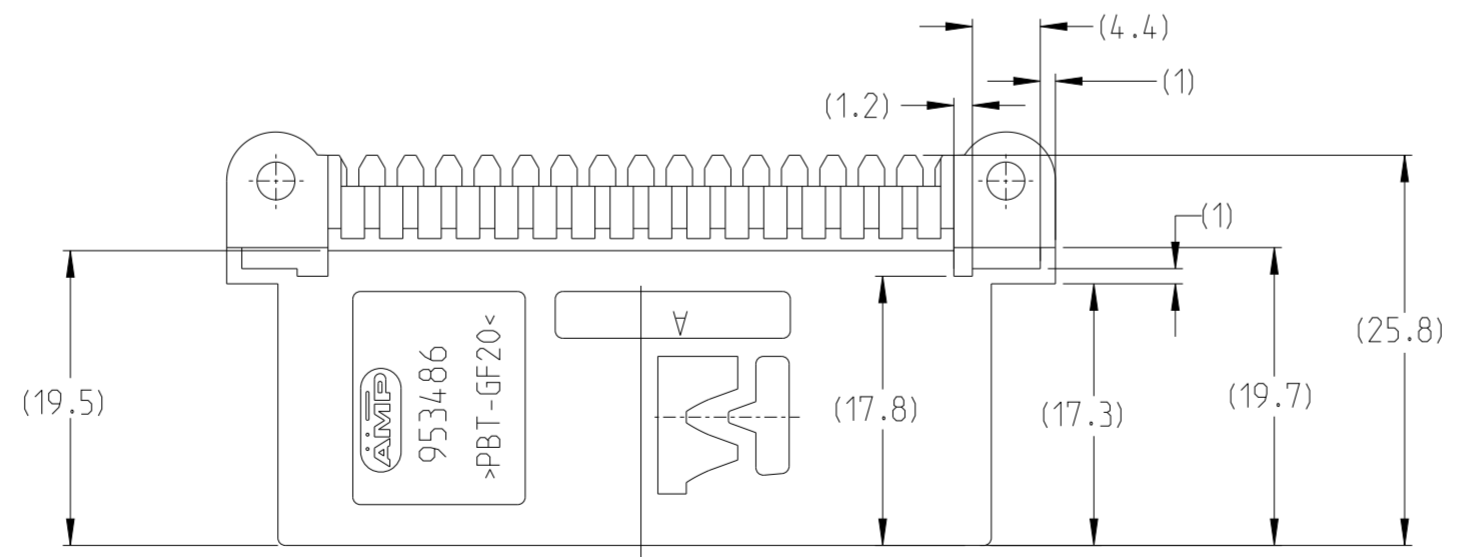
SORTIE FAISCEAU / WIRE EXIT



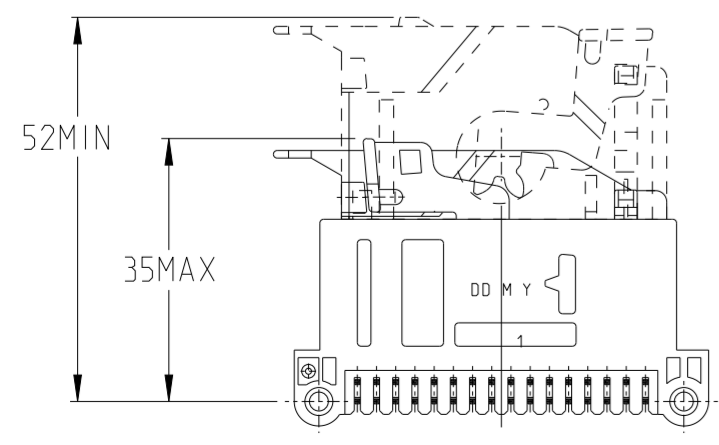
DETROMPAGE A / CODING A  
COULEUR: GRIS / COLOUR: GREY  
953486-1



DETROMPAGE B / CODING B  
COULEUR: BLEU / COLOUR: BLUE  
953486-2



DETROMPAGE A / CODING A  
PN 953486-1



ECHELLE 1:1 / SCALE 1:1

ASSY. PN	J 10	J 10	J 11				
953486-2				16	16	16	CuSn6
953486-1				16	16	16	CuSn6
1-953486-1				1	-	-	PBT GF20
				-	1	1	PBT GF20
				QTY			MATERIAL
							DESIGNATION / NAME
							COULEUR / COLOR
							ITEM

QTY	MATERIAL	DESIGNATION / NAME	COULEUR / COLOR	ITEM
16	CuSn6	MQS LONG CONTACT	POST ETAME / POST TIN	4
16	CuSn6	MQS SHORT CONTACT	POST ETAME / POST TIN	3
1	PBT GF20	BOITIER / HOUSING	BLEU / BLUE	2
-	PBT GF20	BOITIER / HOUSING	GRIS / GREY	1

THIS DRAWING IS A CONTROLLED DOCUMENT.

DIMENSIONS: mm

TOLERANCES UNLESS OTHERWISE SPECIFIED:

0-PLC	±
1-PLC	±0.3
2-PLC	±
3-PLC	±
4-PLC	±
ANGLES	±5°
FINISH	-

DWN	J.LAQUERBE	01JUL98	 TE Connectivity	NAME EMBASE 32V MQS COUDEE AVEC OREILLES 32W MQS RIGHT ANGLE HEADER WITH EARS		
CHK	J.LAQUERBE	18JUN99				
APVD	J.JREVI	18JUN99				
PRODUCT SPEC	108-15211					
APPLICATION SPEC	-	-	SIZE	CAGE CODE	DRAWING NO	RESTRICTED TO
WEIGHT	10.7 g	A2	00779	C-953486	-	-
CUSTOMER DRAWING	SCALE	2:1	SHEET	1 OF 7	REV	K

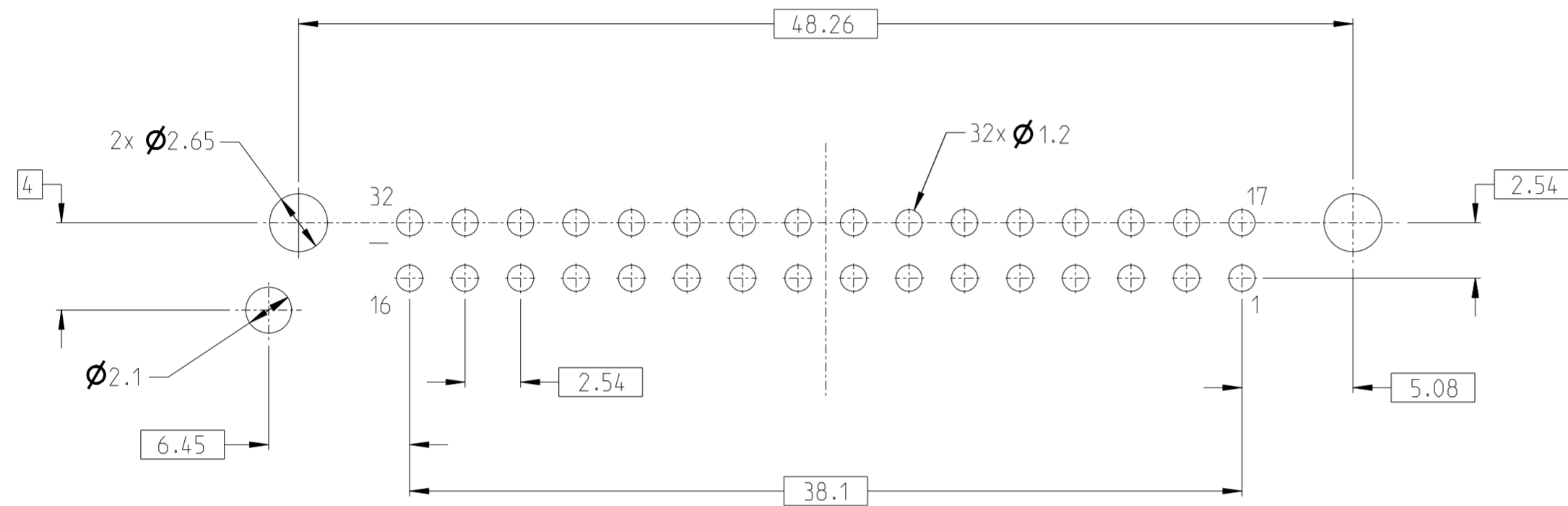
P	LTR	DESCRIPTION	DATE	DWN	APVD
-	-	SEE SHEET 1	-	-	-

RECOMMANDATION IMPLANTATION CI

RECOMMENDED PCB LAYOUT

VUE DE DESSUS / VIEW FROM HEADER MOUNTING SIDE

EPAISSEUR CI / PCB THICKNESS : 1.6 ±0.15



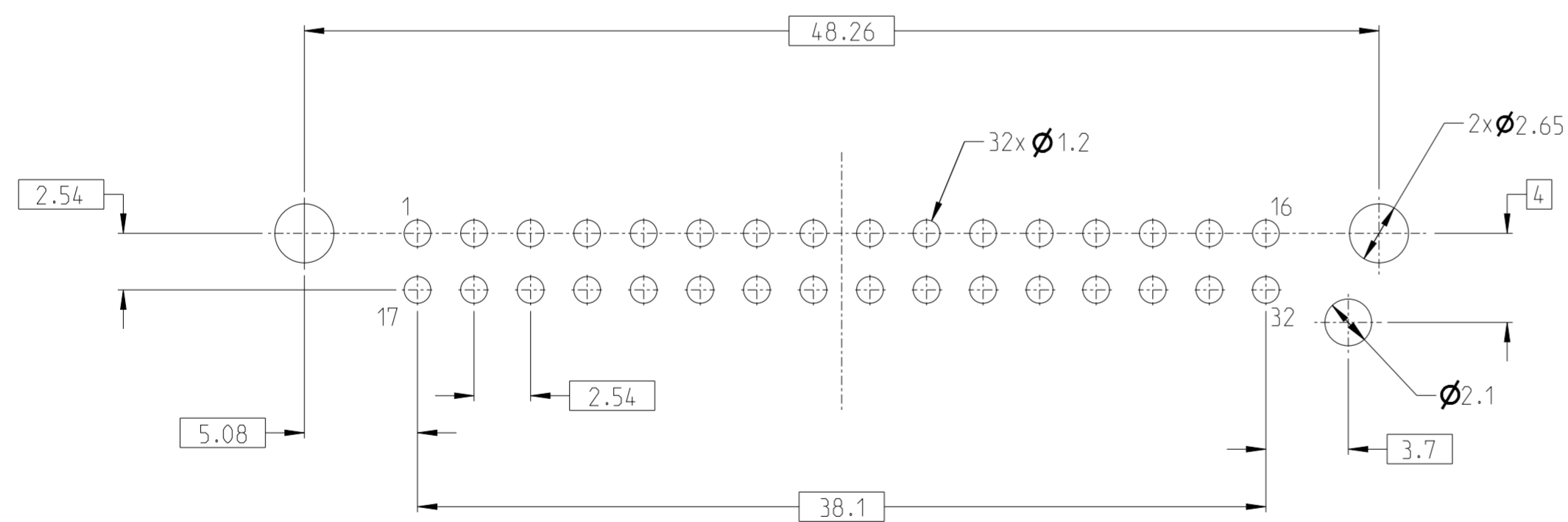
COULEUR: GRIS / COLOUR: GREY

953486-1

2-953486-1

COULEUR: BLEU / COLOUR: BLUE

953486-4



COULEUR: BLEU / COLOUR: BLUE

953486-2

2-953486-2

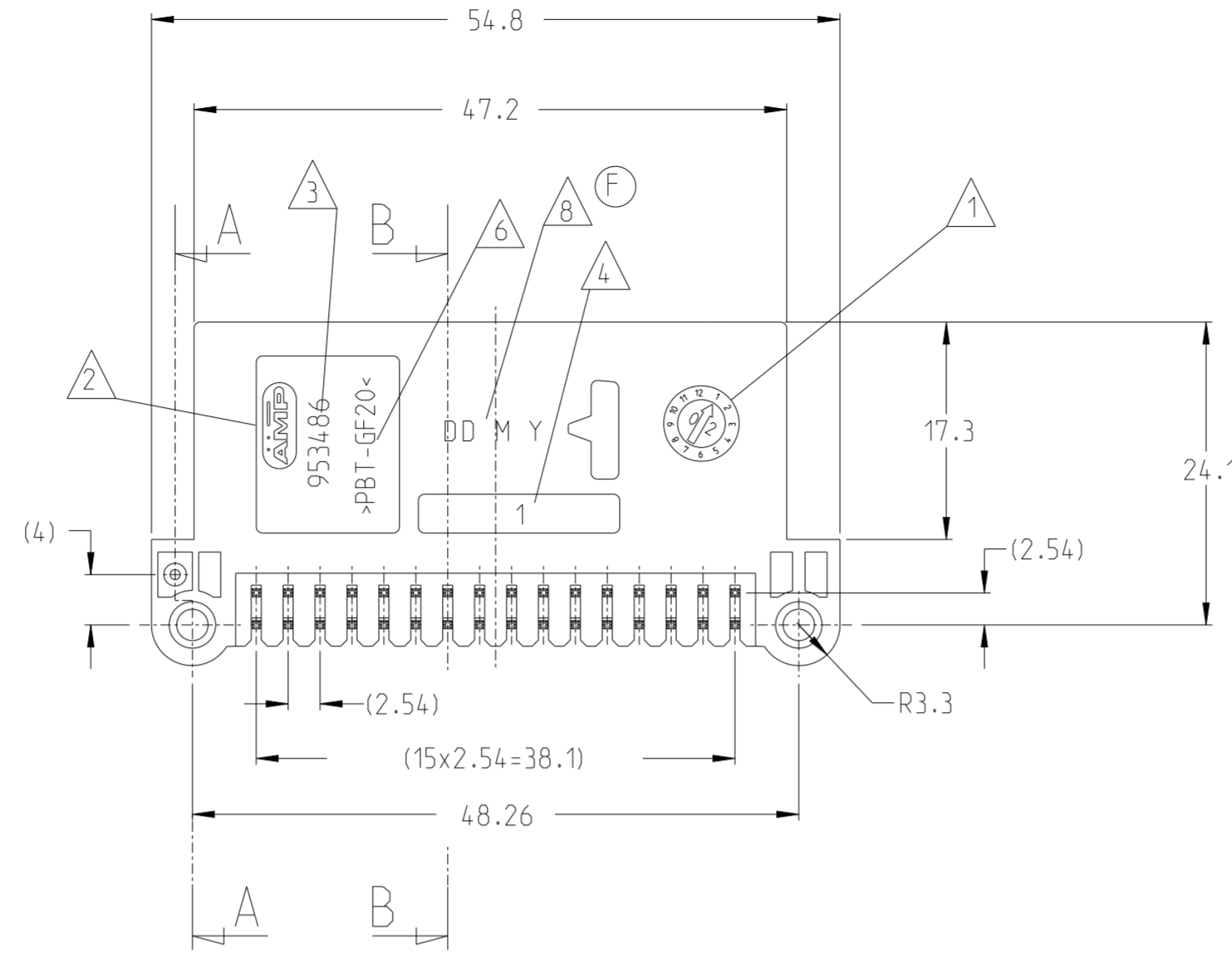
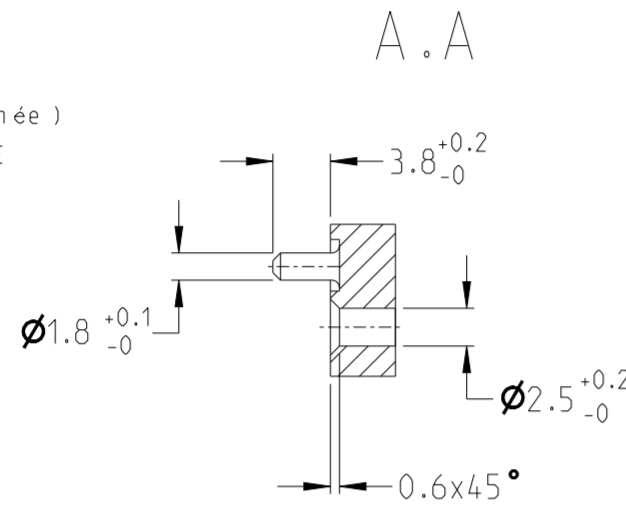
THIS DRAWING IS A CONTROLLED DOCUMENT.		DWN J.LAQUERBE 01JUL98	TE Connectivity		
DIMENSIONS: mm		CHK J.LAQUERBE 18JUN99			
TOLERANCES UNLESS OTHERWISE SPECIFIED:		APVD J.LAQUERBE 18JUN99	NAME EMBASE 32V MQS COUDEE AVEC OREILLES 32W MQS RIGHT ANGLE HEADER WITH EARS		
0-PEC ± 1-PEC ±0.3 2-PEC ± 3-PEC ± 4-PEC ± ANGLES ±5° FINISH -		PRODUCT SPEC 108-15211	RESTRICTED TO		
MATERIAL		APPLICATION SPEC -	SIZE A2	CAGE CODE 00779	DRAWING NO C-953486
		WEIGHT 10.7 g	SCALE 2:1	SHEET 2 OF 7	REV K
		CUSTOMER DRAWING			



P	LTR	DESCRIPTION	DATE	DWN	APVD
-	-	SEE SHEET 1	-	-	-

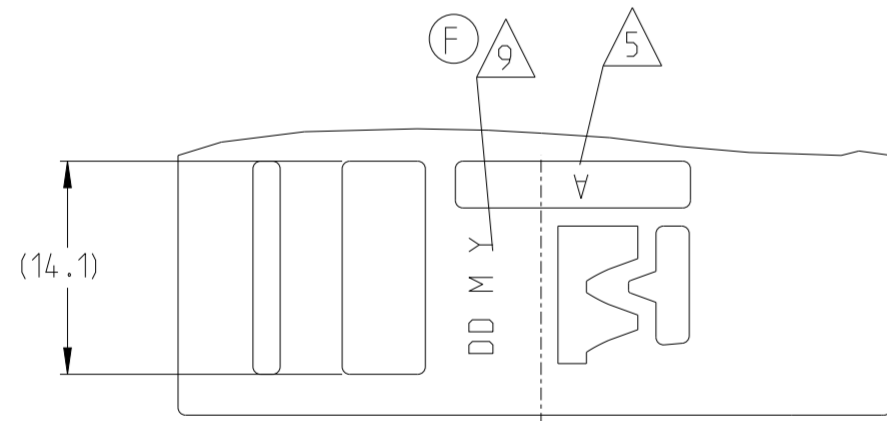
NOTES:

- 1 DATE DE MOULAGE
- 2 LOGO DE TE
- 3 REFERENCE DU PRODUIT ASSEMBLE
- 4 N° D'EMPREINTE DU MOULE
- 5 REVISION DU MOULE
- 6 MATIERE
- 7 CONTRE-PARTIE:  
CONNECTEUR REF. 1326140
- 8 DATE D'ASSEMBLAGE  
(DD = Jour ; M = Mois ; Y = année)
- 9 ZONE DE MARQUAGE ALTERNATIVE  
DE LA DATE D'ASSEMBLAGE.

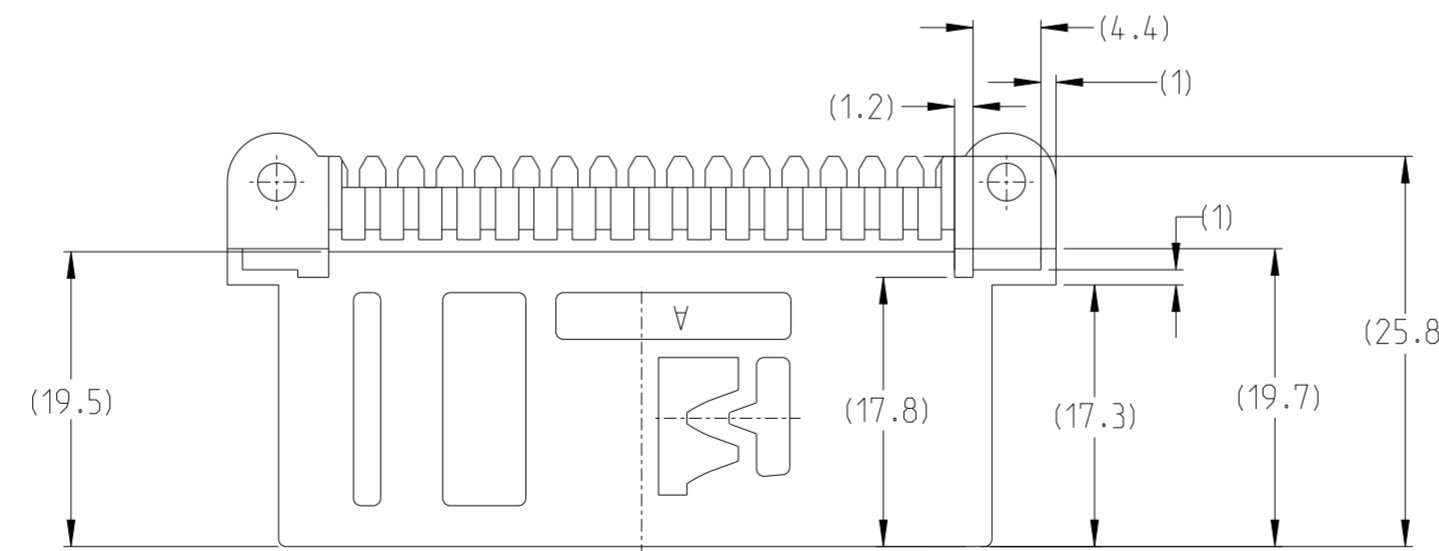
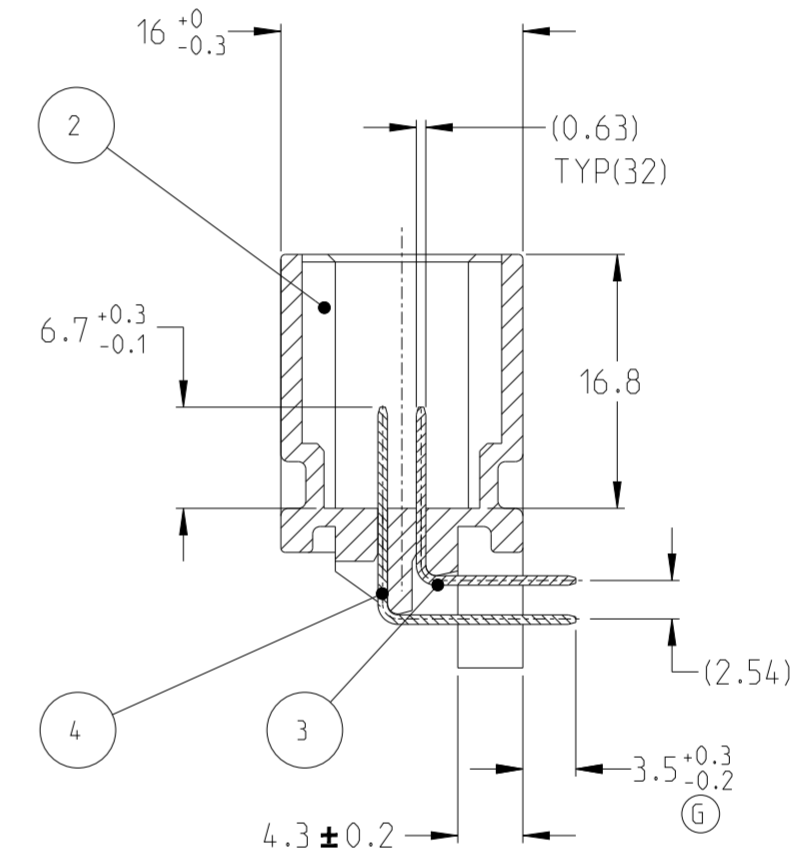
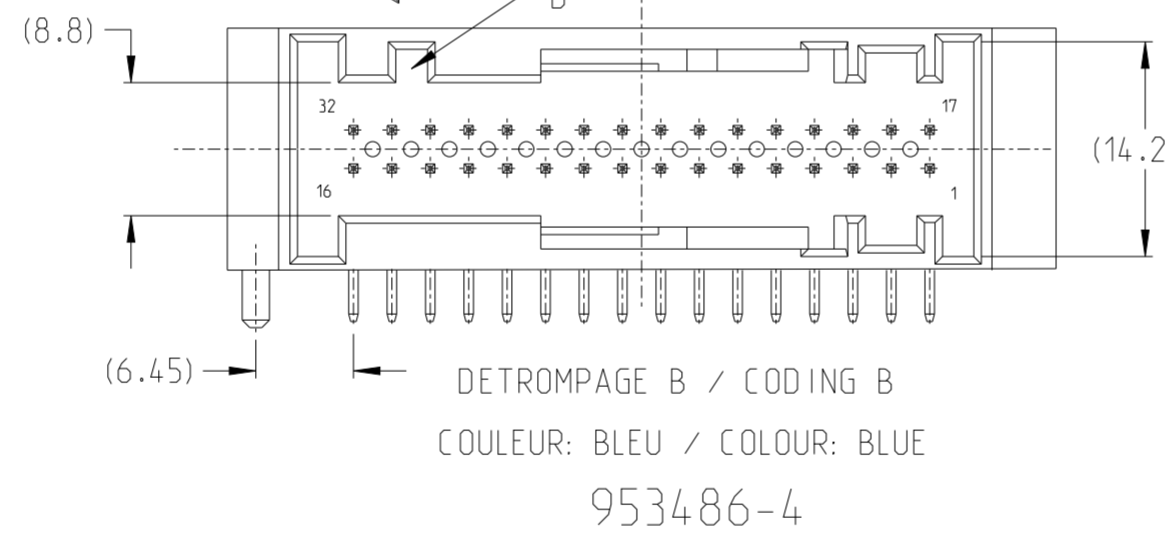


NOTES:

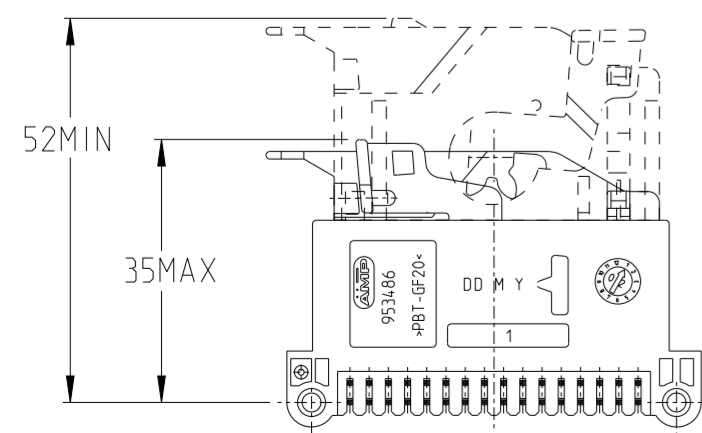
- 1 HOUSING DATE CODE
- 2 TE LOGO
- 3 ASSY PART NUMBER
- 4 CAVITY MARKING
- 5 REVISION STATUS [A]
- 6 MATERIAL REFERENCE
- 7 MATING PART:  
CONNECTOR PN 1326140
- 8 ASSY DATE CODE  
(DD = Day ; M = Month ; Y = Year)
- 9 ALTERNATIVE AREA FOR ASSY DATE MARKING.



SORTIE FAISCEAU / WIRE EXIT



DETROMPAGE B/ CODING B  
PN 953486-4



ECHELLE 1:1 / SCALE 1:1

QTY	MATERIAL	DESIGNATION / NAME	COULEUR / COLOR	ITEM
16	CuSn6	MQS LONG CONTACT	POST ETAME / POST TIN	4
16	CuSn6	MQS SHORT CONTACT	POST ETAME / POST TIN	3
1	PBT GF20	BOITIER / HOUSING	BLEU / BLUE	2
-	-	-	-	1

THIS DRAWING IS A CONTROLLED DOCUMENT.	
DIMENSIONS: mm	TOLERANCES UNLESS OTHERWISE SPECIFIED:
0-PLC	±
1-PLC	±0.3
2-PLC	±
3-PLC	±
4-PLC	±
ANGLES	±5°
MATERIAL	FINISH

CHK	J. LAQUERBE	18 JUN 99
APVD	J. REVI	18 JUN 99
PRODUCT SPEC	108-15211	
APPLICATION SPEC		
WEIGHT	10.7 g	
CUSTOMER DRAWING		

		TE Connectivity	
NAME: EMBASE 32V MQS COUDEE AVEC OREILLES 32W MQS RIGHT ANGLE HEADER WITH EARS			
SIZE	CAGE CODE	DRAWING NO	RESTRICTED TO
A2	00779	C-953486	-
SCALE 2:1		SHEET 4 OF 7	REV K

4 3 2 1

© 2021 TE Connectivity. All Rights Reserved.

NOTES:

- 1 DATE DE MOULAGE
- 2 LOGO DE TE
- 3 REFERENCE DU PRODUIT ASSEMBLE
- 4 N° D'EMPREINTE DU MOULE
- 5 REVISION DU MOULE
- 6 MATIERE
- 7 CONTRE-PARTIE:  
CONNECTEUR REF.929053
- 8 DATE D'ASSEMBLAGE  
(DD = Jour ; M = Mois ; Y = année )
- 9 ZONE DE MARQUAGE ALTERNATIVE  
DE LA DATE D'ASSEMBLAGE.

REVISIONS					
P	LTR	DESCRIPTION	DATE	DWN	APVD
-	-	SEE SHEET 1	-	-	-

NOTES:

- 1 HOUSING DATE CODE
- 2 TE LOGO
- 3 ASSY PART NUMBER
- 4 CAVITY MARKING
- 5 REVISION STATUS   FOR PN953486-3
- 6 MATERIAL REFERENCE
- 7 MATING PART:  
CONNECTOR PN 929053
- 8 ASSY DATE CODE  
(DD = Day ; M = Month ; Y = Year )
- 9 ALTERNATIVE AREA FOR ASSY DATE MARKING.

SORTIE FAISCEAU / WIRE EXIT

DETROMPAGE A / CODING A  
COULEUR: GRIS / COLOUR: GREY  
953486-3

RECOMMANDATION IMPLANTATION C1  
RECOMMENDED PCB LAYOUT

VUE DE DESSUS / VIEW FROM HEADER MOUNTING SIDE

EPAISSEUR C1 / PCB THICKNESS : 1.6±0.15

COULEUR: GRIS / COLOUR: GREY  
953486-3

DETROMPAGE A / CODING A  
953486-3

ECHELLE 1:1 / SCALE 1:1

ASSY. PN	QTY	MATERIAL	DESIGNATION / NAME	COULEUR / COLOR	ITEM
953486-3	-	CuSn6	MQS LONG CONTACT	ETAME / TIN	3
953486-3	-	CuSn6	MQS SHORT CONTACT	ETAME / TIN	2
953486-3	-	PBT GF20	BOITIER / HOUSING (VERSION AVEC 2 PIONS / WITH 2 PINS KEYING VERSION)	GRIS / GREY	1

THIS DRAWING IS A CONTROLLED DOCUMENT.

DIMENSIONS: mm

TOLERANCES UNLESS OTHERWISE SPECIFIED:

0-PLC	±
1-PLC	±0.3
2-PLC	±
3-PLC	±
4-PLC	±
ANGLES	±5°
FINISH	-

MATERIAL: -

DWN	J.J. LAQUERBE	01JUL98
CHK	J.J. LAQUERBE	18JUN99
APVD	J.J. REVI	18JUN99
PRODUCT SPEC	108-15211	
APPLICATION SPEC	-	
WEIGHT	10.7 g	

**STE** TE Connectivity

NAME: EMBASE 32V MQS COUDEE AVEC OREILLES  
32W MQS RIGHT ANGLE HEADER WITH  
EARS

SIZE	CAGE CODE	DRAWING NO	RESTRICTED TO
A2	00779	953486	-

SCALE 2:1 SHEET 5 OF 7 REV K

1471-9 (3/13)

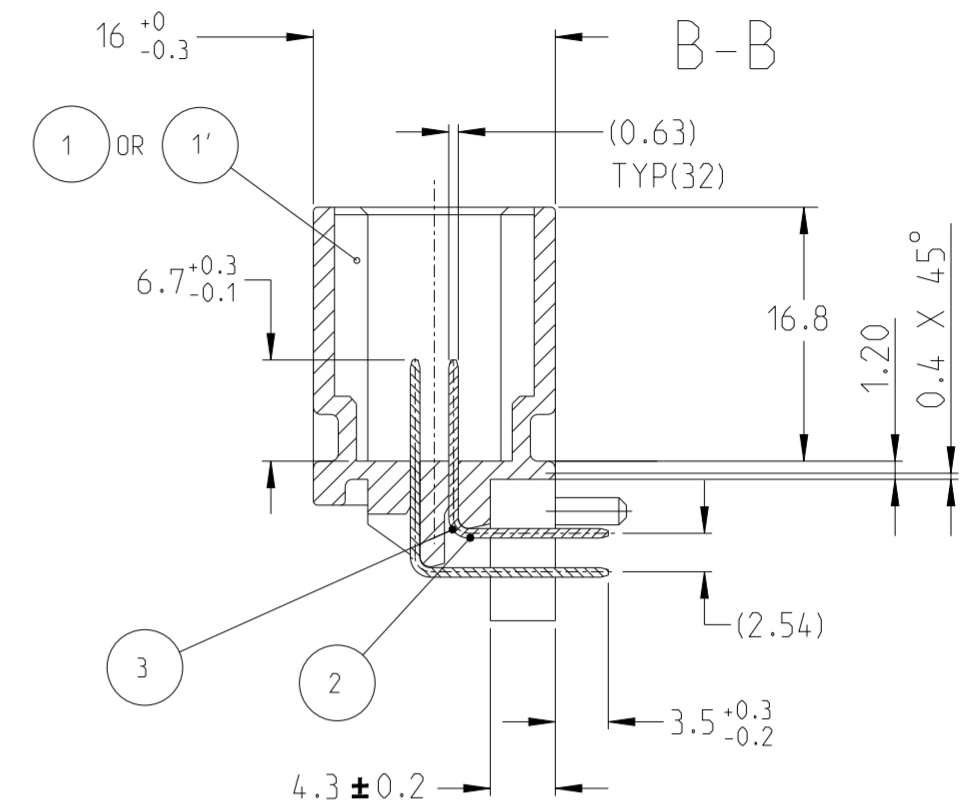
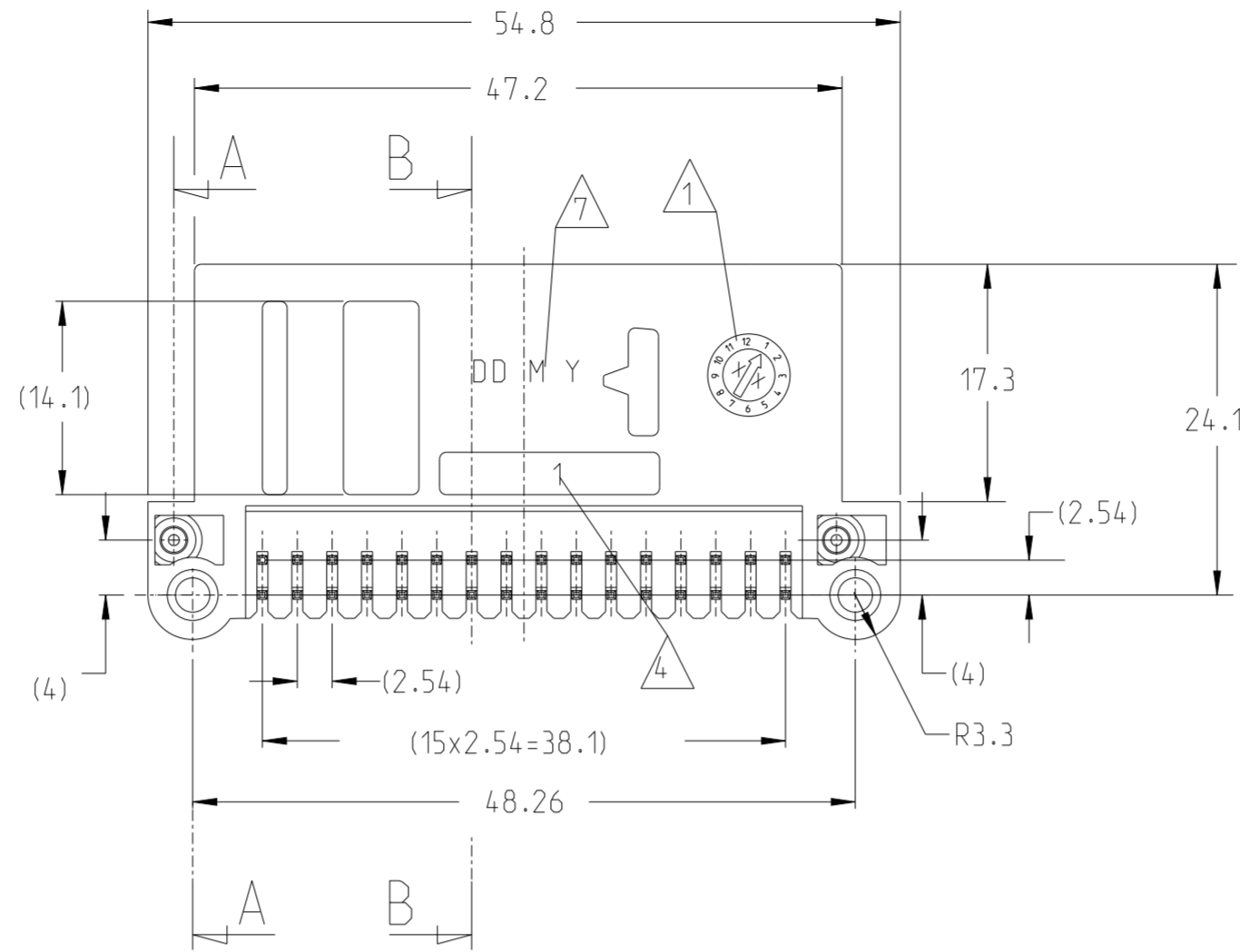
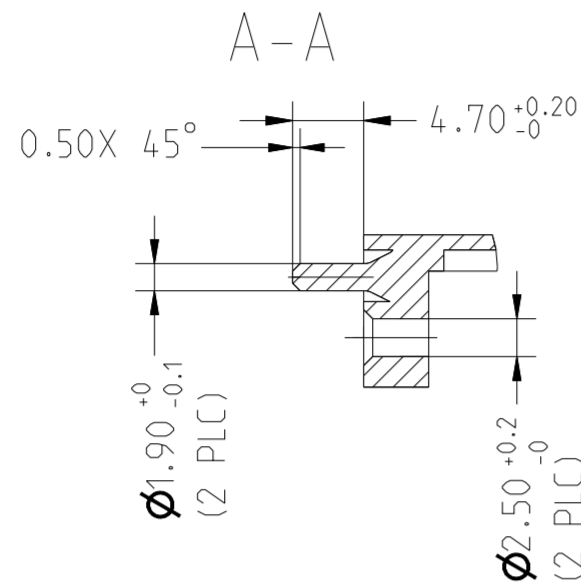
Downloaded From [Onezac.com](http://Onezac.com)



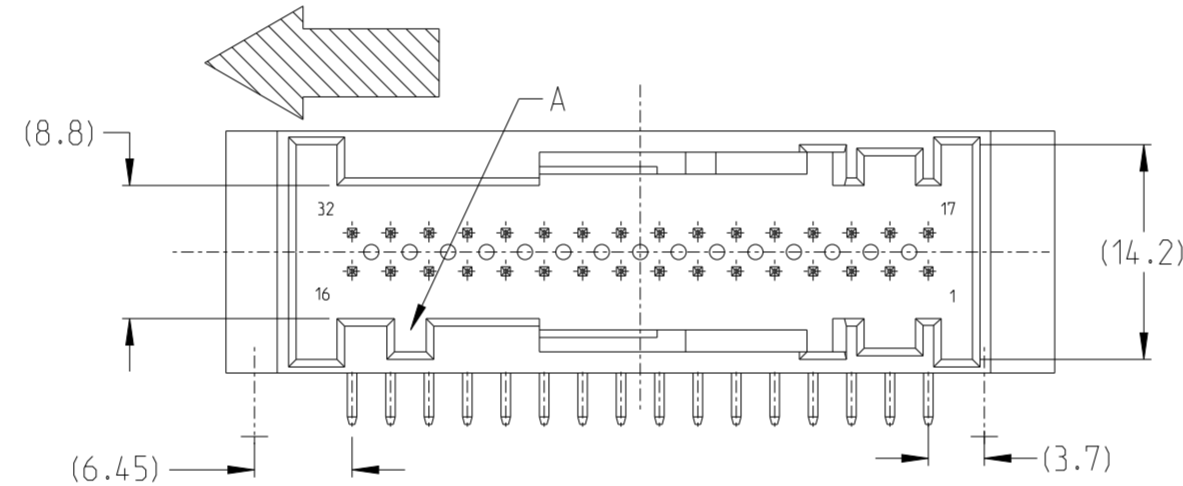
REVISIONS					
P	LTR	DESCRIPTION	DATE	DWN	APVD
-	-	SEE SHEET 1	-	-	-

- NOTES:
- 1 DATE DE MOULAGE
  - 2 LOGO DE TE
  - 3 REFERENCE DU PRODUIT ASSEMBLE
  - 4 N° D'EMPREINTE DU MOULE
  - 5 MATIERE
  - 6 CONTRE-PARTIE:  
CONNECTEUR REF.929053
  - 7 DATE D'ASSEMBLAGE  
(DD = Jour ; M = Mois ; Y = année)
  - 8 ZONE DE MARQUAGE ALTERNATIVE  
DE LA DATE D'ASSEMBLAGE.

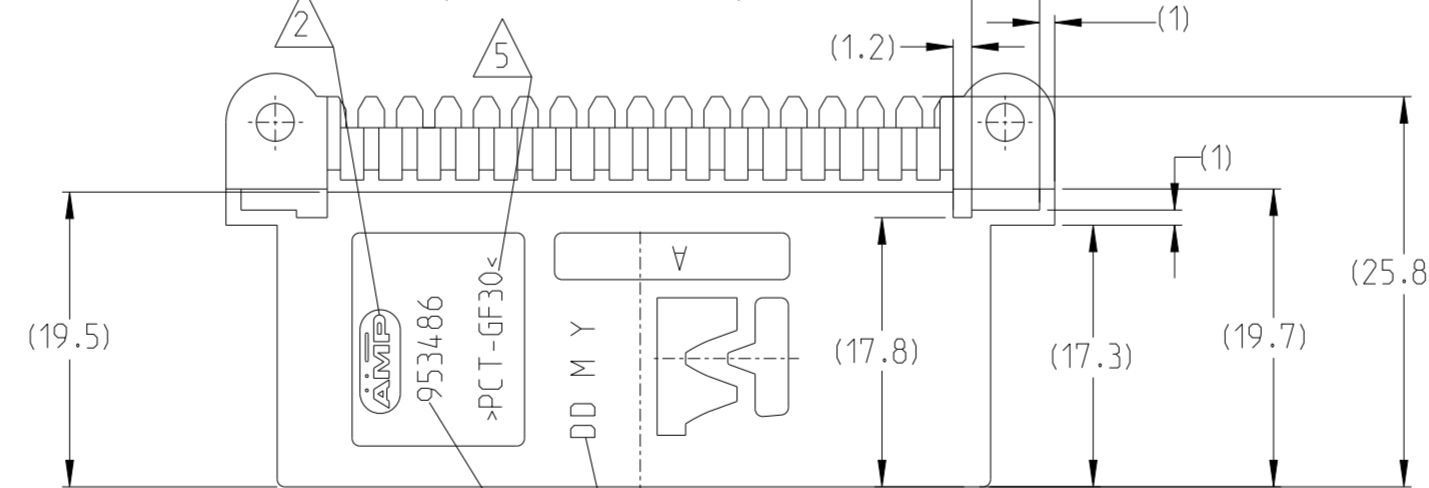
- NOTES:
- 1 HOUSING DATE CODE
  - 2 TE LOGO
  - 3 ASSY PART NUMBER
  - 4 CAVITY MARKING
  - 5 MATERIAL REFERENCE
  - 6 MATING PART:  
CONNECTOR PN 929053
  - 7 ASSY DATE CODE  
(DD = Day ; M = Month ; Y = Year)
  - 8 ALTERNATIVE AREA FOR ASSY DATE MARKING.



SORTIE FAISCEAU / WIRE EXIT

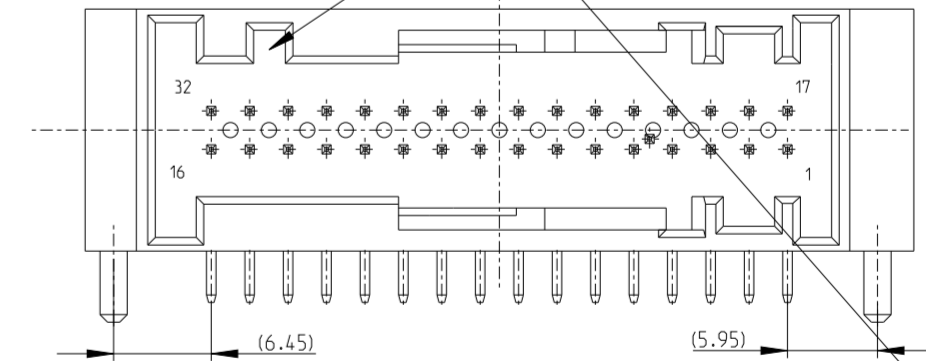


953486-5  
DETROMPAGE A / CODING A  
(GRIS / GREY)



**OBSOLETE**

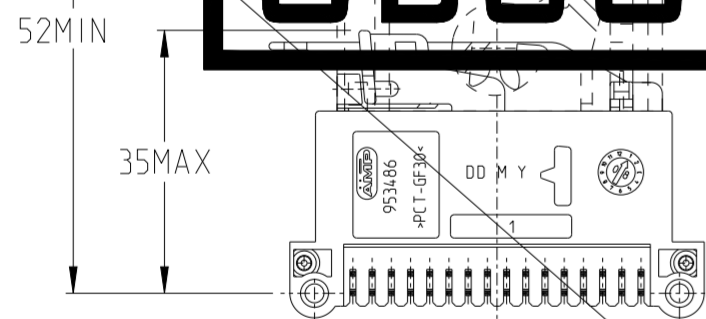
SORTIE FAISCEAU / WIRE EXIT



953486-6  
DETROMPAGE B / CODING B  
(BLEU / BLUE)

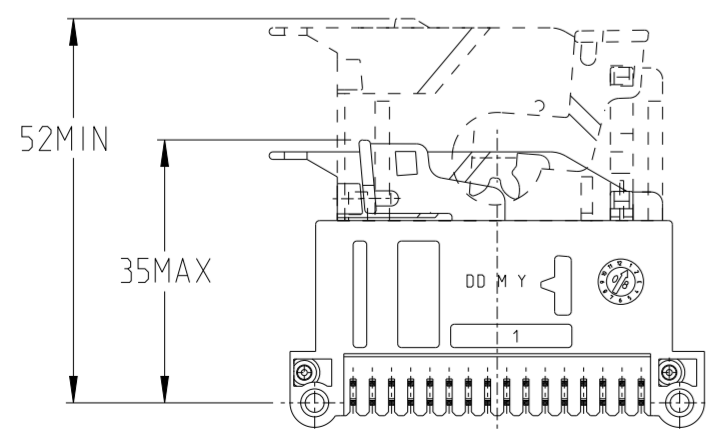
DETROMPAGE B / CODING B  
PN 953486-6

**OBSOLETE**



ECHELLE 1:1 / SCALE 1:1

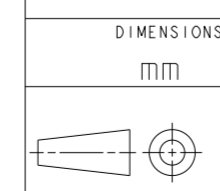
DETROMPAGE A / CODING A  
PN 953486-5



ECHELLE 1:1 / SCALE 1:1

ASSY. PN	QTY	MATERIAL	DESIGNATION / NAME	COULEUR / COLOR	ITEM
953486-6	16	CuSn6	MQS LONG CONTACT	ETAME / TIN	3
953486-5	16		MQS SHORT CONTACT	BLEU / BLUE	2
	1	PCT GF30	BOITIER / HOUSING (VERSION AVEC 2 PIONS / WITH 2 PINS KEYING VERSION)	BLEU / BLUE	1'
	1		BOITIER / HOUSING (VERSION AVEC 2 PIONS / WITH 2 PINS KEYING VERSION)	GRIS / GREY	1

THIS DRAWING IS A CONTROLLED DOCUMENT.



MATERIAL

DIMENSIONS:	TOLERANCES UNLESS OTHERWISE SPECIFIED:
mm	0-PLC ±
	1-PLC ±0.3
	2-PLC ±
	3-PLC ±
	4-PLC ±
ANGLES	±5°
FINISH	

DWN	J.LAQUERBE	01JUL98
CHK	J.LAQUERBE	18JUN99
APVD	J.JREVI	18JUN99
PRODUCT SPEC	108-15211	
APPLICATION SPEC		
WEIGHT	10.7 g	
CUSTOMER DRAWING		

**STE** TE Connectivity

NAME: EMBASE 32V MQS COUDEE AVEC OREILLES  
32W MQS RIGHT ANGLE HEADER WITH EARS

SIZE	CAGE CODE	DRAWING NO	RESTRICTED TO
A2	00779	953486	-

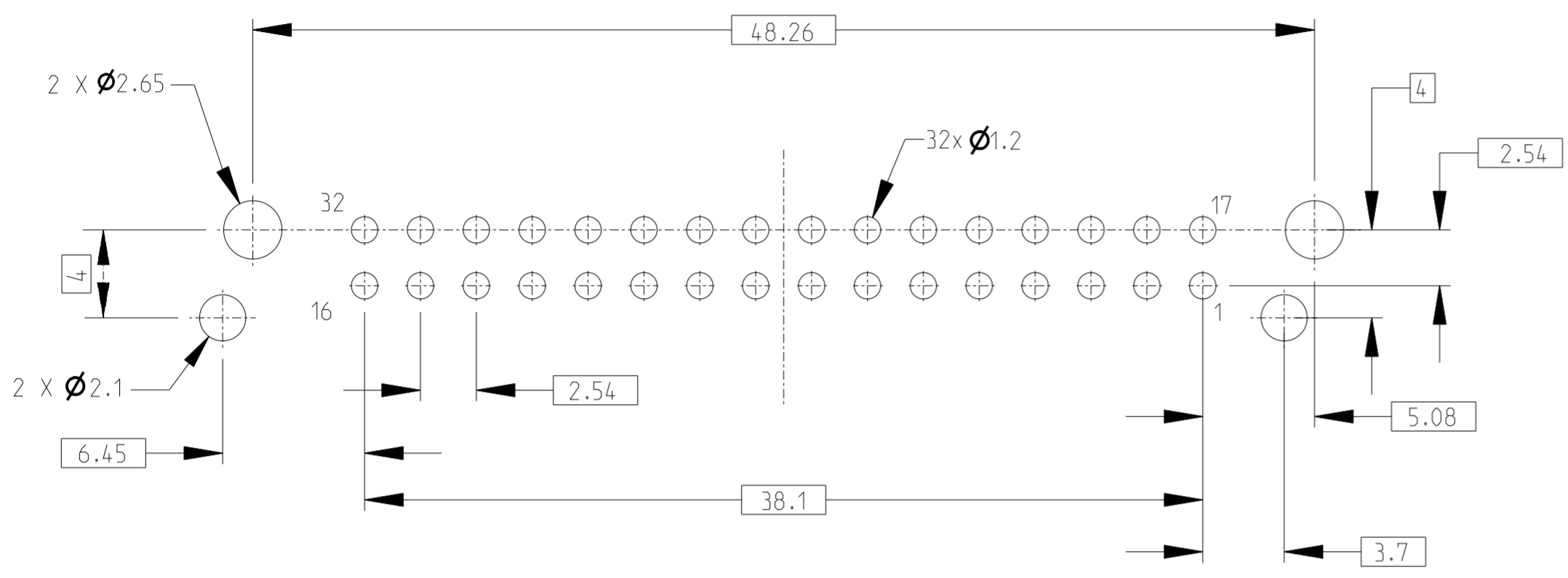
SCALE 2:1 SHEET 6 OF 7 REV K

P	LTR	DESCRIPTION	DATE	DWN	APVD
-		SEE SHEET 1	-	-	-

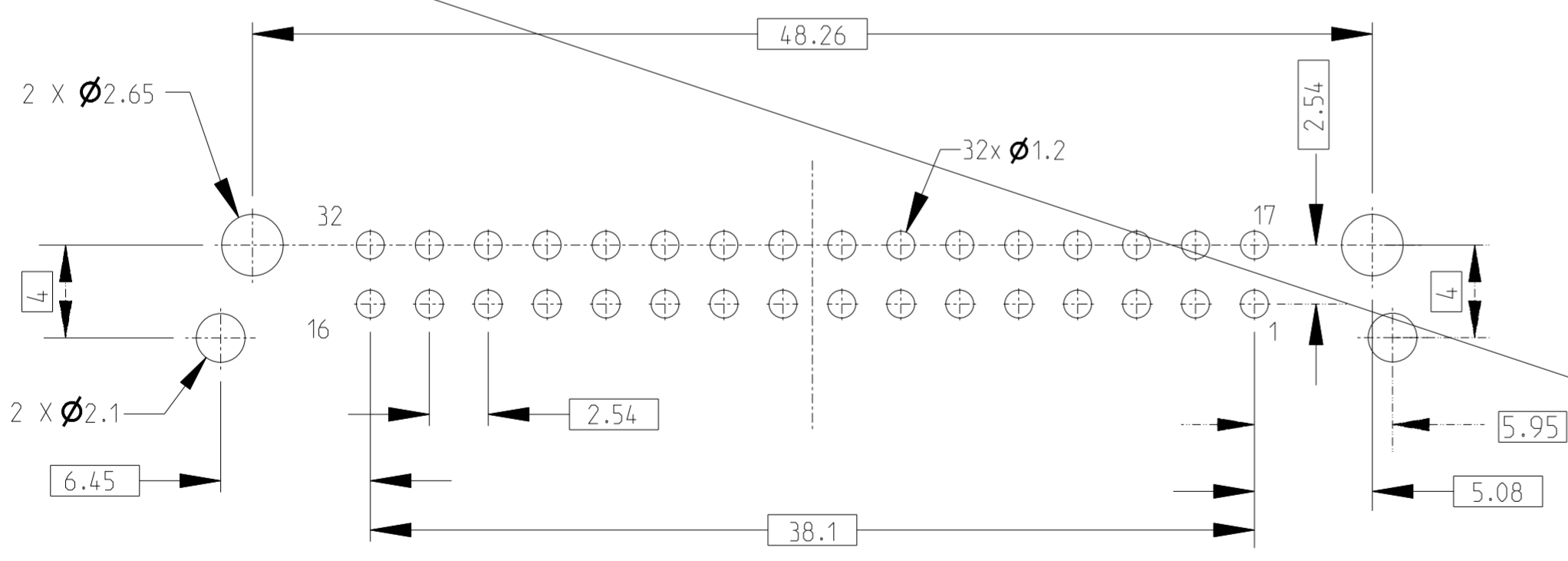
RECOMMANDATION IMPLANTATION CI  
 RECOMMENDED PCB LAYOUT  
 VUE DE DESSUS / VIEW FROM HEADER MOUNTING SIDE  
 EPAISSEUR CI / PCB THICKNESS : 1.6 ±0.15

P/N ASS'Y  
 REF. ASSEMBLEE


953486-5  
 (GRIS / GREY)



**OBSOLETE**



953486-6  
 (BLEU / BLUE)

THIS DRAWING IS A CONTROLLED DOCUMENT.		DWN J.LAQUERBE 01JUL98	 TE Connectivity	
DIMENSIONS: mm		CHK J.LAQUERBE 18JUN99		
TOLERANCES UNLESS OTHERWISE SPECIFIED: 0-PLC ± 1-PLC ±0.3 2-PLC ± 3-PLC ± 4-PLC ± ANGLES ±5° FINISH		APVD J.J.REVI 18JUN99	NAME EMBASE 32V MQS COUDEE AVEC OREILLES 32W MQS RIGHT ANGLE HEADER WITH EARS	
MATERIAL -		PRODUCT SPEC 108-15211	SIZE A2	CAGE CODE 00779
		APPLICATION SPEC -	DRAWING NO C-953486	RESTRICTED TO -
		WEIGHT 10.7 g	SCALE 2:1	SHEET 7 OF 7
		CUSTOMER DRAWING	REV K	

单击下面可查看定价，库存，交付和生命周期等信息

[>>TE Connectivity\(泰科\)](#)