

4

3

2

1

THIS DRAWING IS UNPUBLISHED. RELEASED FOR PUBLICATION 20
 © COPYRIGHT 20 BY - ALL RIGHTS RESERVED.

REVISIONS				
P	LTR	DESCRIPTION	DATE	APVD
A		INITIAL	30DEC2016	DL CW
A1		ECR-16-018258	30DEC2016	BS CW
B		ECR-18-016391	22OCT2018	GY CW
C		ECR-20-014876	21JUL2021	WOR CW

TYPE I: HIGH CONSTRUCTION + STATINLESS STEEL LOCKING.
 类型 I: 高结构+不锈钢双扣.

NOTES:

1. TECHNICAL CHARACTERISTICS:
 HOUSING MATERIAL: DIE CAST ALUMINIUM ALLOY
 HOUSING SURFACE: POWDER COATED, GREY
 DEGREE OF PROTECTION: IP65 (MATED)

注释:

1. 技术参数:
 下壳材料: 铝合金
 下壳表面处理: 灰色粉末喷涂
 防护等级: IP65(配合)

PG/M
THREAD-2
螺纹孔-2

T1470241121-000	H24B-SGRHS-PG21	H24B HOUSING, SURFACE MOUNTED, STAINLESS STEEL DOUBLE LOCKING, PG21, HIGH CONSTRUCTION, POWDER COATED, GREY H24B下壳, 表面安装, 不锈钢双扣, PG21, 高结构, 灰色粉末喷涂	PG21	-	TYPE I 类型 I
T1470241129-000	H24B-SGRHS-PG29	H24B HOUSING, SURFACE MOUNTED, STAINLESS STEEL DOUBLE LOCKING, PG29, HIGH CONSTRUCTION, POWDER COATED, GREY H24B下壳, 表面安装, 不锈钢双扣, PG29, 高结构, 灰色粉末喷涂	PG29	-	
T1470241132-000	H24B-SGRHS-M32	H24B HOUSING, SURFACE MOUNTED, STAINLESS STEEL DOUBLE LOCKING, M32, HIGH CONSTRUCTION, POWDER COATED, GREY H24B下壳, 表面安装, 不锈钢双扣, M32, 高结构, 灰色粉末喷涂	M32	-	
T1470241221-000	H24B-SGRHS-2PG21	H24B HOUSING, SURFACE MOUNTED, STAINLESS STEEL DOUBLE LOCKING, 2PG21, HIGH CONSTRUCTION, POWDER COATED, GREY H24B下壳, 表面安装, 不锈钢双扣, 2PG21, 高结构, 灰色粉末喷涂	PG21	PG21	
T1470241229-000	H24B-SGRHS-2PG29	H24B HOUSING, SURFACE MOUNTED, STAINLESS STEEL DOUBLE LOCKING, 2PG29, HIGH CONSTRUCTION, POWDER COATED, GREY H24B下壳, 表面安装, 不锈钢双扣, 2PG29, 高结构, 灰色粉末喷涂	PG29	PG29	
T1470241232-000	H24B-SGRHS-2M32	H24B HOUSING, SURFACE MOUNTED, STAINLESS STEEL DOUBLE LOCKING, 2M32, HIGH CONSTRUCTION, POWDER COATED, GREY H24B下壳, 表面安装, 不锈钢双扣, 2M32, 高结构, 灰色粉末喷涂	M32	M32	
PART NUMBER 料号	PART DESCRIPTION 描述	PG/M THREAD-1 螺纹孔-1	PG/M THREAD-2 螺纹孔-2	TYPE 类型	

THIS DRAWING IS A CONTROLLED DOCUMENT.

DWN DAVID LI 17JUN2015

CHK CHRIS WANG 17JUN2015

APVD XU XIANG 17JUN2015

PRODUCT SPEC

108-137013

APPLICATION SPEC

114-137013

WEIGHT -

CUSTOMER DRAWING

NAME H24B-SGRHS-PG/M

SIZE A2

CAGE CODE -

DRAWING NO. C-T147024XXXX000

RESTRICTED TO

SCALE 4:5

SHEET 1 OF 2

REV C

DIMENSIONS:

mm

TOLERANCES UNLESS OTHERWISE SPECIFIED:

0 PLC ±

1 PLC ±

2 PLC ±

3 PLC ±

4 PLC ±

ANGLES ±

FINISH -

MATERIAL

TBD

-

-

-

-

-

-

-

-

TE Connectivity

1471-9 (3/13)

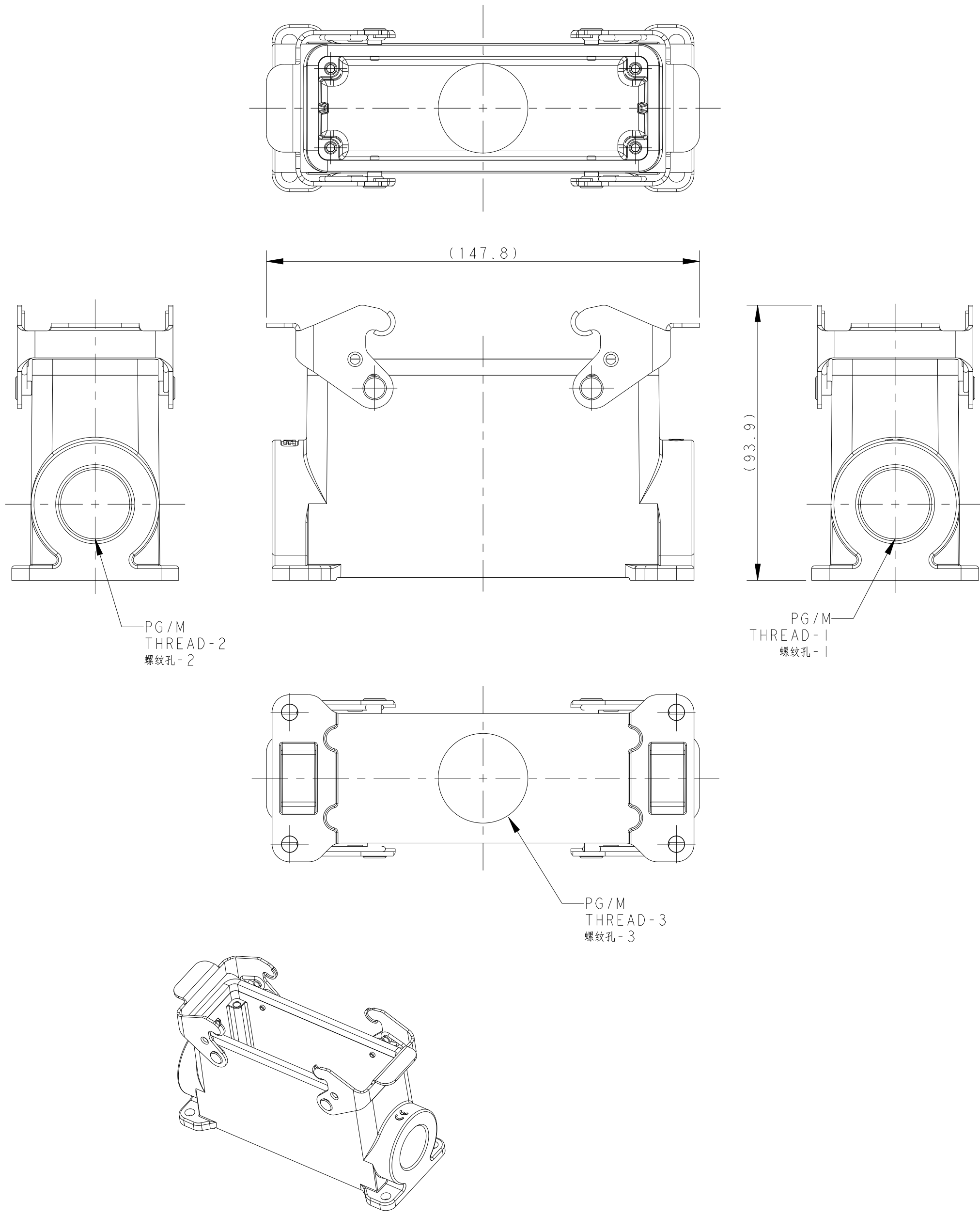
Downloaded From Onevac.com

THIS DRAWING IS UNPUBLISHED. RELEASED FOR PUBLICATION 20
 © COPYRIGHT 20 BY - ALL RIGHTS RESERVED.

REVISIONS					
P	LTR	DESCRIPTION	DATE	DWN	APVD
-		SEE SHEET 1	-	-	-

TYPE 2: HIGH CONSTRUCTION + STELL LOCKING, OTHER SPEC REFER TO TYPE 1.
 类型2: 高结构+彩锌双扣, 其他规格参照类型1.

NOTES:
SEE SHEET 1



PART NUMBER	PART DESCRIPTION	PG/M THREAD-1	PG/M THREAD-2	PG/M THREAD-3	TYPE
T1470242121-000	H24B-SGRH-PG21 H24B HOUSING, SURFACE MOUNTED, METAL DOUBLE LOCKING, PG21, HIGH CONSTRUCTION, POWDER COATED, GREY H24B下壳, 表面安装, 彩锌双扣, PG21, 高结构, 灰色粉末喷涂		PG21	-	-
T1470242125-000	H24B-SGRH-M25 H24B HOUSING, SURFACE MOUNTED, METAL DOUBLE LOCKING, M25, HIGH CONSTRUCTION, POWDER COATED, GREY H24B下壳, 表面安装, 彩锌双扣, M25, 高结构, 灰色粉末喷涂		M25	-	-
T1470242129-000	H24B-SGRH-PG29 H24B HOUSING, SURFACE MOUNTED, METAL DOUBLE LOCKING, PG29, HIGH CONSTRUCTION, POWDER COATED, GREY H24B下壳, 表面安装, 彩锌双扣, PG29, 高结构, 灰色粉末喷涂		PG29	-	-
T1470242132-000	H24B-SGRH-M32 H24B HOUSING, SURFACE MOUNTED, METAL DOUBLE LOCKING, M32, HIGH CONSTRUCTION, POWDER COATED, GREY H24B下壳, 表面安装, 彩锌双扣, M32, 高结构, 灰色粉末喷涂		M32	-	-
T1470242221-000	H24B-SGRH-2PG21 H24B HOUSING, SURFACE MOUNTED, METAL DOUBLE LOCKING, 2PG21, HIGH CONSTRUCTION, POWDER COATED, GREY H24B下壳, 表面安装, 彩锌双扣, 2PG21, 高结构, 灰色粉末喷涂		PG21	PG21	-
T1470242225-000	H24B-SGRH-2M25 H24B HOUSING, SURFACE MOUNTED, METAL DOUBLE LOCKING, 2M25, HIGH CONSTRUCTION, POWDER COATED, GREY H24B下壳, 表面安装, 彩锌双扣, 2M25, 高结构, 灰色粉末喷涂		M25	M25	-
T1470242229-000	H24B-SGRH-2PG29 H24B HOUSING, SURFACE MOUNTED, METAL DOUBLE LOCKING, 2PG29, HIGH CONSTRUCTION, POWDER COATED, GREY H24B下壳, 表面安装, 彩锌双扣, 2PG29, 高结构, 灰色粉末喷涂		PG29	PG29	-
T1470242232-000	H24B-SGRH-2M32 H24B HOUSING, SURFACE MOUNTED, METAL DOUBLE LOCKING, 2M32, HIGH CONSTRUCTION, POWDER COATED, GREY H24B下壳, 表面安装, 彩锌双扣, 2M32, 高结构, 灰色粉末喷涂		M32	M32	-
T1470242921-000	H24B-SGRH-PG21/PG29 H24B HOUSING, SURFACE MOUNTED, METAL DOUBLE LOCKING, PG21/PG29, HIGH CONSTRUCTION, POWDER COATED, GREY H24B下壳, 表面安装, 彩锌双扣, PG21/PG29, 高结构, 灰色粉末喷涂		PG21	PG29	-
T1470242932-000	H24B-SGRH-PG29/M32 H24B HOUSING, SURFACE MOUNTED, METAL DOUBLE LOCKING, PG29/M32, HIGH CONSTRUCTION, POWDER COATED, GREY H24B下壳, 表面安装, 彩锌双扣, PG29/M32, 高结构, 灰色粉末喷涂		PG29	M32	-
T1470243216-000	H24B-SGRH-M32/M16 H24B HOUSING, SURFACE MOUNTED, METAL DOUBLE LOCKING, M32/M16, HIGH CONSTRUCTION, POWDER COATED, GREY H24B下壳, 表面安装, 彩锌双扣, M32/M16, 高结构, 灰色粉末喷涂		M32	M16	-
T1470242229-001	H24B-SGRH-2PG29/M32 H24B HOUSING, SURFACE MOUNTED, METAL DOUBLE LOCKING, 2PG29, BOTTOM ENTRY M32, HIGH CONSTRUCTION, POWDER COATED, GREY H24B下壳, 表面安装, 彩锌双扣, 2PG29, 底出M32, 高结构, 灰色粉末喷涂		PG29	PG29	M32
PART NUMBER	PART DESCRIPTION	PG/M THREAD-1	PG/M THREAD-2	PG/M THREAD-3	TYPE
料号	描述	螺纹孔-1	螺纹孔-2	螺纹孔-3	类型

THIS DRAWING IS A CONTROLLED DOCUMENT.

DWN DAVID LI 17JUN2015
 CHK CHRIS WANG 17JUN2015
 APVD XU XIANG 17JUN2015

TE Connectivity

NAME H24B-SGRH-PG/M

PRODUCT SPEC 108-137013
 APPLICATION SPEC 114-137013

SIZE A2 CAGE CODE - DRAWING NO. C-T147024XXXX000 RESTRICTED TO

MATERIAL TBD FINISH - WEIGHT -

CUSTOMER DRAWING SCALE 1:2 SHEET 2 OF 2 REV C

单击下面可查看定价，库存，交付和生命周期等信息

[>>TE Connectivity\(泰科\)](#)