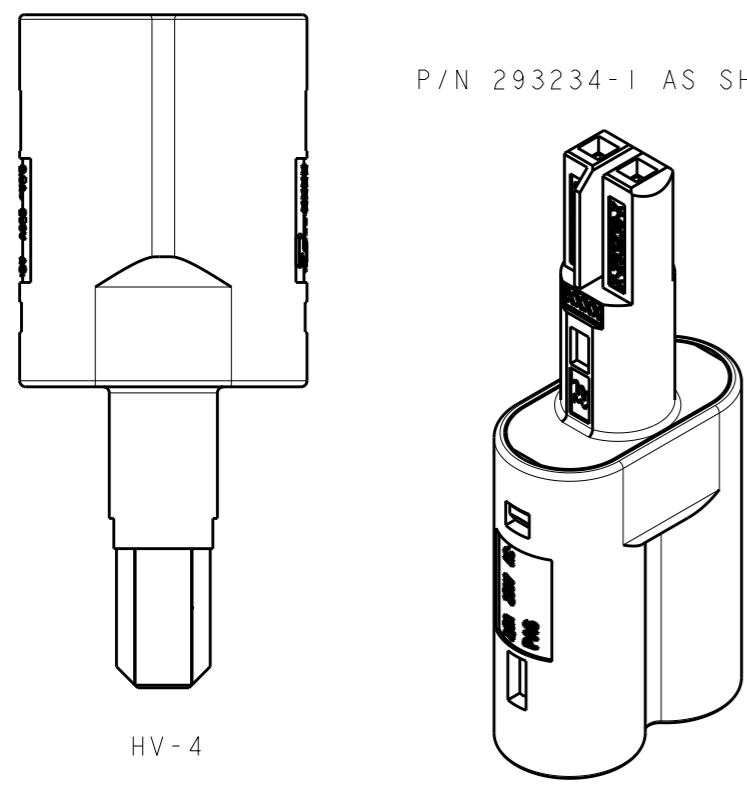
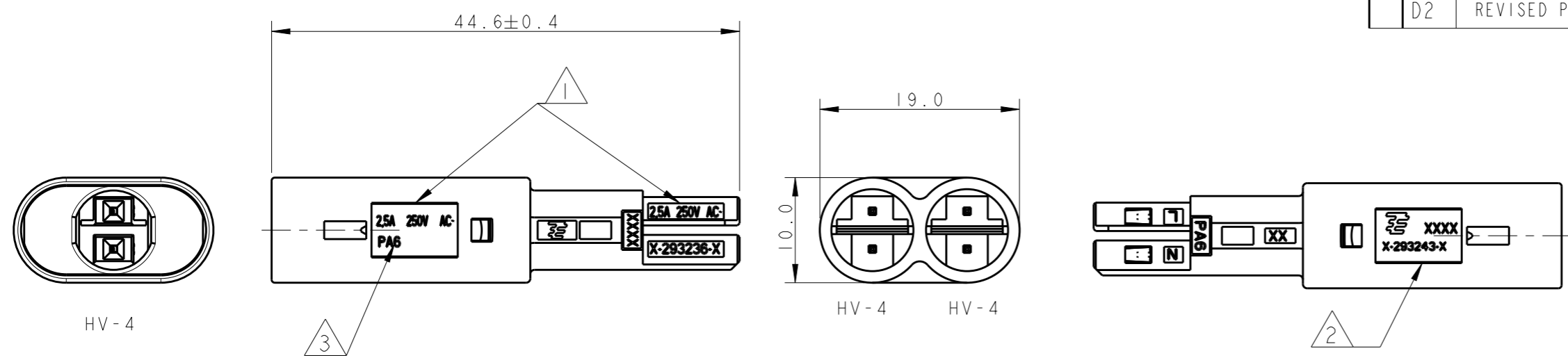


THIS DRAWING IS UNPUBLISHED. RELEASED FOR PUBLICATION 2006
 © COPYRIGHT 2006 BY - ALL RIGHTS RESERVED.

| REVISIONS | | | | | |
|-----------|-----|---------------------------------------|-----------|-----|------|
| P | LTR | DESCRIPTION | DATE | DWN | APVD |
| C | | CHANGE COLOR RAW MTL. | 21NOV2008 | AV | GT |
| D | | RELEASED FOR PRODUCTION FROM -1 TO -9 | 31AUG2009 | AV | GT |
| D1 | | UPDATED OVERALL LENGTH | 22AUG2012 | MZ | JC |
| D2 | | REVISED PER ECR-16-002347 | 22FEB2016 | RS | JL |



P/N 293234-1 AS SHOWN

- 1 KEYING DEPENDENT TO THE MARKING
- 2 PART MARKING
-Tyco Electronics Product Identifier
Date code
Part number
- 3 RAW MATERIAL IDENTIFICATION PA6
- 4 OBSOLETED.

| | | | | | |
|----------------|------------|------|-----------------|---------------|------------|
| HV-1/HV-1&HV-1 | 0-293234-9 | A | HIGH-VOLT 250V | 2,5A 250V AC~ | BLACK |
| LV-2/LV-2&LV-2 | 0-293234-8 | B | LOW-VOLT 42V DC | 7A 42V DC= | YELLOW |
| LV-1/LV-1&LV-1 | 0-293234-7 | B | LOW-VOLT 42V AC | 7A 42V AC~ | LIGHT GREY |
| HV-5/HV-5&HV-5 | 0-293234-6 | A | HIGH-VOLT 250V | 2,5A 250V AC~ | BLACK |
| HV-5/HV-5&HV-5 | 0-293234-5 | A | HIGH-VOLT 250V | 2,5A 250V AC~ | WHITE |
| HV-3/HV-3&HV-3 | 0-293234-4 | B | HIGH-VOLT 125V | 6A 125V AC~ | BLUE |
| HV-1/HV-1&HV-1 | 0-293234-3 | A | HIGH-VOLT 250V | 2,5A 250V AC~ | WHITE |
| HV-4/HV-4&HV-4 | 0-293234-2 | A | HIGH-VOLT 250V | 2,5A 250V AC~ | BLACK |
| HV-4/HV-4&HV-4 | 0-293234-1 | A | HIGH-VOLT 250V | 2,5A 250V AC~ | WHITE |
| KEYING | P/N | REV. | REMARKS | MARKING | COLOR |

| | | | | | |
|--|--|-----------------------------|--|-----------------------|---------------|
| THIS DRAWING IS A CONTROLLED DOCUMENT. | | DWN 18AUG2006 A. Vecchia | TE Connectivity | | |
| DIMENSIONS: mm | | CHK 18AUG2006 G. Turco | | | |
| TOLERANCES UNLESS OTHERWISE SPECIFIED: | | APVD 18AUG2006 G. Turco | NAME T-SPLITTER CONNECTOR STANDARD VERSION | | |
| 0 PLC ±- 1 PLC ±0.2 2 PLC ±0.1 3 PLC ±0.013 4 PLC ±0.0001 ANGLES ±- | | PRODUCT SPEC - | APPLICATION SPEC - | | |
| MATERIAL | | WEIGHT | SIZE A300779 | CAGE CODE C-293234 | RESTRICTED TO |
| FINISH | | CUSTOMER DRAWING | SCALE 2:1 | SHEET 1 OF 2 | REV D2 |

THIS DRAWING IS UNPUBLISHED.

RELEASED FOR PUBLICATION

2006

© COPYRIGHT 2006 BY -

ALL RIGHTS RESERVED.

REVISIONS

| P | LTR | DESCRIPTION | DATE | DWN | APVD |
|---|-----|-------------|------|-----|------|
| - | - | SEE SHEET 1 | - | - | - |
| | | | | | |
| | | | | | |

P/N 0-293234-3 AND P/N 293234-9 AS SHOWN



P/N 0-293234-5; 0-293234-6 AS SHOWN

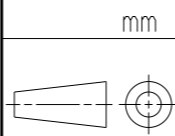


P/N 0-293234-8 AS SHOWN



THIS DRAWING IS A CONTROLLED DOCUMENT.

DIMENSIONS:



MATERIAL

TOLERANCES UNLESS OTHERWISE SPECIFIED:

- 0 PLC ±-
- 1 PLC ±0.2
- 2 PLC ±0.1
- 3 PLC ±0.013
- 4 PLC ±0.0001
- ANGLES ±-

FINISH

DWN 18AUG2006

A. Vecchia

CHK 18AUG2006

G. Turco

APVD 18AUG2006

G. Turco

PRODUCT SPEC

APPLICATION SPEC

WEIGHT

CUSTOMER DRAWING



TE Connectivity

NAME T-SPLITTER CONNECTOR STANDARD VERSION

SIZE CAGE CODE DRAWING NO

A300779 C-293234

RESTRICTED TO

SCALE 3:2

SHEET 2 OF 2

REV D2

单击下面可查看定价，库存，交付和生命周期等信息

[>>TE Connectivity\(泰科\)](#)