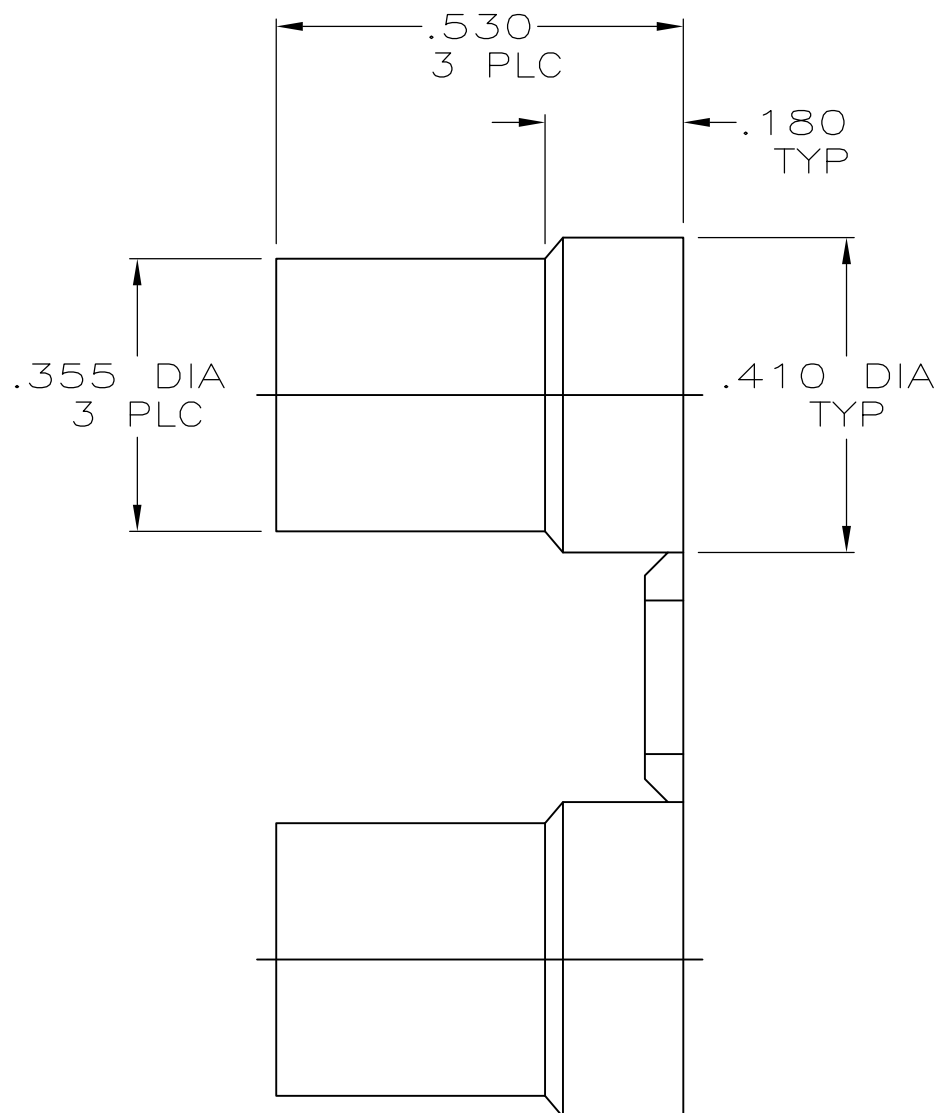
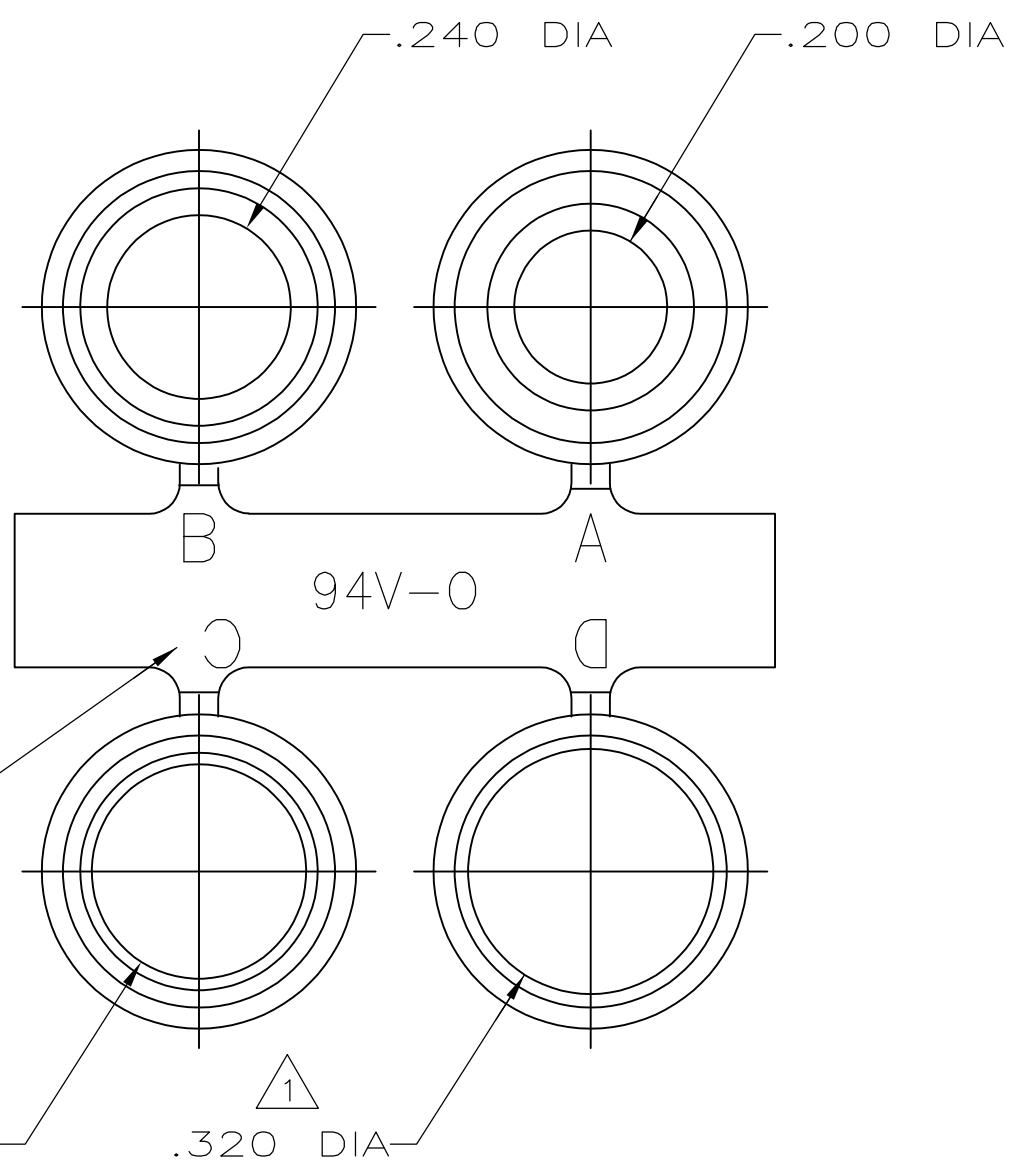


THIS DRAWING IS UNPUBLISHED. RELEASED FOR PUBLICATION
 © COPYRIGHT - By - ALL RIGHTS RESERVED.

LOC	DIST	REVISIONS			
P	LTR	DESCRIPTION	DATE	DWN	APVD
BD	48	D1	REVISED PER ECO-11-004835	11MAR11	RK HMR



△1 TOTAL HEIGHT IS .180, THIS GROMMET ONLY.

THIS DRAWING IS A CONTROLLED DOCUMENT.		DWN S.WELDON 8-24-88	747746-1	
DIMENSIONS: INCHES		CHK W.G.LENKER 8-24-88	PART NO	
TOLERANCES UNLESS OTHERWISE SPECIFIED:		APVD R.N.WHYNE 8-26-88	TE Connectivity	
0 PLC ± -		PRODUCT SPEC	GROMMET ASSORTMENT, SIZE 1 & 2 CABLE CLAMPS, AMPLIMITE®	
1 PLC ± -		APPLICATION SPEC	SIZE A2	CAGE CODE 00779
2 PLC ± -		WEIGHT -	DRAWING NO C=747746	RESTRICTED TO -
3 PLC ± .005		CUSTOMER DRAWING	SCALE 4:1	SHEET 1 of 1
4 PLC ± -			REV D1	
ANGLES ± -				
FINISH -				
MATERIAL FLEXIBLE PVC, UL 94V-0 RATED COLOR: BLACK				

747746

单击下面可查看定价，库存，交付和生命周期等信息

[>>TE Connectivity\(泰科\)](#)