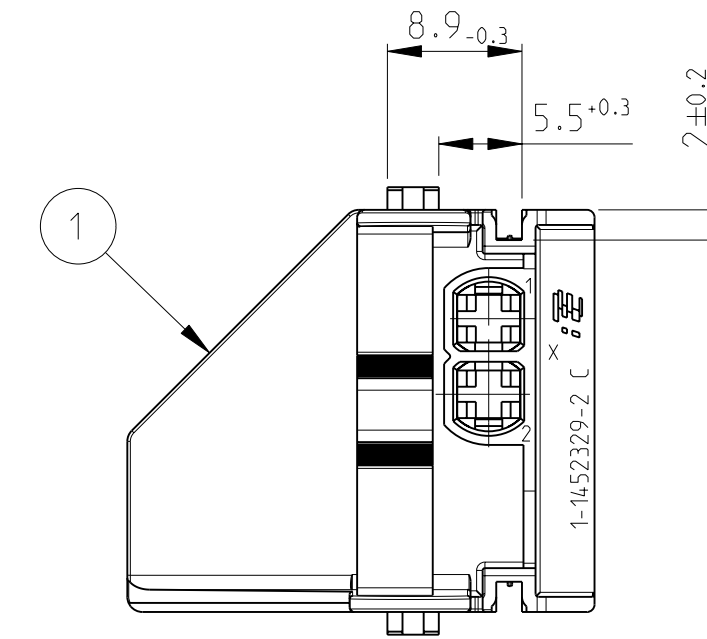
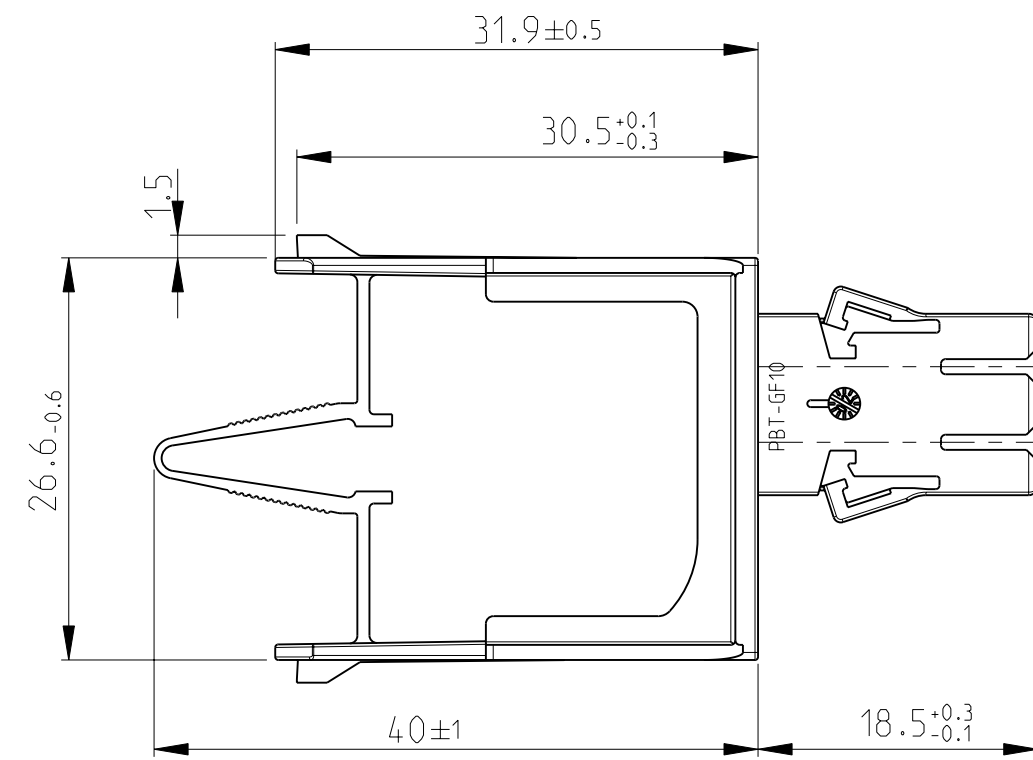
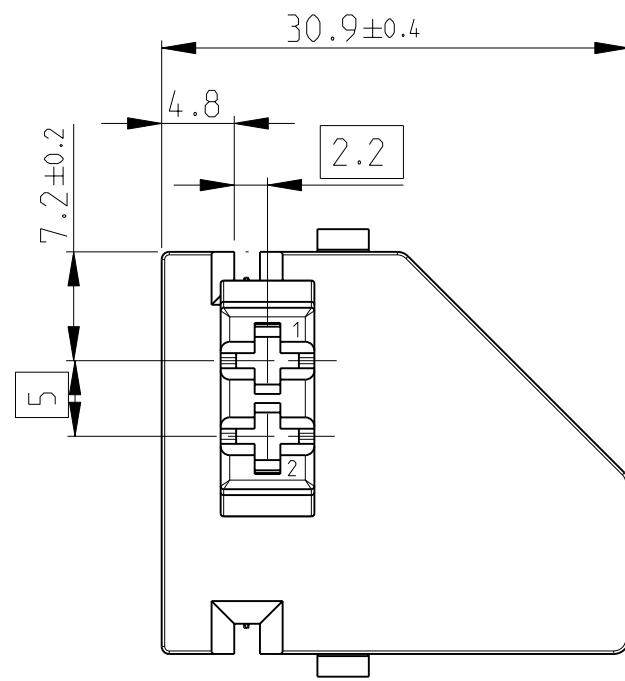


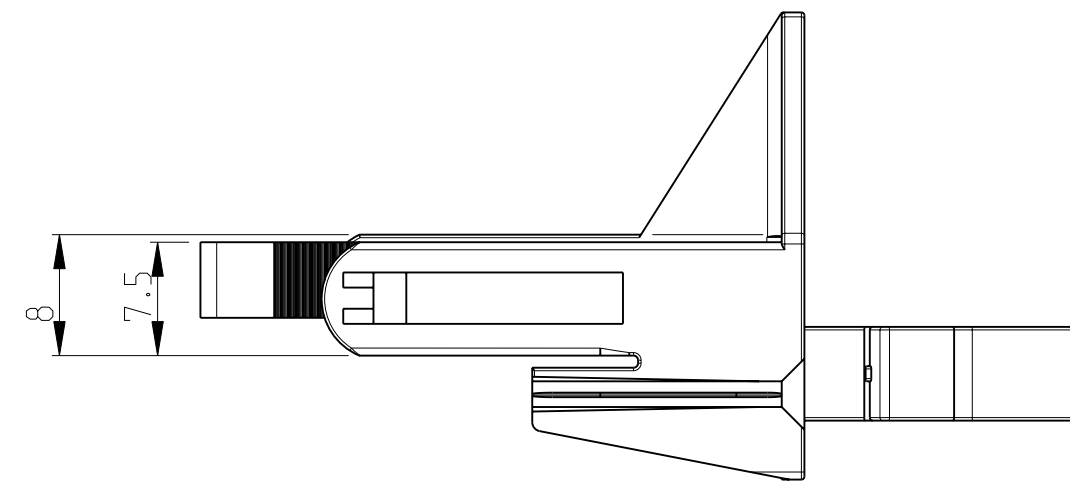
THIS DRAWING IS UNPUBLISHED. RELEASED FOR PUBLICATION 2000  
 © COPYRIGHT 2000 ALL RIGHTS RESERVED.

LOC		DIST		REVISIONS			
P	LTR	DESCRIPTION	DATE	DWN	APVD		
	C	NEW DRAWING	01DEC2011	SH	KR		

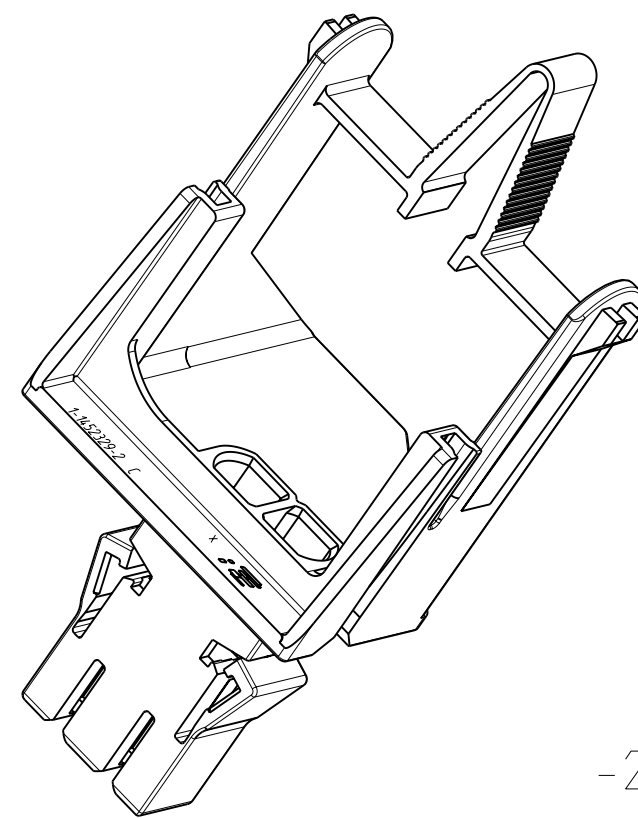
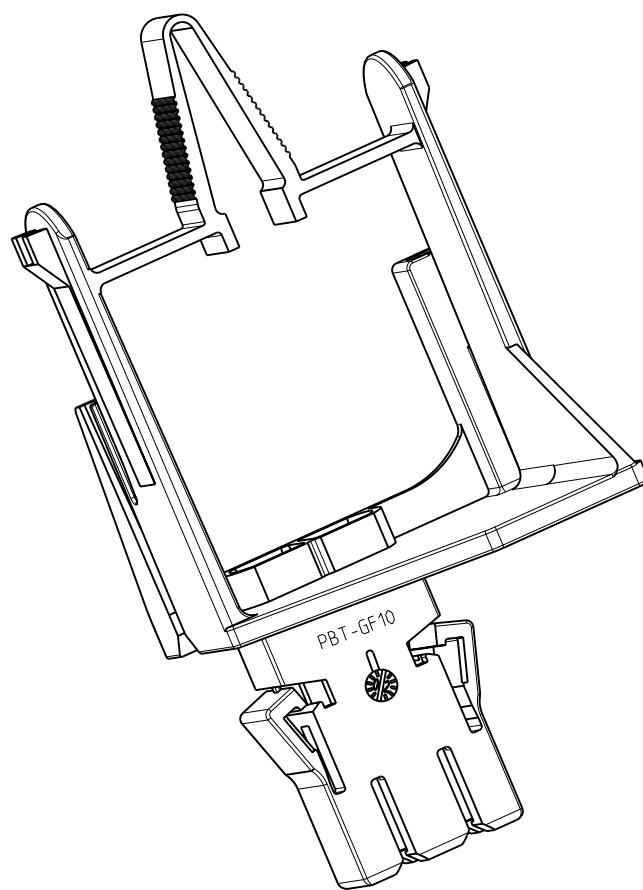


NOTES:  
Bemerkungen:

1 INTERFACE SPEC. SEE: BROSE NORM BN 590011-XXX / BN 590025-XXX  
 Anschlusskragen Spec.: Brose Norm BN 590011-xxx / BN 590025-xxx



APPLICABLE TIN CONTACTS Einsetzbare verzinnte Kontakte	
WIRE SIZE Leiterquerschnitt	TE : PN
0.5-1 mm <sup>2</sup>	TE: 0-927771-1
1-2.5 mm <sup>2</sup>	TE: 0-927768-1



-2 AS SHOWN  
wie gezeichnet

TE PART NR.	MATERIAL	COLOR	DESCRIPTION	ITEM NR.
0-1452329-2	PBT-GF15	BLACK	2 POS. SOCKET HOUSING JPT	1

THIS DRAWING IS A CONTROLLED DOCUMENT.		DWN SHREESHAIL.H 01DEC2011	<b>STE</b> TE Connectivity	
DIMENSIONS: mm		CHK K.ROTH 01DEC2011		
TOLERANCES UNLESS OTHERWISE SPECIFIED:		APVD G.MUMPER 01DEC2011	NAME 2 POS. SOCKET HOUSING , JPT, LEFT 2-POLIGES BUCHSENGEHAEUSE , JPT, LINKS	
0 PLC ±0.3 1 PLC ±0.3 2 PLC ±0.3 3 PLC ± 4 PLC ±		PRODUCT SPEC -	SIZE A2	
MATERIAL SEE TABLE		APPLICATION SPEC 114-18540-1	CAGE CODE 00779	DRAWING NO 1452329
		WEIGHT -	RESTRICTED TO -	
		CUSTOMER DRAWING	SCALE 2:1	SHEET 1 OF 1

单击下面可查看定价，库存，交付和生命周期等信息

[>>TE Connectivity\(泰科\)](#)