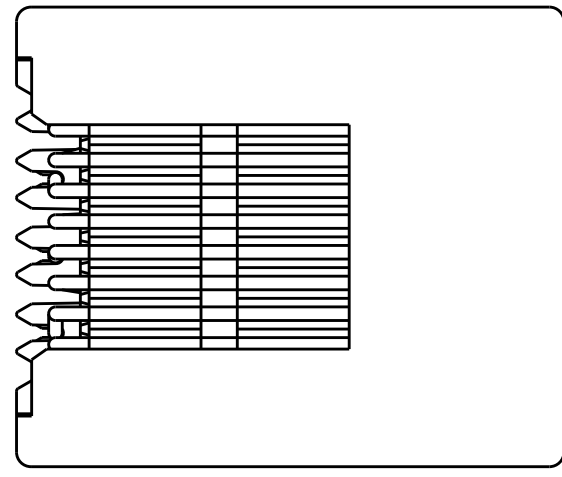
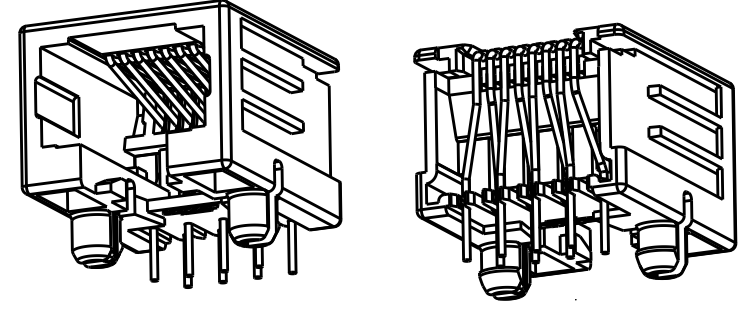


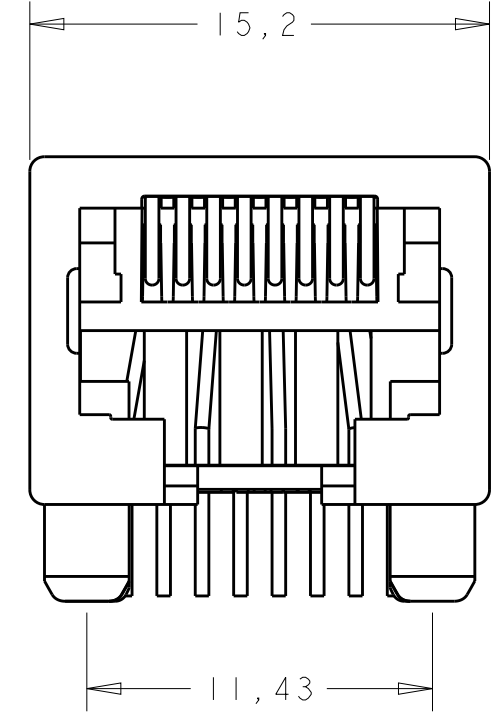
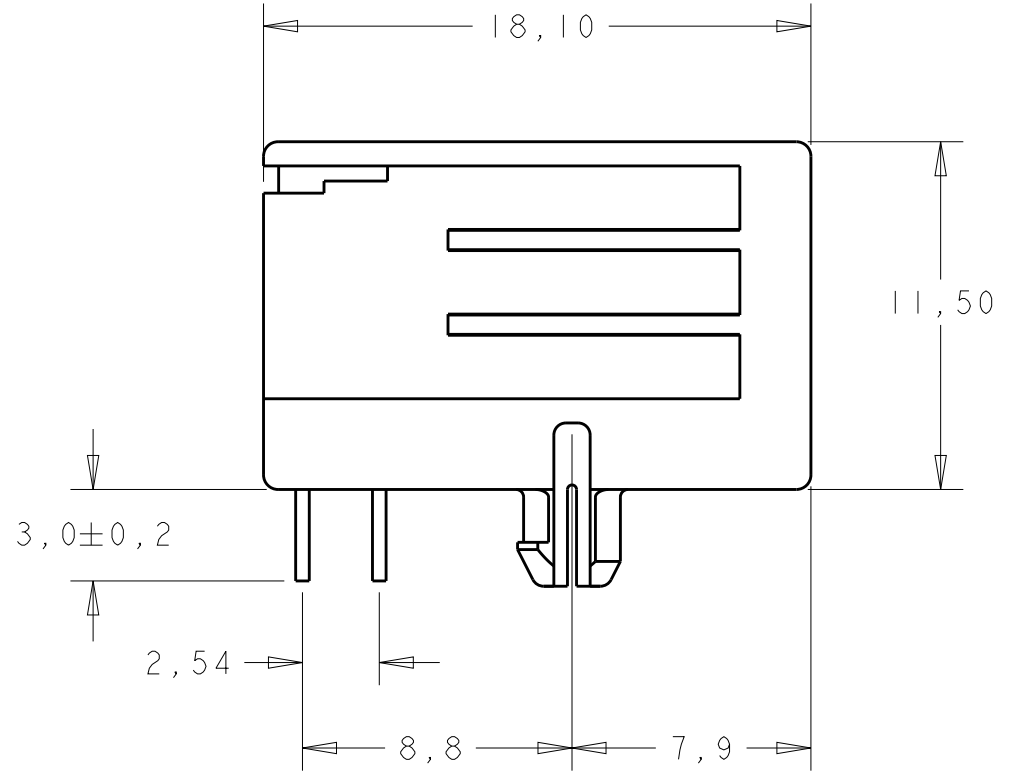
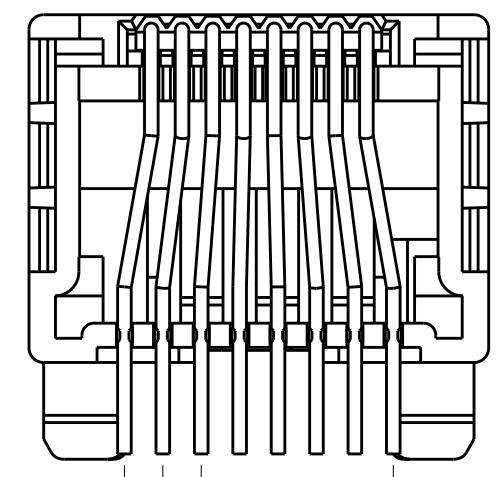
THIS DRAWING IS UNPUBLISHED. RELEASED FOR PUBLICATION
 © COPYRIGHT - ALL RIGHTS RESERVED.

LOC		DIST		REVISIONS			
P	LTR	DESCRIPTION	DATE	DWN	APVD		
AF		ECR-10-020218	21JUN2011	PS	RRP		
AF1		REVISED PER ECO-12-008315	12MAY2015	AD	SH		

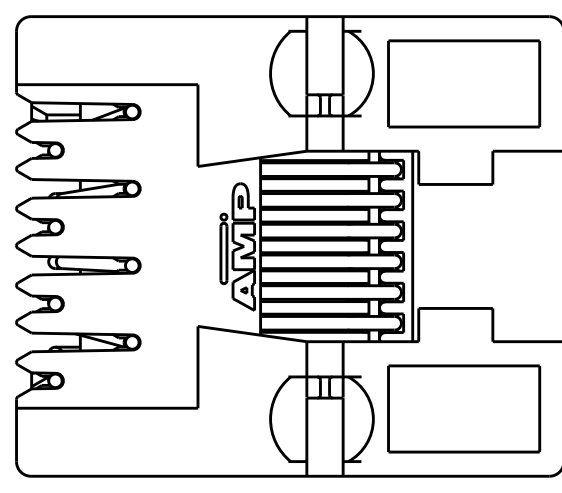
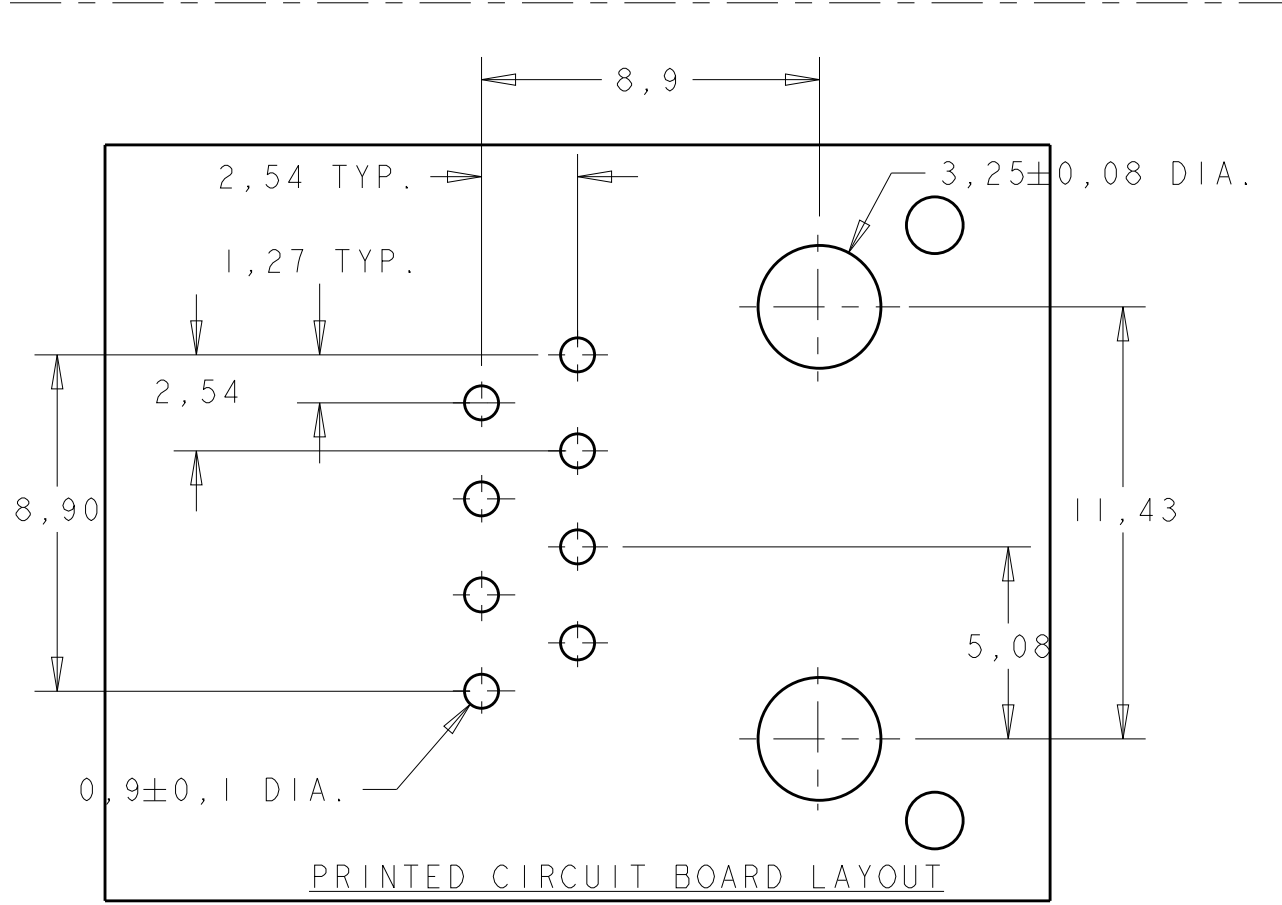


NOTES:

- 1 TOLERANCE UNLESS OTHERWISE SPECIFIED: $\pm 0,15$.
- 2 FOR THIS PACKAGING METHOD THE TRUE POSITION OF THE SOLDER TINES IS NOT GUARANTEED.
- 3 SUPERSEDED BY 1-215877-3



2,54
 1,27 TYP.
 8,9



PACKAGING	REMARKS	FINISH	MATERIAL	ORDER NUMBER
1000 PIECES BULK PACKAGED			HOUSING COLOR: BLUE RAL 5017	4-215877-1
1000 PIECES BULK PACKAGED			HOUSING COLOR: GREY RAL 7035	3-215877-1
200 PIECES IN A TRAY			HOUSING COLOR: BLACK PBT: UL 94V-0 CONTACT INSERT: PBT: UL 94V-0 CONTACTS: PH BRONZE	1-215877-3
99 PIECES IN MULTI TUBE				1-215877-1
TAPE MOUNTED 700 PCS./REEL				215877-1

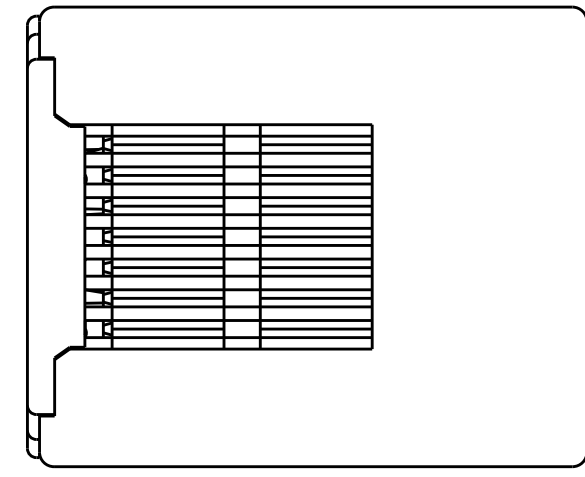
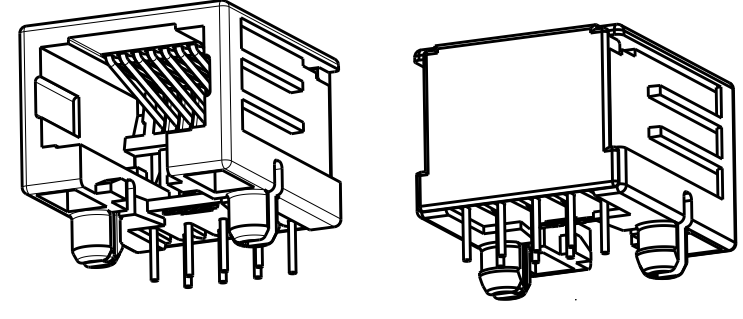
THIS DRAWING IS A CONTROLLED DOCUMENT.

DWN	E.v.Eijk	TE Connectivity MODULAR JACK, 8 POS SIDE ENTRY FOR PRINTED CIRCUIT BOARD	
CHK	M.v.Essen		
APVD	R.Smeets		
PRODUCT SPEC	108-19064		
APPLICATION SPEC	114-19019	SIZE	A2
MATERIAL		CAGE CODE	C-215877
		DRAWING NO	
		RESTRICTED TO	

CUSTOMER DRAWING SCALE 4:1 SHEET 1 OF 2 REV AF1

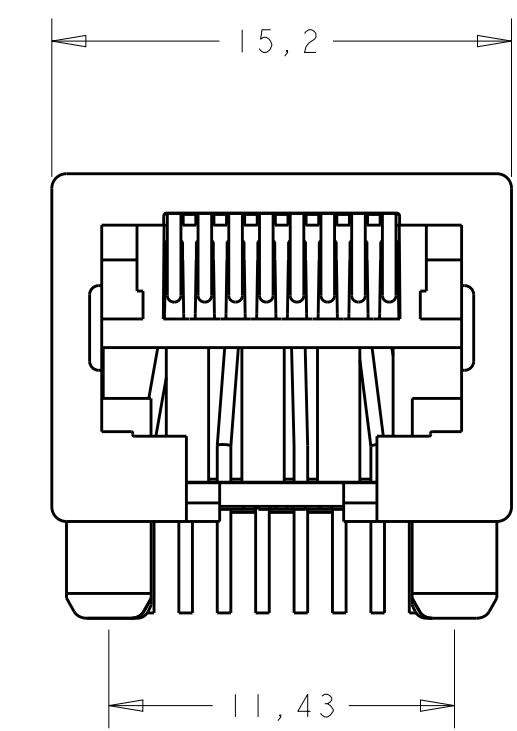
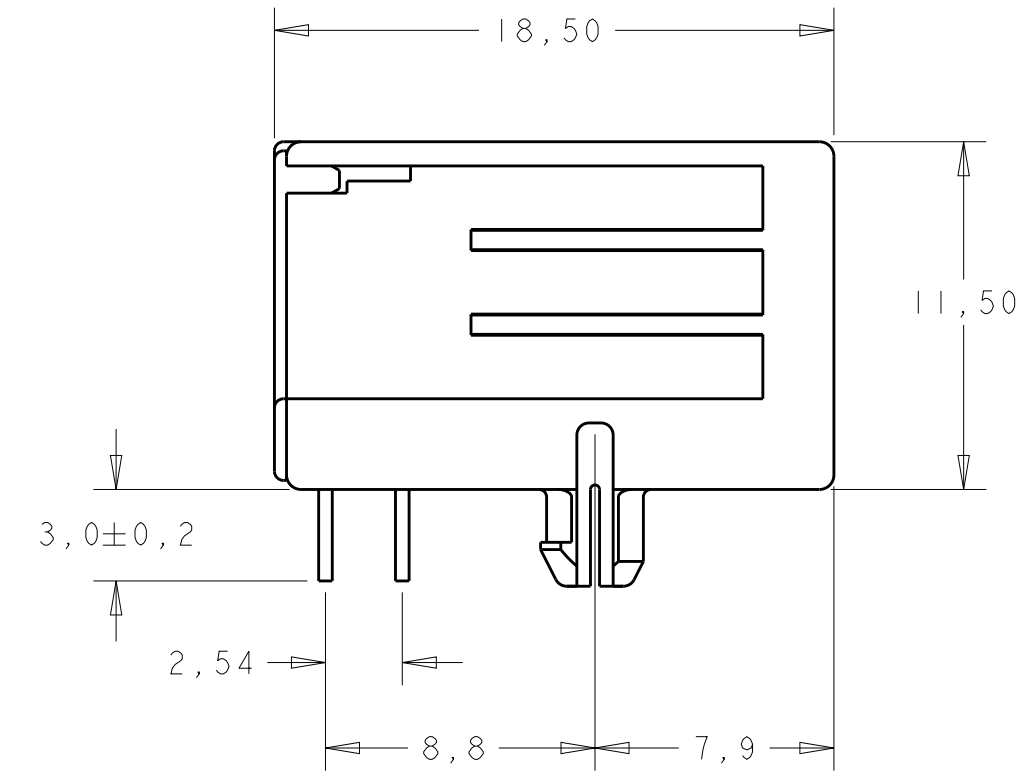
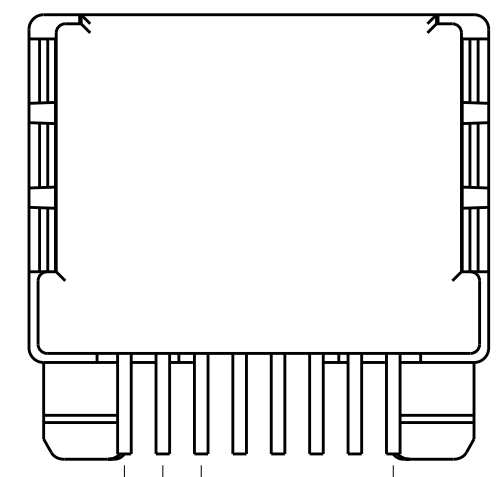
THIS DRAWING IS UNPUBLISHED. RELEASED FOR PUBLICATION
 © COPYRIGHT - ALL RIGHTS RESERVED.

LOC	DIST	REVISIONS			
P	LTR	DESCRIPTION	DATE	DWN	APVD
IR	-	SEE SHEET 1	-	-	-

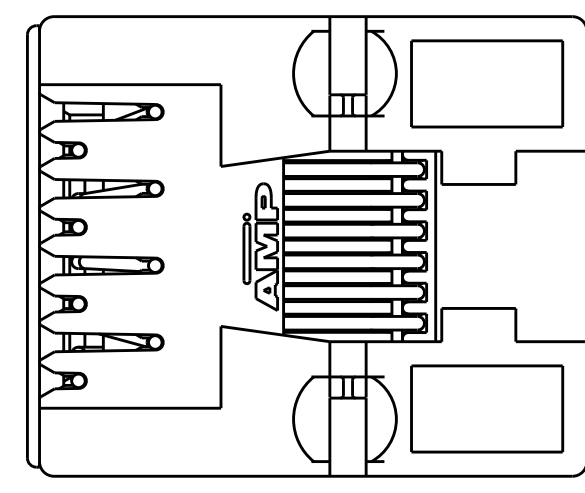
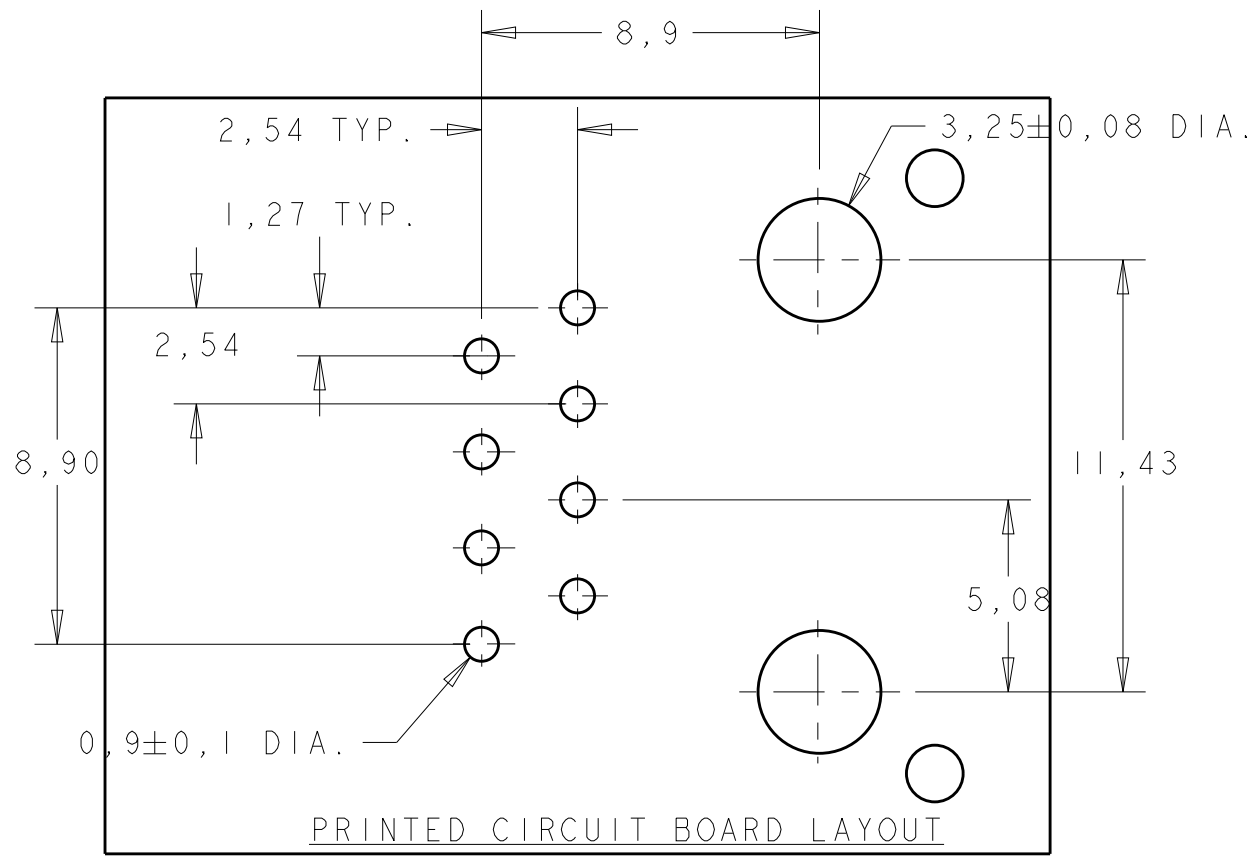


NOTES:

- 1 TOLERANCE UNLESS OTHERWISE SPECIFIED: $\pm 0,15$.
- 2 FOR THIS PACKAGING METHOD THE TRUE POSITION OF THE SOLDER TINES IS NOT GUARANTEED.



2,54
 1,27 TYP.
 8,9



PACKAGING	REMARKS	FINISH	MATERIAL	ORDER NUMBER
1000 PIECES BULK PACKAGED				INACTIVE 5-215877-3 NOT TOOLED
200 PIECES IN A TRAY	8 POS. / 8 CONTACTS			INACTIVE 5-215877-2 NOT TOOLED
TAPE MOUNTED 700 PCS./REEL				INACTIVE 5-215877-1 NOT TOOLED

2

THIS DRAWING IS A CONTROLLED DOCUMENT.

DWN E.v.Fijk	NAME	STE TE Connectivity	
CHK M.v.Essen	PRODUCT SPEC	MODULAR JACK, 8 POS SIDE ENTRY FOR PRINTED CIRCUIT BOARD	
APVD R.Smeets	APPLICATION SPEC	SIZE	RESTRICTED TO
	108-19064	A2	
	114-19019	CAGE CODE	DRAWING NO
		G-215877	
MATERIAL	FINISH	SCALE	SHEET 2 OF 2
		4:1	REV AFI

CUSTOMER DRAWING

单击下面可查看定价，库存，交付和生命周期等信息

[>>TE Connectivity\(泰科\)](#)