

4

3

2

1

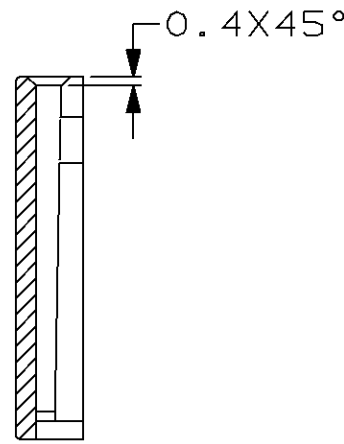
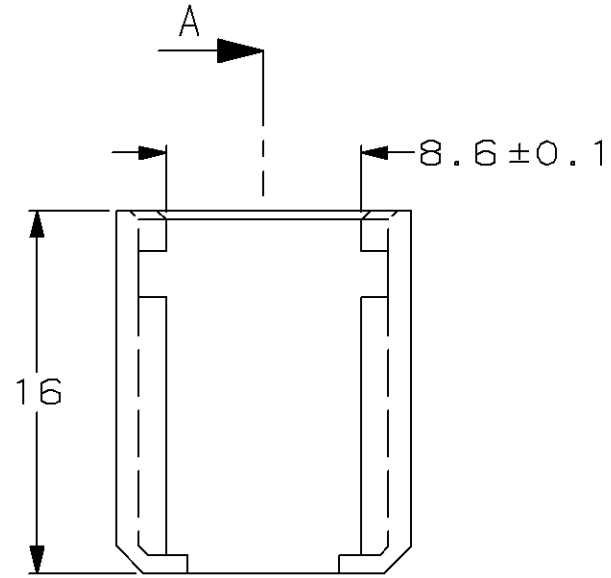
THIS DRAWING IS UNPUBLISHED.  
 DIFFUSION RESTREINTE AMP  
 © COPYRIGHT 19 BY AMP INCORPORATED. ALL RIGHTS RESERVED.  
 TOUS DROITS RESERVES

RELEASED FOR PUBLICATION  
 DIFFUSION PUBLIQUE ,19

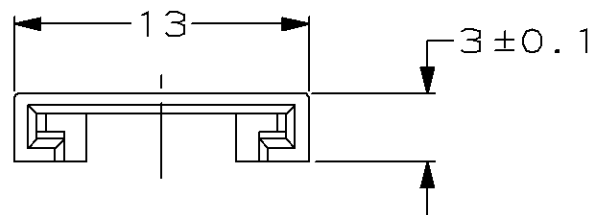
LOC F DIST 7

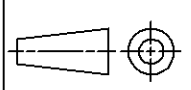
REVISIONS

P	LTR REV	DESCRIPTION MODIFICATIONS	DATE	DWN DESS.	APVD APP.
	A	UP DATED	09/94	DE	-
	B	NEW TITLE BLOCK	09-OCT-96	MP	-
	C	ENGLISH TRANSLATION	18-MAR-98	JL	-



SECTION A-A



THIS DRAWING IS A CONTROLLED DOCUMENT FOR AMP INCORPORATED. IT IS SUBJECT TO CHANGE AND THE CONTROLLING ENGINEERING ORGANIZATION SHOULD BE CONTACTED FOR THE LATEST REVISION. CE PLAN EST UN DOCUMENT CONTROLE PAR AMP INCORPORATED. IL EST SUSCEPTIBLE D'ETRE REVISE. CONTACTER LE SERVICE TECHNIQUE D'AMP DE FRANCE POUR OBTENIR LA DERNIERE REVISION.		DWN/DESSINE <b>D. ELISEI</b> 04/11/93 CHK/VERIFIE <b>J. LALANGE</b> 08-APR-98 APVD/APPROUVE <b>JJ. REVIL</b> 08-APR-98	<b>AMP</b> AMP DE FRANCE 95301 PONTOISE
DIMENSIONS: mm	TOLERANCES UNLESS OTHERWISE SPECIFIED: TOLERANCES NON SPECIFIEES (SUIV NB DE DECIMALES): $\pm 0.3$ $\pm 0.1$ $\pm 0.05$ $\pm 0.02$ ANGLES $\pm 5^\circ$	PRODUCT SPEC SPEC. PRODUIT - APPLICATION SPEC SPEC. APPLICATION - WEIGHT MASSE APPROX. -	NAME TITRE <b>LOCKING DEVICE FOR MQS HOUSING</b>
	MATERIAL MATIERE <b>PBT</b>	FINISH FINITION -	SIZE FORMAT <b>A3</b> CAGE CODE <b>00779</b> DRAWING NO No PLAN <b>C=144936</b>
144936-1 AMP PART NUMBER	LOCKING DEVICE FOR MQS HOUSING DESCRIPTION	BLACK (NOIR) COLOR (COULEUR)	CUSTOMER DRAWING/PLAN CLIENT UNIQUEMENT POUR REFERENCE SCALE ECHELLE 1:1 SHEET FEUILLE 1 OF 1 DE 1 REV <b>C</b>

单击下面可查看定价，库存，交付和生命周期等信息

[>>TE Connectivity\(泰科\)](#)