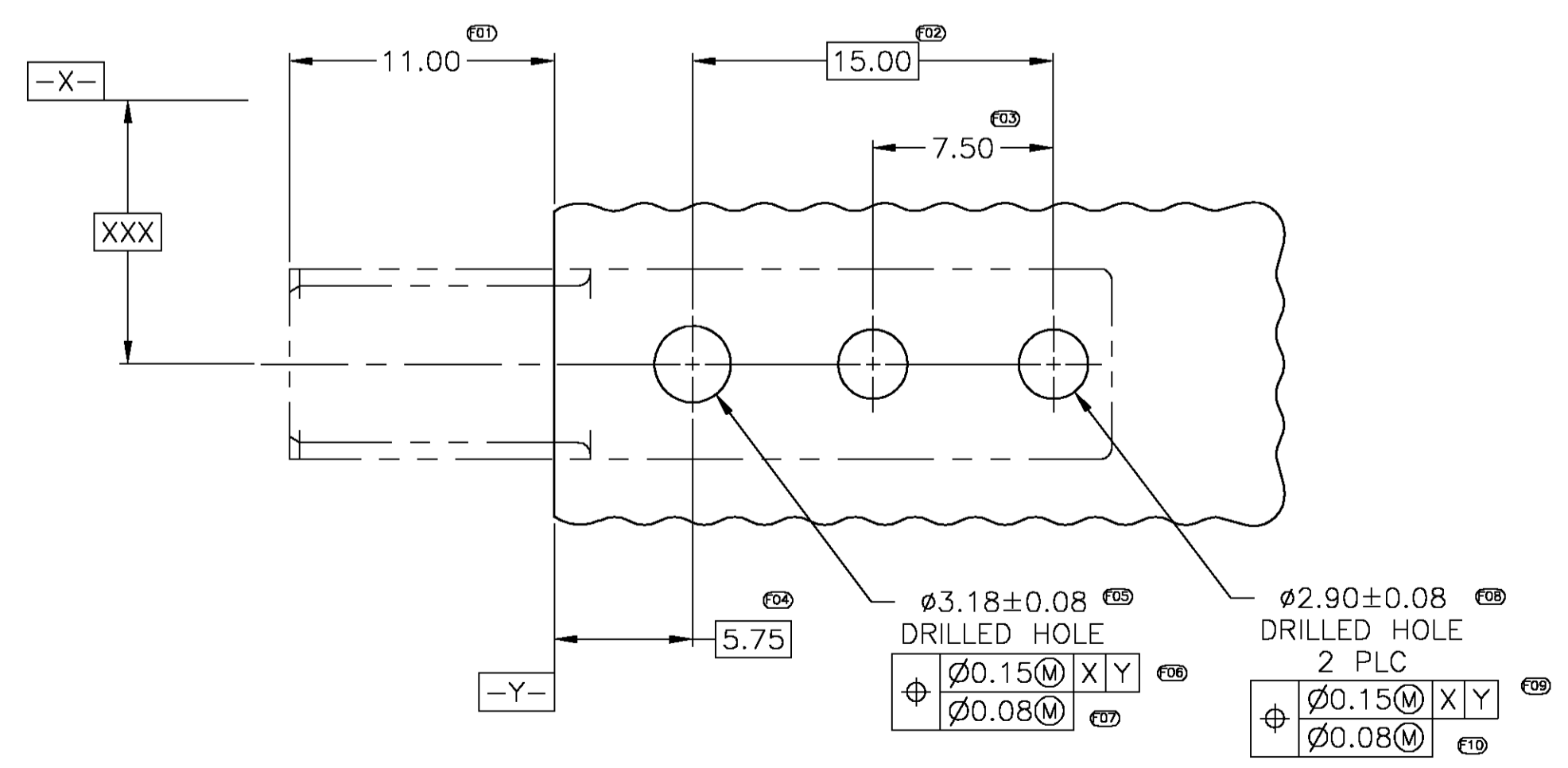
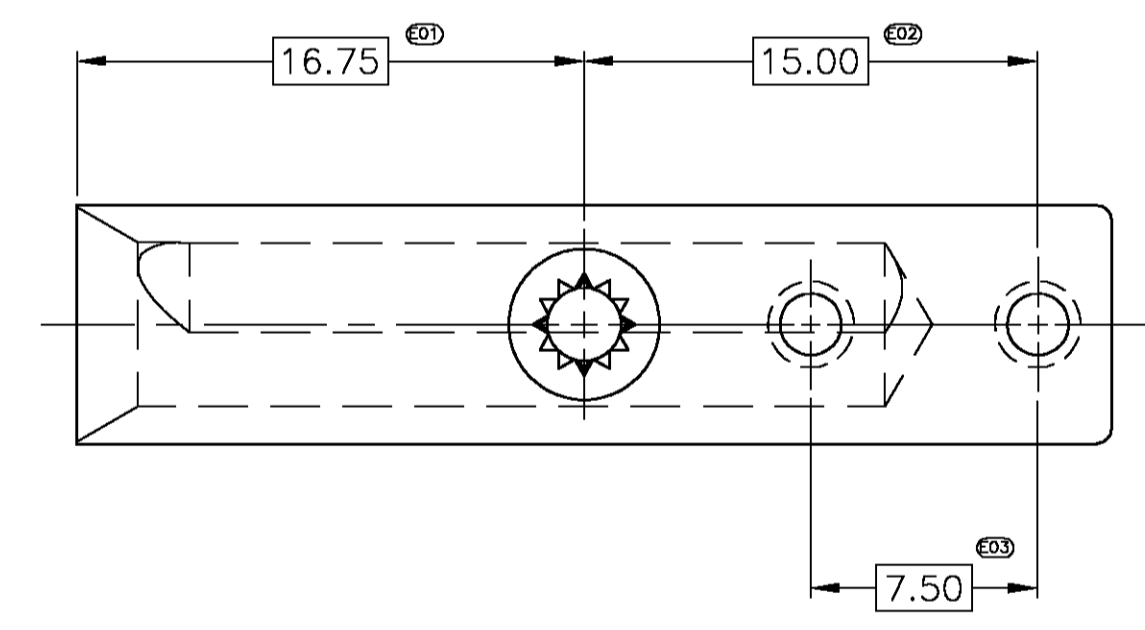
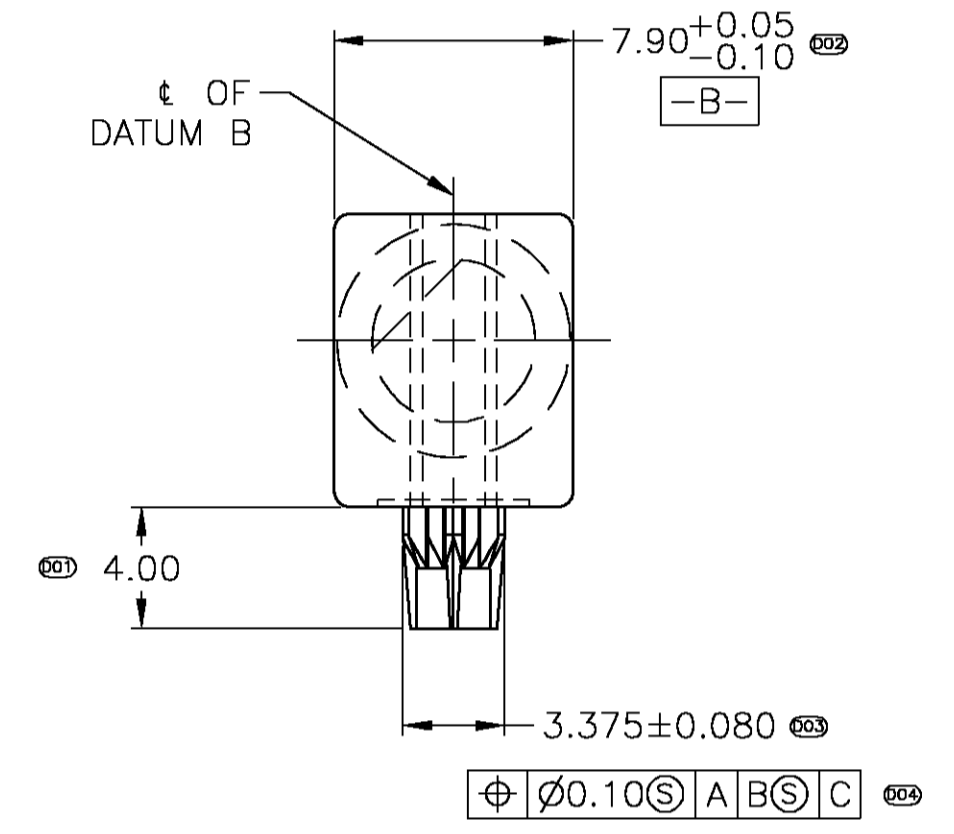
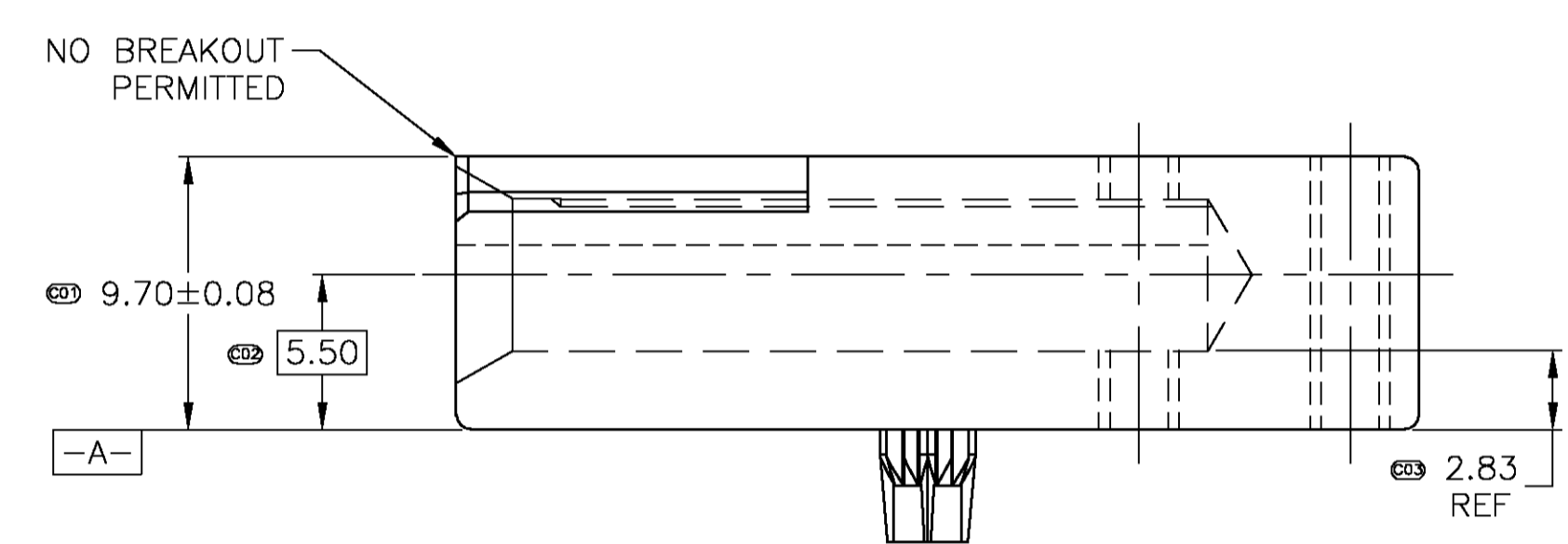
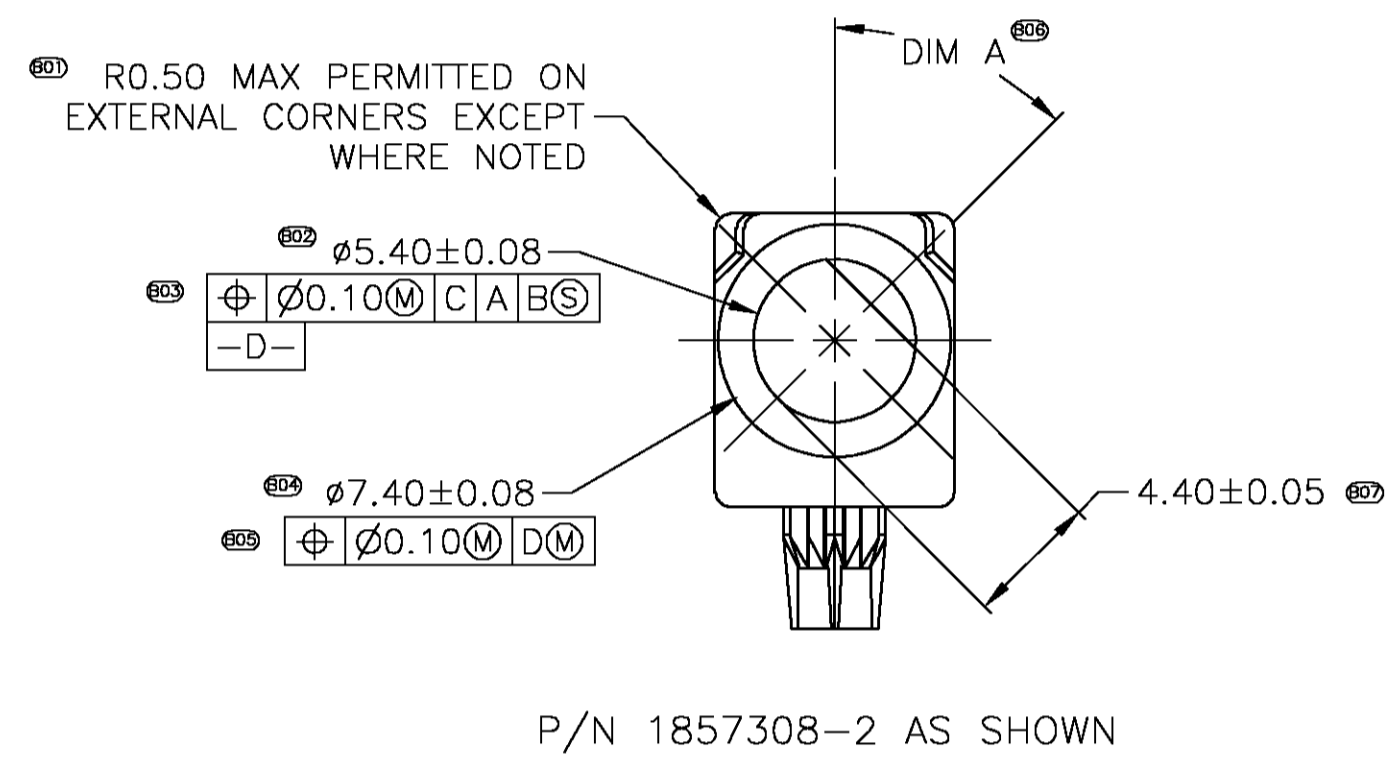
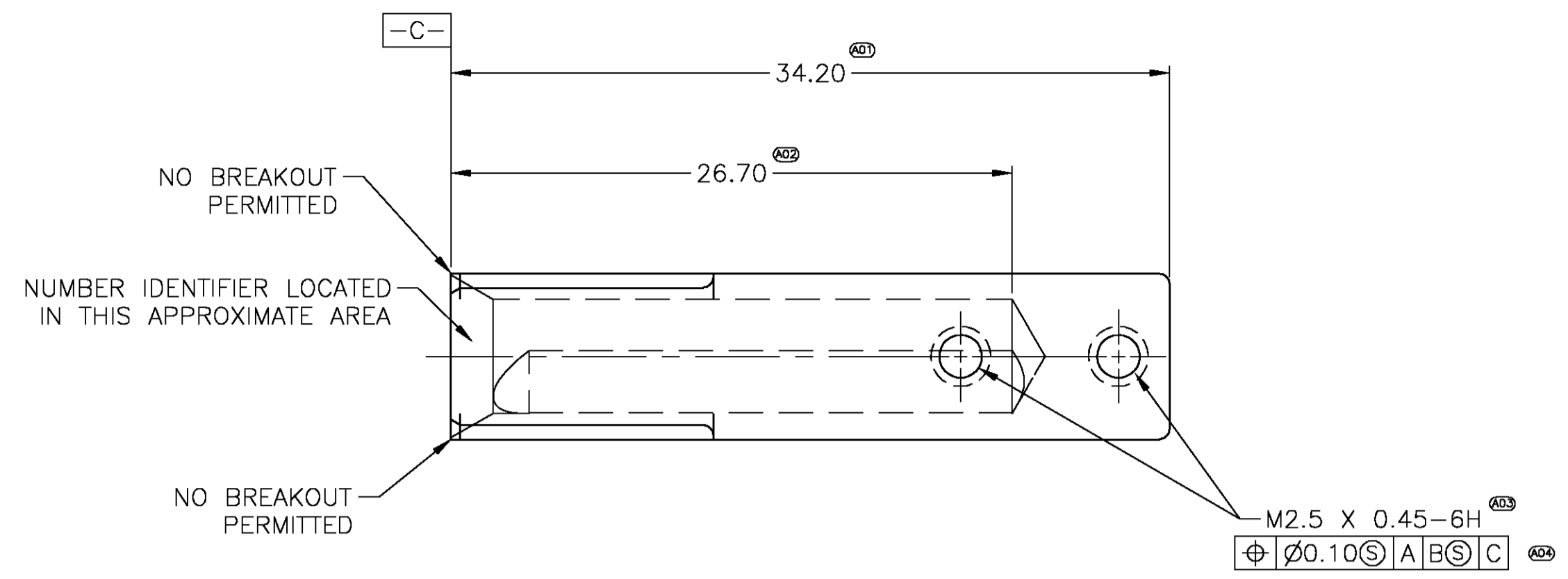


NOTES:
 1 MATERIAL: ZINC ALLOY DIE CASTING.
 2 SURFACE FINISH: CHROMATE CONVERSION COATING.
 (RoHS COMPATIBLE)



FOOT PRINT

1857308-2 AS SHOWN.

KEYING POSN	DIM A	PART NUMBER
8	315'	1857308-8
7	270'	1857308-7
6	225'	1857308-6
5	180'	1857308-5
4	135'	1857308-4
3	90'	1857308-3
2	45'	1857308-2
1	0'	1857308-1

THIS DRAWING IS A CONTROLLED DOCUMENT.		DIN 13 SEP 2005		Tyco Electronics, Nederland BV	
DIMENSIONS: mm		TOLERANCES UNLESS OTHERWISE SPECIFIED:		Tyco Electronics, Nederland BV 's-Hertogenbosch, Netherlands	
0 PLC ± -		1 PLC ± -		NAME: J. TUIN	
1 PLC ± -		2 PLC ± 0.13		APVD: J. BROEKSTEEG	
2 PLC ± -		3 PLC ± -		PRODUCT SPEC: -	
3 PLC ± -		4 PLC ± -		APPLICATION SPEC: -	
4 PLC ± -		ANGLES ± -		SIZE: A1	
MATERIAL: 1		FINISH: 2		CAGE CODE: 00779	
CUSTOMER DRAWING		SCALE: 4:1		DRAWING NO: 1857308	
		SHEET: 1 OF 1		RESTRICTED TO: -	
				REV: A	

单击下面可查看定价，库存，交付和生命周期等信息

[>>TE Connectivity\(泰科\)](#)