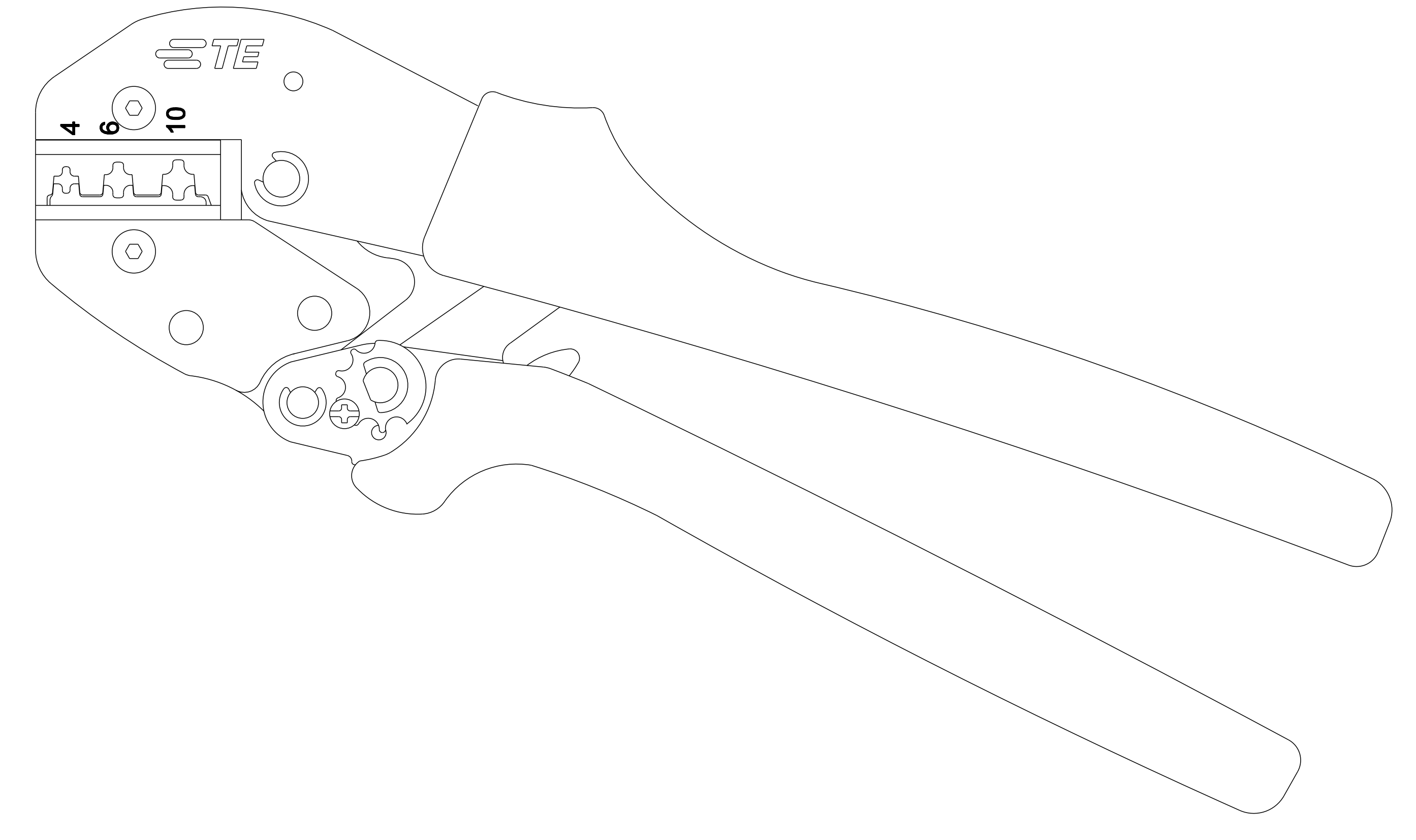
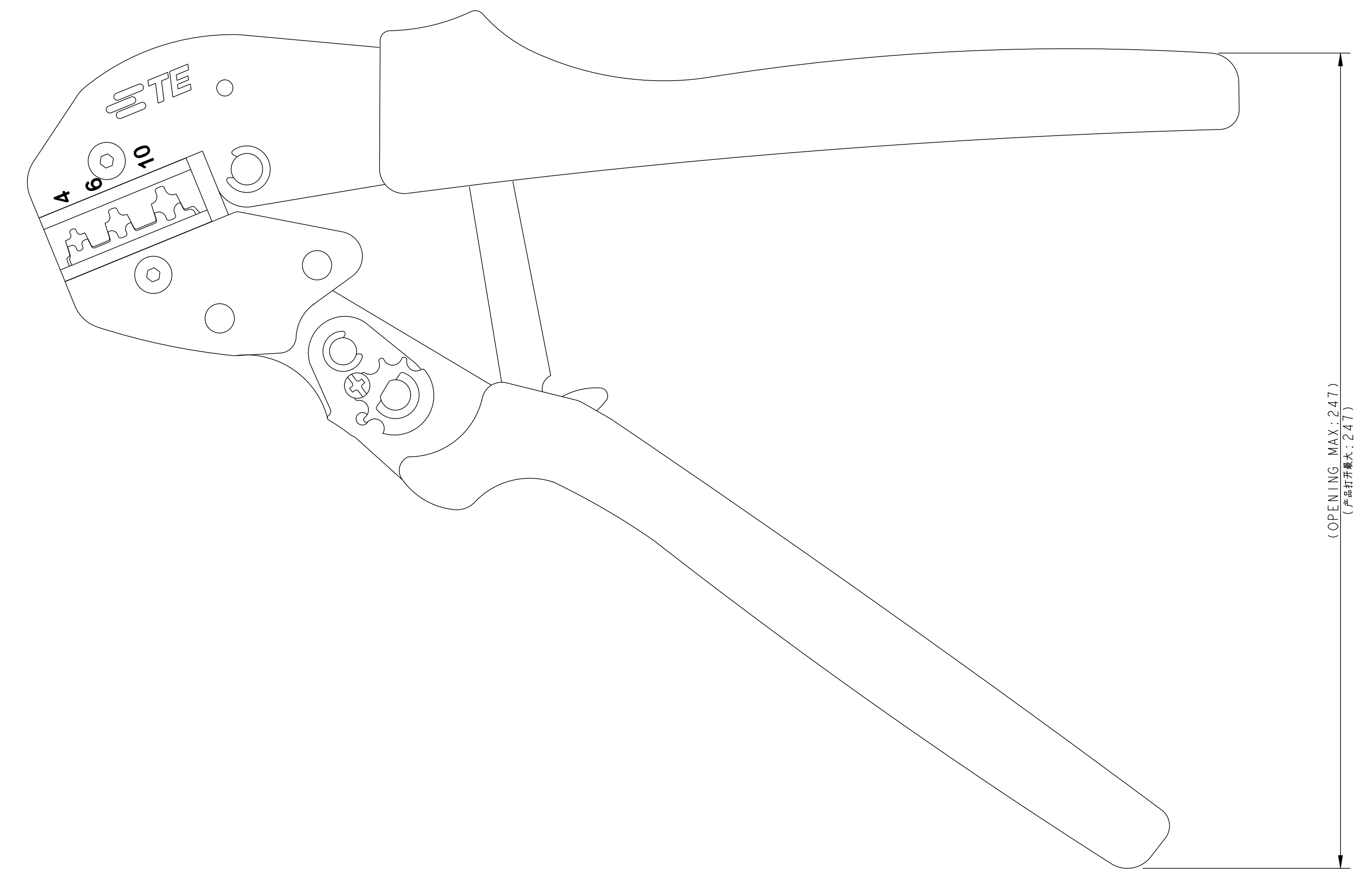
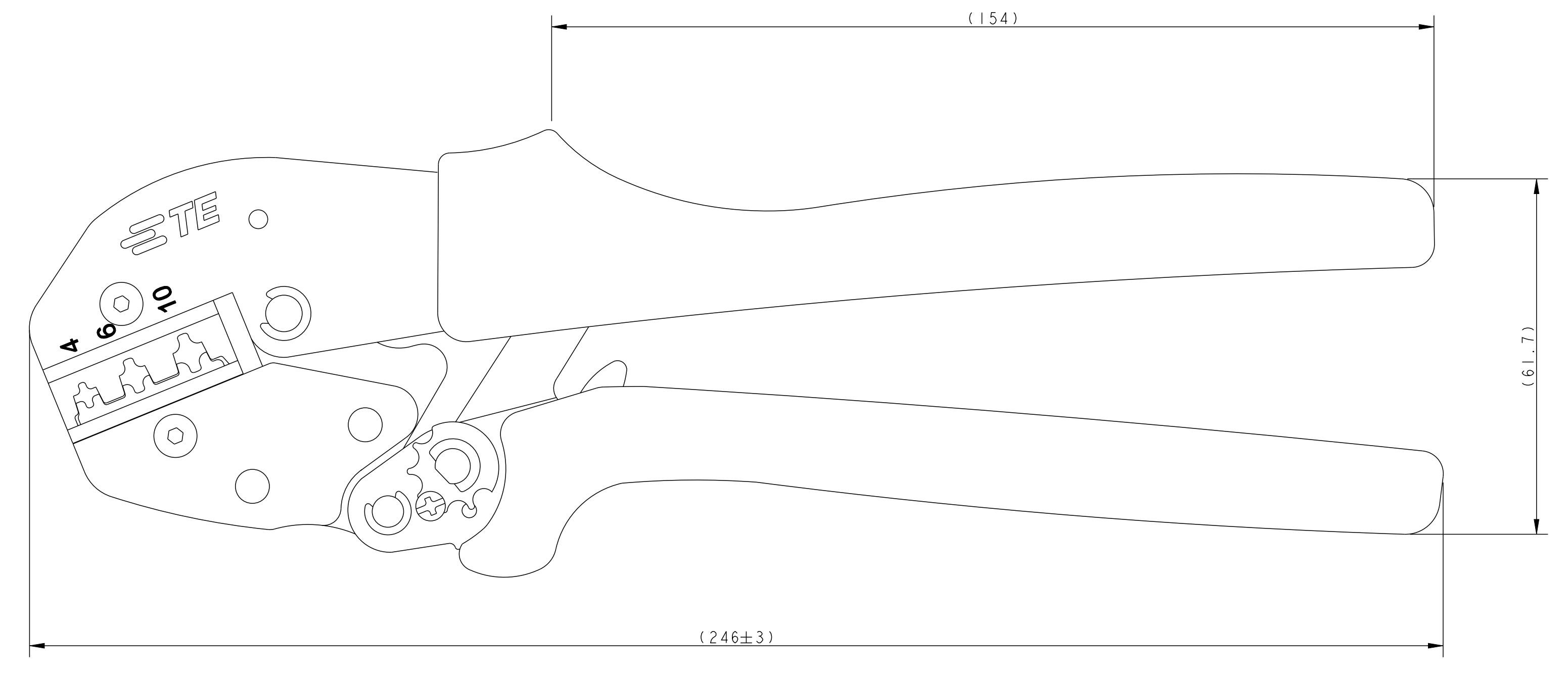


TYPE 1: WITH TE LOGO  
 类型 1: 带TE LOGO

REVISIONS			
REV	DATE	BY	APPD
A	INITIAL RELEASE	17MAY2019	BDR / CW
A1	ECR-19-012251	16SEP2019	BDR / CW



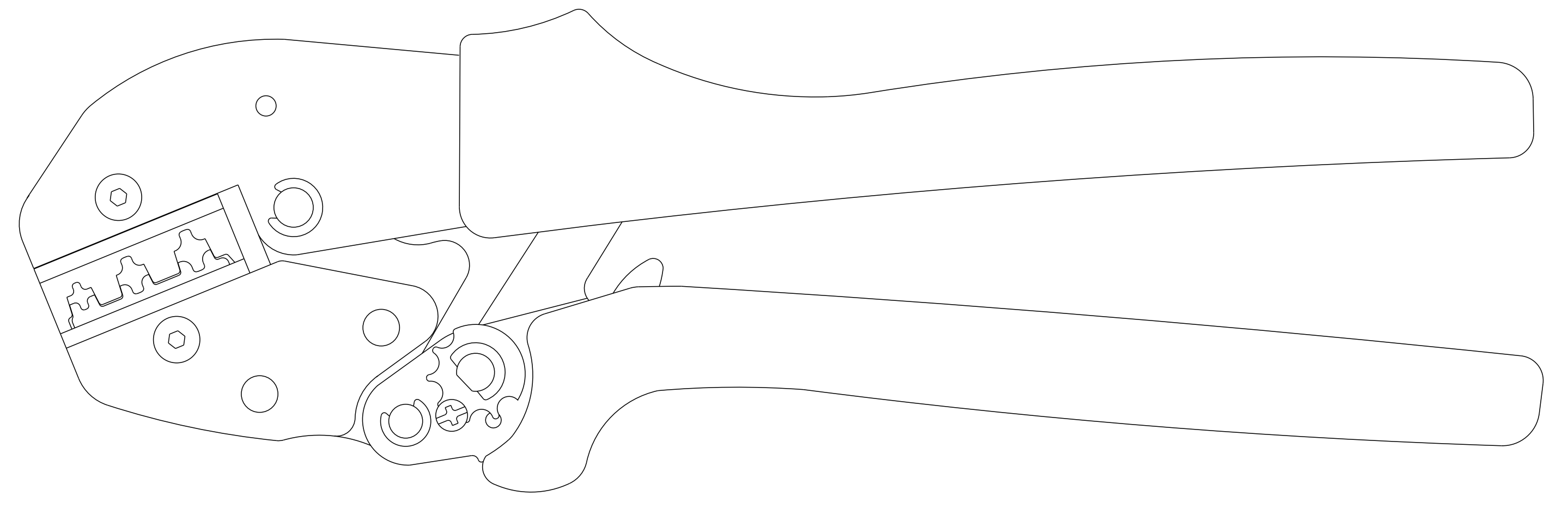
NOTES:

1. TECHNICAL CHARACTERISTICS:  
 PRODUCT DESIGNED FOR WIRE RANGE(4.0-10.0mm<sup>2</sup>).  
 PRODUCT DESIGNED FOR CMM/DMM/CMF/DMF CONTACTS.

注释:

1. 技术参数:  
 产品适用于4.0-10.0mm<sup>2</sup>端子。  
 产品适用于CMM/DMM/CMF/DMF针件。

TYPE 2: THIS TYPE IS SAME AS TYPE 1, ONLY NO LOGO  
 类型 2: 此类型同类型1, 只是无LOGO



T3100001001-001	CRIMPBOX-4.0/10.0, NO MARKING	CRIMP TOOL, 4.0-10.0mm <sup>2</sup> , 40A CONTACT, NO MARKING 压线钳, 4.0-10.0mm <sup>2</sup> 范围, 用于40A针件, 未打字	TYPE 2 类型 2
T3100001001-000	CRIMPBOX-4.0/10.0	CRIMP TOOL, 4.0-10.0mm <sup>2</sup> , 40A CONTACT 压线钳, 4.0-10.0mm <sup>2</sup> 范围, 用于40A针件	TYPE 1 类型 1
PART NUMBER 料号	PART DESCRIPTION 描述		TYPE 类型

THIS DRAWING IS A CONTROLLED DOCUMENT. DAN WENJING\_BAO 17MAY2019  
 CHEN YAO 17MAY2019  
 CHEN YAO 17MAY2019  
 CHEN YAO 17MAY2019

DIMENSIONS: 0 P/LC A: -  
 1 P/LC B: -  
 2 P/LC C: -  
 3 P/LC D: -  
 4 P/LC E: -  
 5 P/LC F: -  
 6 P/LC G: -  
 7 P/LC H: -  
 8 P/LC I: -  
 9 P/LC J: -  
 10 P/LC K: -  
 11 P/LC L: -  
 12 P/LC M: -  
 13 P/LC N: -  
 14 P/LC O: -  
 15 P/LC P: -  
 16 P/LC Q: -  
 17 P/LC R: -  
 18 P/LC S: -  
 19 P/LC T: -  
 20 P/LC U: -  
 21 P/LC V: -  
 22 P/LC W: -  
 23 P/LC X: -  
 24 P/LC Y: -  
 25 P/LC Z: -

MATERIAL: - FINISH: - WEIGHT: - ANGLE: -

CUSTOMER DRAWING

SCALE: 3:2 SHEET 1 OF 1 REV A1

TE Connectivity

CRIMPBOX-4.0/10.0

SIZE: A0 CASE CODE: 00779 DRAWING NO: T310000100100X RESTRICTED TO: -

单击下面可查看定价，库存，交付和生命周期等信息

[>>TE Connectivity\(泰科\)](#)