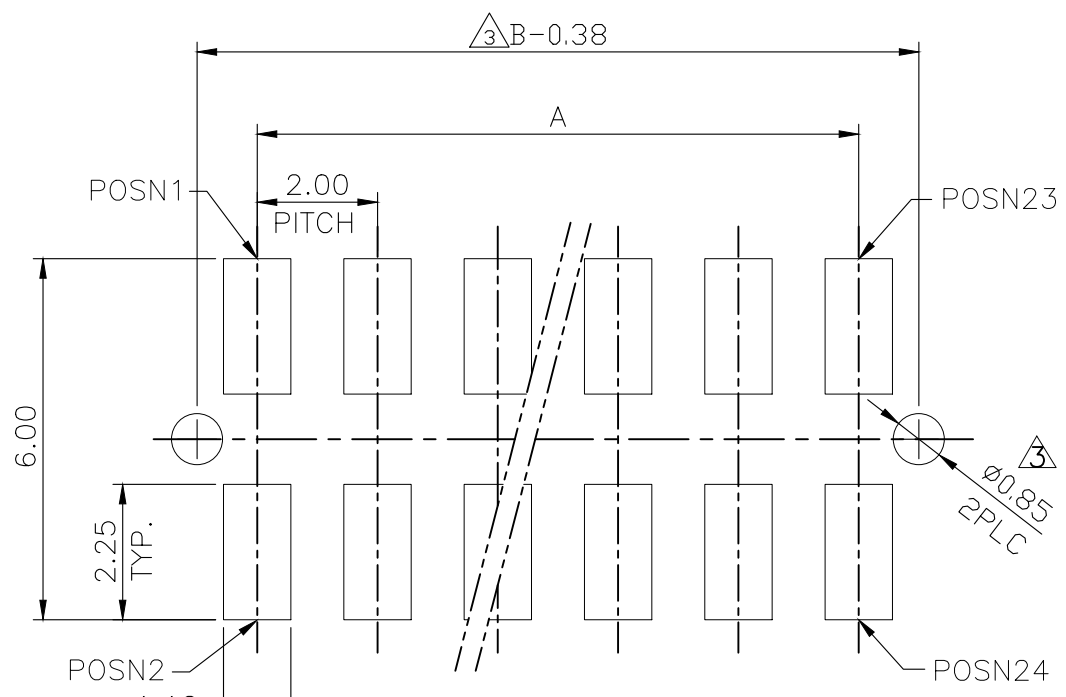
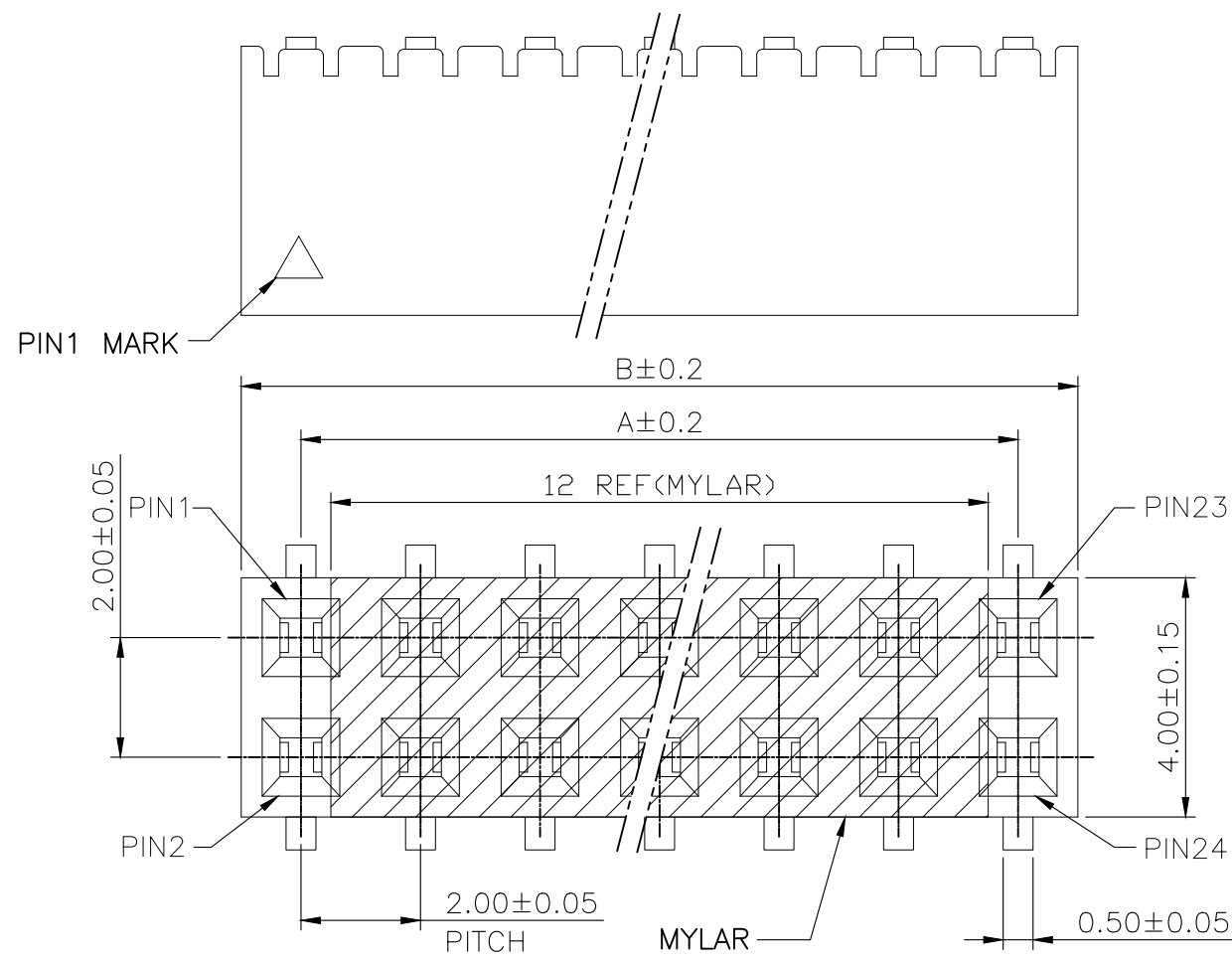
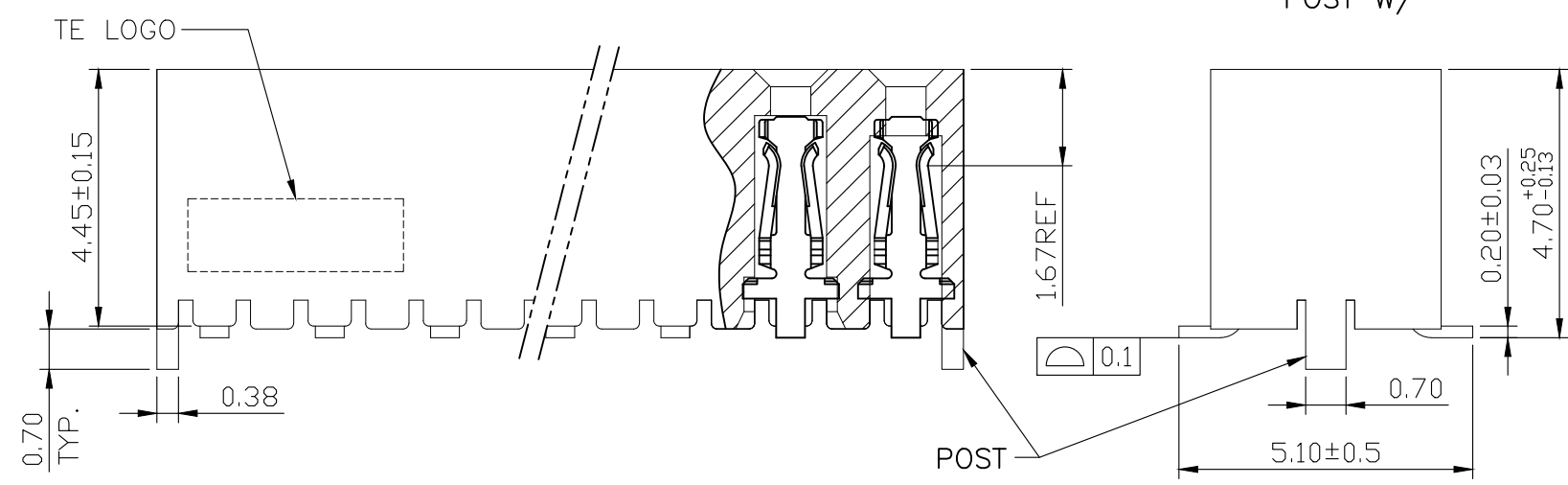


REVISIONS					
P	LTR	DESCRIPTION	DATE	DWN	APVD
	A3	16 POSITION PN INFORMATION ADDED	09JAN2018	RK	PS



RECOMMENDED PCB LAYOUT
TOLERANCE ±0.05



POST W/

POST W/O

OBsolete

	W/O	16	14	16	6-2041069-6
	W/	16	14	16	1-2041069-6
	W/O	24	22	24	7-2041069-4
	W/	24	22	24	2-2041069-4
POST	B	A	POS	PART NUMBER	

- NOTE:
- 1 MATERIAL: HOUSING: LCP GF30%, UL 94V-0 ,COLOR: BLACK.
CONTACT: PHOSPHOR BRONZE
MYLAR: POLYIMIDE FILM
 - 2 FINISH: Au 0.762µm [30µ"] MIN. AT THE CONTACT AREA.
MATTE Tin 2.54µm [100µ"] MIN. AT THE SOLDER TAIL AREA.
Ni 1.27µm [50µ"] MIN. UNDER PLATED ALL OVER.
 - 3 POST APPLY PN USED
 - 4. REFLOW SOLDER CAPABLE TO 260°C PER TE TEST SPEC.
109-201, CONDITION B.
 - 5. QUALIFICATION TEST REPORT: 501-57197

THIS DRAWING IS A CONTROLLED DOCUMENT.	
DIMENSIONS: mm	TOLERANCES UNLESS OTHERWISE SPECIFIED:
	0 PLC ± -
	1 PLC ± 0.3
	2 PLC ± 0.2
	3 PLC ± -
	4 PLC ± -
	ANGLES ± 3'
MATERIAL 1	FINISH 2

DWN	O.HU	18AUG2006
CHK	S.HOU	18AUG2006
APVD	W.J.KE	18AUG2006
PRODUCT SPEC	108-57707	
APPLICATION SPEC	-	
WEIGHT	-	
CUSTOMER DRAWING		

STE TE Connectivity

AMPMODU 2.00mm PITCH, DUAL ROW, REC., SURFACE MOUNT

SIZE	CAGE CODE	DRAWING NO	RESTRICTED TO
A3	00779	C-2041069	-

SCALE 1:1 SHEET 1 OF 2 REV A3

4

3

2

1

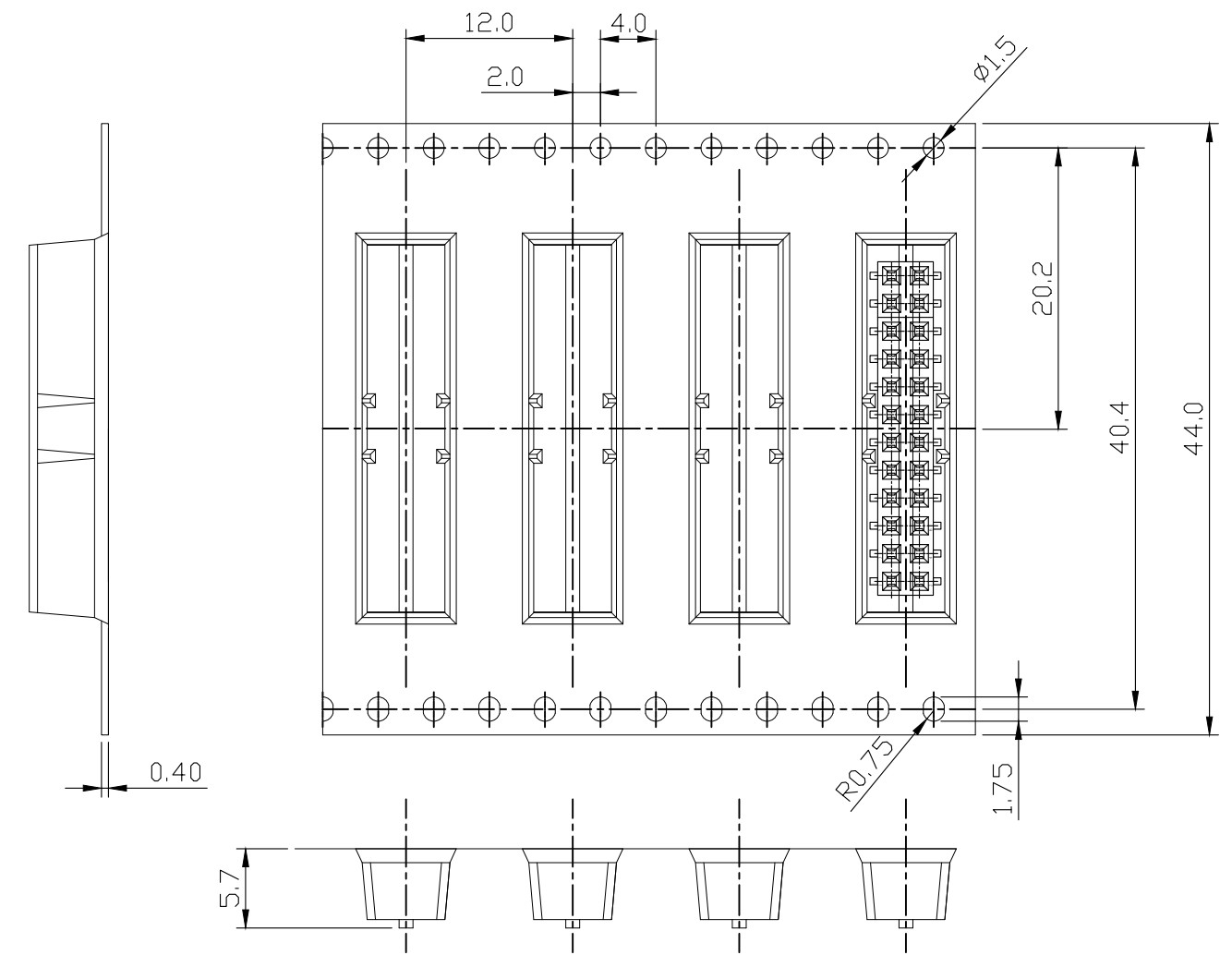
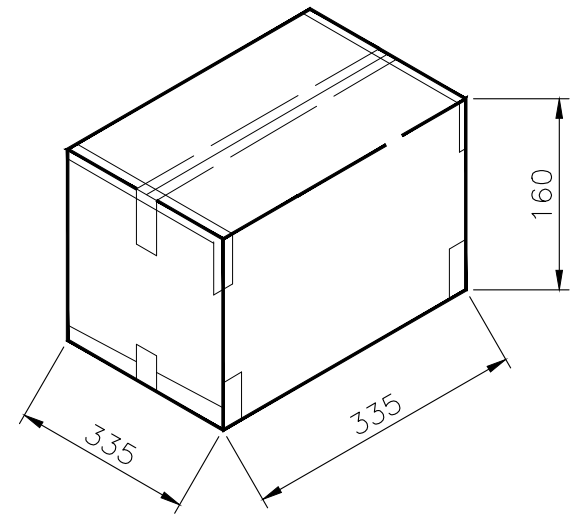
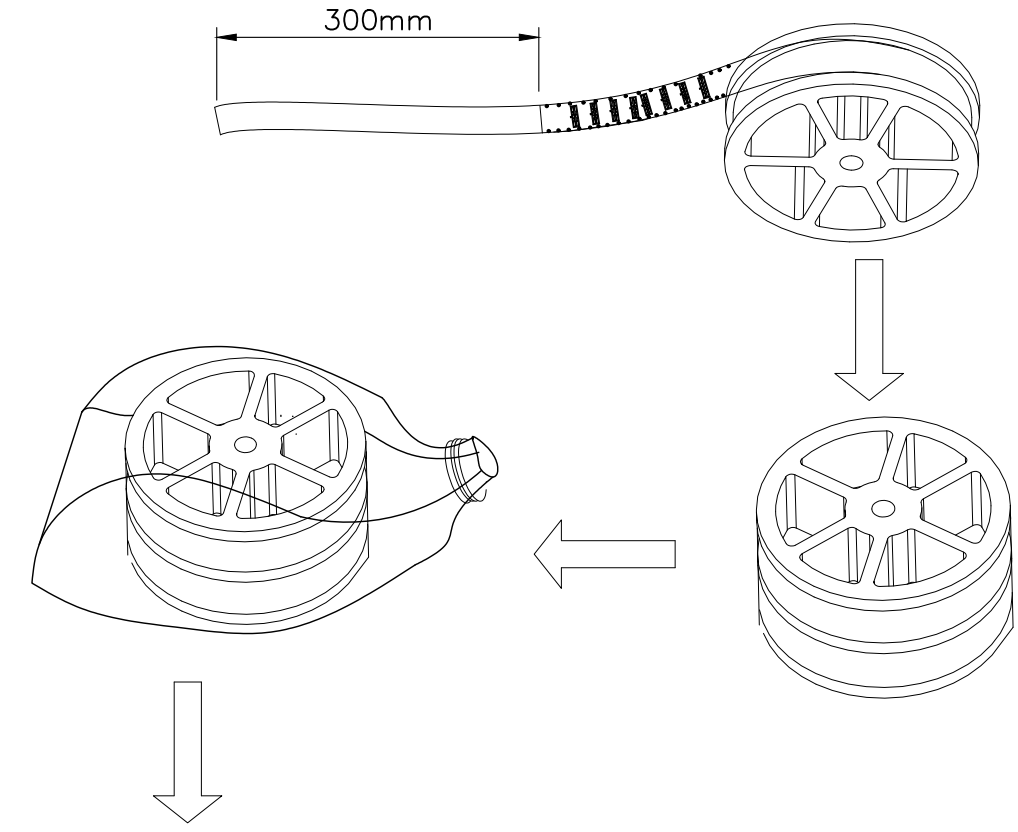
THIS DRAWING IS UNPUBLISHED RELEASED FOR PUBLICATION AUG ,2006.

© COPYRIGHT 2006 By - TE CONNECTIVITY


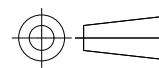
ALL RIGHTS RESERVED.

REVISIONS

P	LTR	DESCRIPTION	DATE	DWN	APVD
-	-	SEE SHEET 1	-	-	-



900	3	2700	3.6	1.9
PCS/REEL	REELS/SHIPPING BOX	QUANTITY (PCS)	G/W (Kg)	N/W (Kg)

THIS DRAWING IS A CONTROLLED DOCUMENT.		DWN	O.HU	18AUG2006	 TE Connectivity		
DIMENSIONS: mm		CHK	S.HOU	18AUG2006			
		APVD	W.J.KE	18AUG2006			
TOLERANCES UNLESS OTHERWISE SPECIFIED: 0 PLC ± - 1 PLC ± 0.3 2 PLC ± 0.2 3 PLC ± - 4 PLC ± - ANGLES ± 3°		PRODUCT SPEC	108-57707				
MATERIAL	SEE SHEET 1	FINISH	SEE SHEET 1	NAME	AMPMODU 2.00mm PITCH, DUAL ROW, REC., SURFACE MOUNT		
CUSTOMER DRAWING		WEIGHT	-		SIZE	A3	
				APPLICATION SPEC	-	CAGE CODE	00779
				RESTRICTED TO	-	DRAWING NO	C-2041069
				SCALE	1:1	SHEET	2 OF 2
				REV	A3		

单击下面可查看定价，库存，交付和生命周期等信息

[>>TE Connectivity\(泰科\)](#)