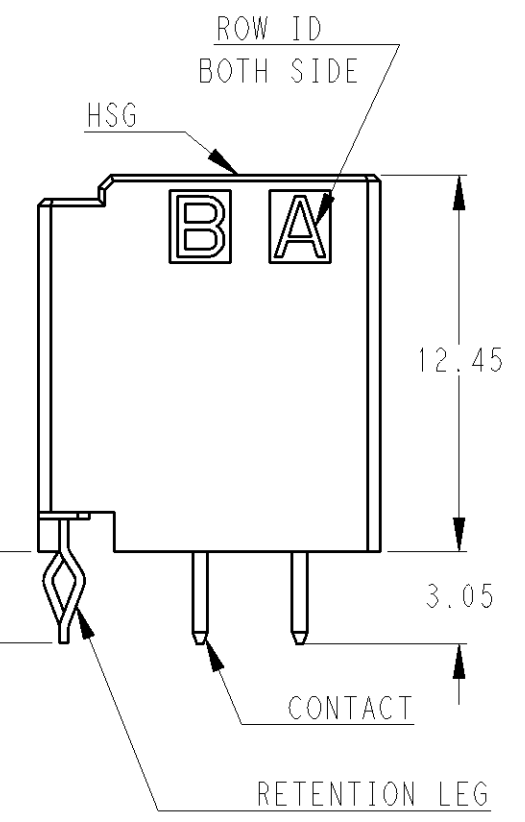
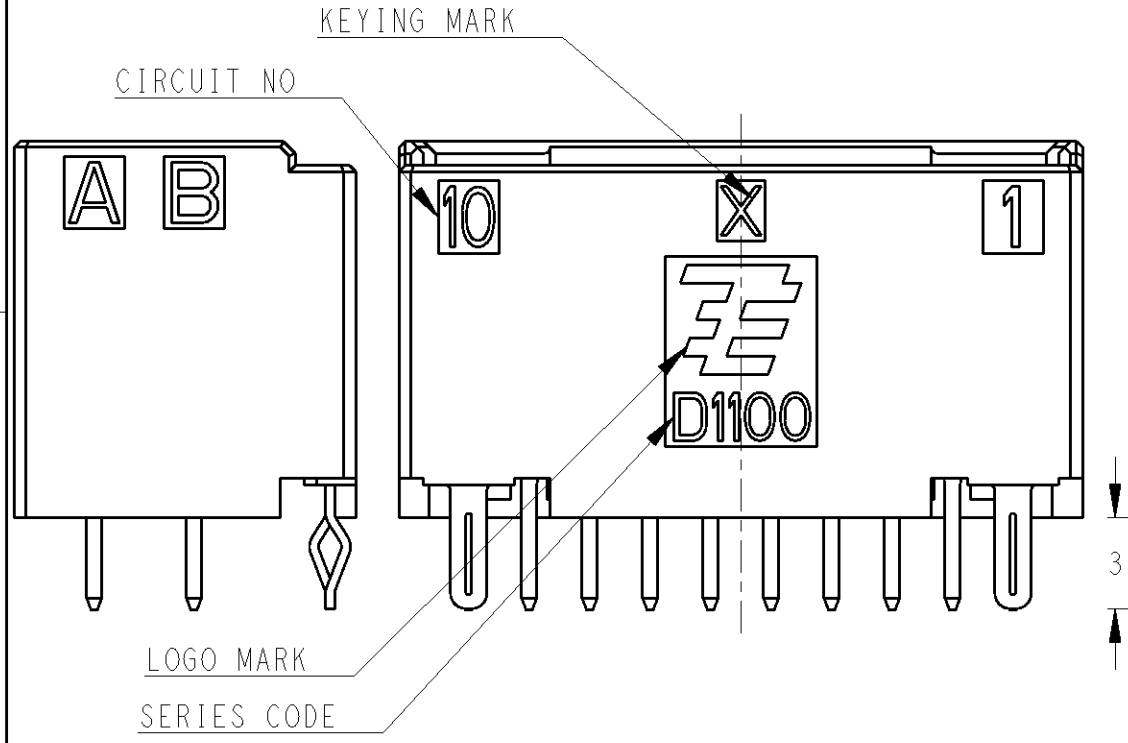
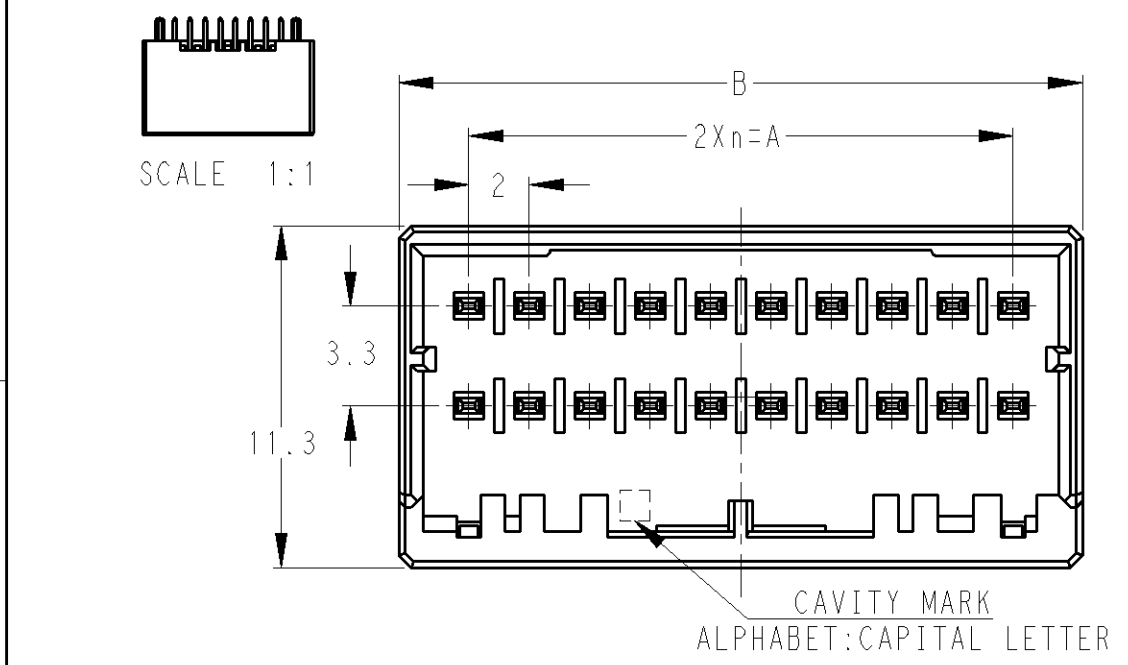
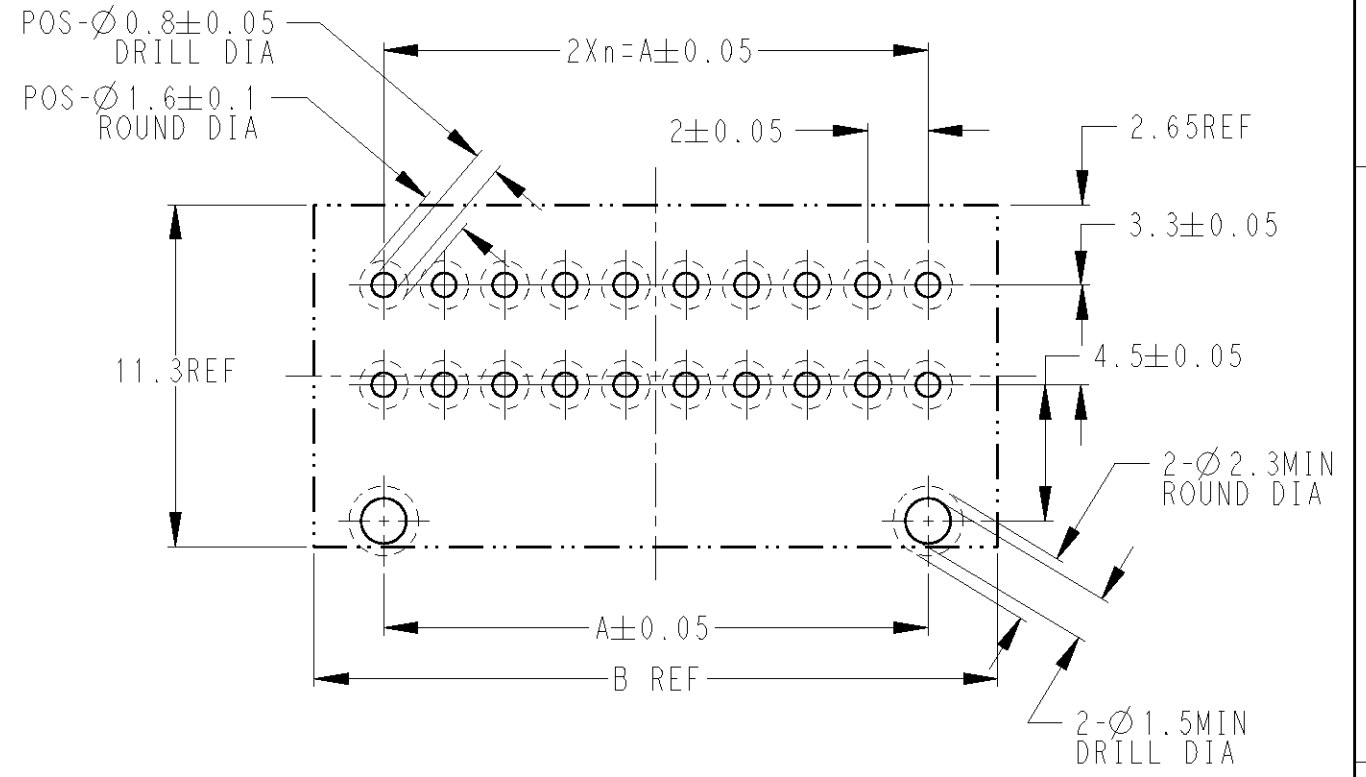


LOC	DIST	REVISIONS					
		P	LTR	DESCRIPTION	DATE	DWN	APVD
J	-		A	RELEASED	06JAN2010	R.K	N.Y
			B	ADDITION NEW PART NO	22NOV2010	M.M	N.Y

RECOMMEND PC BOARD HOLE PATTERN
 : CONNECTOR MOUNT SIDE
 (NOT ACCUMULATE TOLERANCE)
 PC BOARD THICKNESS : 1.0~1.6±0.1
 推奨基板取付寸法 : コネクタ搭載面(非累積公差)
 PC基板厚 : 1.0~1.6±0.1

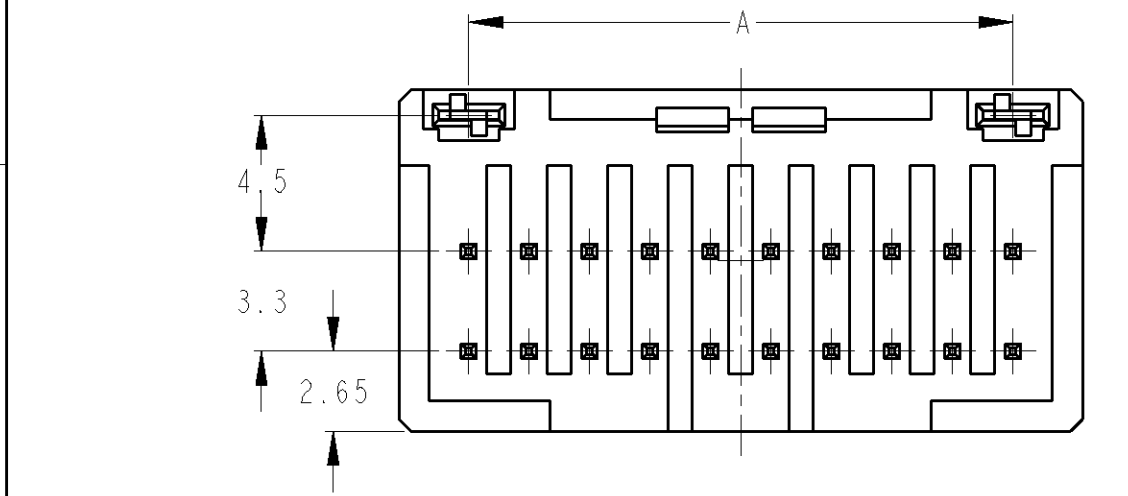


- MATERIAL: HOUSING: GLASS FILED THERMO PLASTIC POLYESTER (94V-0)
 COLOR: BLACK
 CONTACT: PRE-TIN COPPER ALLOY
 RETENTION LEG: PRE-TIN COPPER ALLOY
- THE SHAPE, SIZE AND POSITION OF THE CHARACTER SHOW THE OUTLINE. THEY DON'T SHOW DETAILS.

1. 材料: ハウジング: ガラス入り熱可塑性ポリエステル樹脂(94V-0) 色: 黒
 コンタクト: 錫めっき銅合金
 リテンションレグ: 錫めっき銅合金

2. 文字の形状、大きさ、および位置については、大略を示すものであり、詳細を示すものではありません。

20	X	9	18.0	22.6	1-1554590-0
10	X	4	8.0	12.6	1-1554590-5
POS	KEY	n	A	B	PART NO

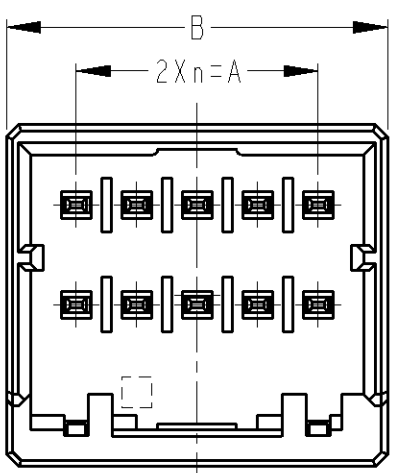


20POS(X-KEY): 1-1554590-0

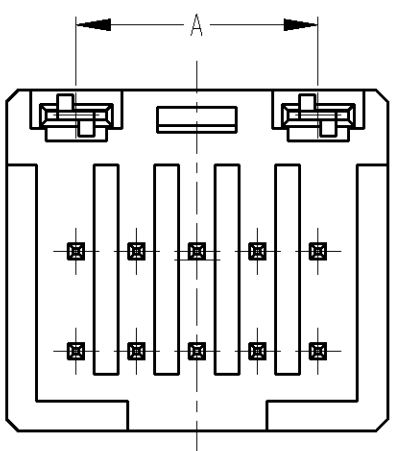
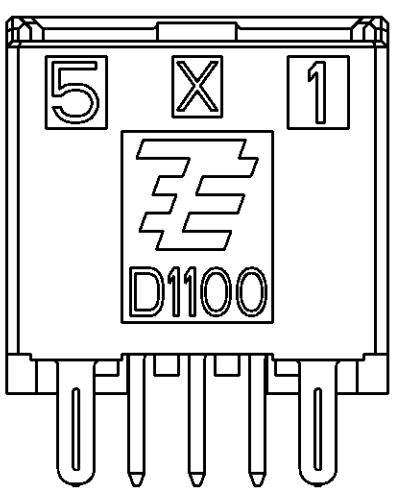
THIS DRAWING IS A CONTROLLED DOCUMENT FOR TYCO ELECTRONICS CORPORATION IT IS SUBJECT TO CHANGE AND THE CONTROLLING ENGINEERING ORGANIZATION SHOULD BE CONTACTED FOR THE LATEST REVISION.		DWN R. KIKUCHI 24DEC2009	Tyco Electronics Corporation Kawasaki, Japan													
DIMENSIONS: 単位: 概 mm		CHK N. YAMASAKI 24DEC2009														
TOLERANCES UNLESS OTHERWISE SPECIFIED: 一般公差 ±0.3, ±5°		APVD N. YAMASAKI 24DEC2009	NAME 名称 DYNAMIC D1100D 2.0mm PITCH HDR ASSY (V-TYPE) BLACK PRE-TIN PLATE 4-20POS													
<table border="1"> <tr> <td>0-PLC</td> <td>±</td> </tr> <tr> <td>1-PLC</td> <td>±</td> </tr> <tr> <td>2-PLC</td> <td>±</td> </tr> <tr> <td>3-PLC</td> <td>±</td> </tr> <tr> <td>4-PLC</td> <td>±</td> </tr> <tr> <td>ANGLES</td> <td>±</td> </tr> </table>		0-PLC	±	1-PLC	±	2-PLC	±	3-PLC	±	4-PLC	±	ANGLES	±	PRODUCT SPEC 製品規格 108-78298	SIZE A3	
0-PLC	±															
1-PLC	±															
2-PLC	±															
3-PLC	±															
4-PLC	±															
ANGLES	±															
MATERIAL 材料		APPLICATION SPEC 取付適用規格 114-5377	CAGE CODE 00779	RESTRICTED TO												
FINISH 仕上		WEIGHT -	DRAWING NO C=1554590													
		CUSTOMER DRAWING	SCALE 尺度 4:1	SHEET 1 OF 2												
				REV B												

THIS DRAWING IS UNPUBLISHED. RELEASED FOR PUBLICATION 20
 © COPYRIGHT 20 BY TYCO ELECTRONICS CORPORATION. ALL RIGHTS RESERVED.

LOC	DIST	REVISIONS			
P	LTR	DESCRIPTION	DATE	DWN	APVD
J	-	SEE SHEET 1 OF 2	-	-	-



1-1554590-5
10POS(X-KEY)



<small>THIS DRAWING IS A CONTROLLED DOCUMENT FOR TYCO ELECTRONICS CORPORATION. IT IS SUBJECT TO CHANGE AND THE CONTROLLING ENGINEERING ORGANIZATION SHOULD BE CONTACTED FOR THE LATEST REVISION.</small>		DWN R. KIKUCHI 24DEC2009 CHK N. YAMASAKI 24DEC2009 APVD N. YAMASAKI 24DEC2009	Tyco Electronics Corporation Kawasaki, Japan
DIMENSIONS: mm	TOLERANCES UNLESS OTHERWISE SPECIFIED: 0 PLC ± 2 PLC ± 3 PLC ± 4 PLC ± ANGLES ±	PRODUCT SPEC 108-78298 APPLICATION SPEC 114-5377	NAME DYNAMIC D1100D 2.0mm PITCH HDR ASSY (V-TYPE) BLACK PRE-TIN PLATE 4-20POS
MATERIAL	FINISH	WEIGHT -	SIZE A3 CAGE CODE 00779 DRAWING NO. 1554590 RESTRICTED TO -
		CUSTOMER DRAWING	SCALE 4:1 SHEET 2 OF 2 REV B

SEE SHEET 1 OF 2

单击下面可查看定价，库存，交付和生命周期等信息

[>>TE Connectivity\(泰科\)](#)