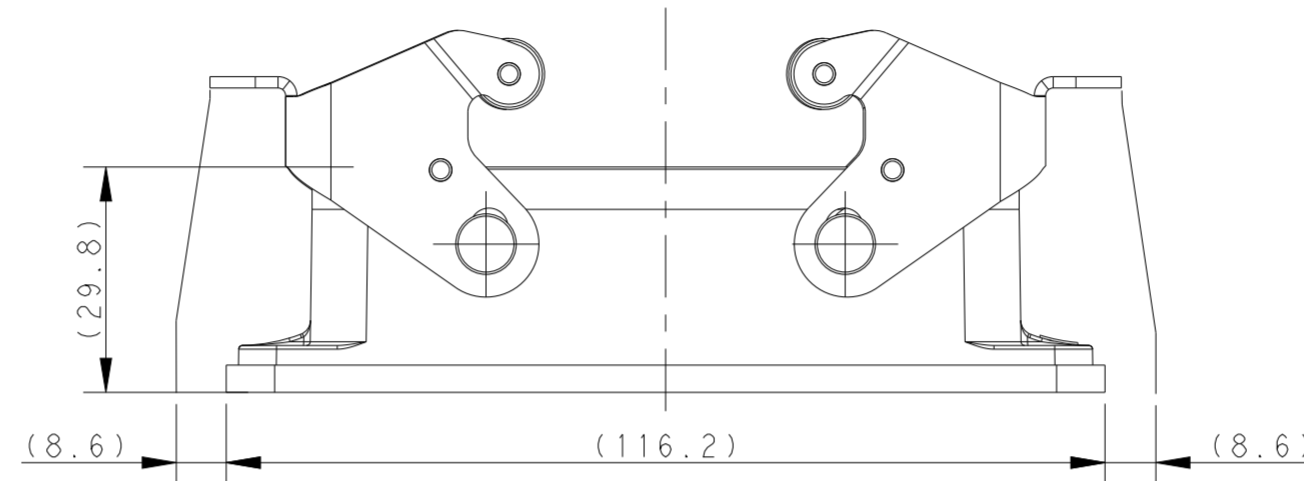
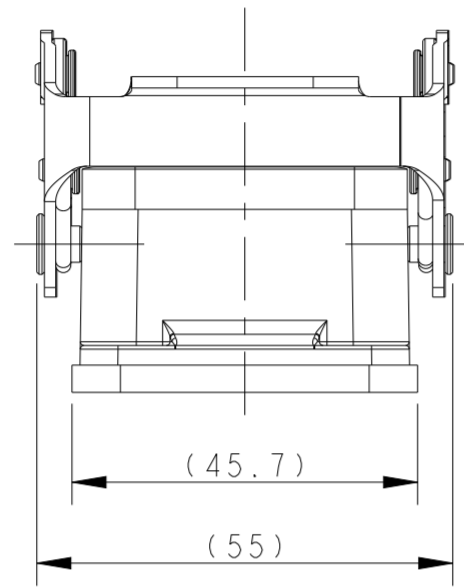
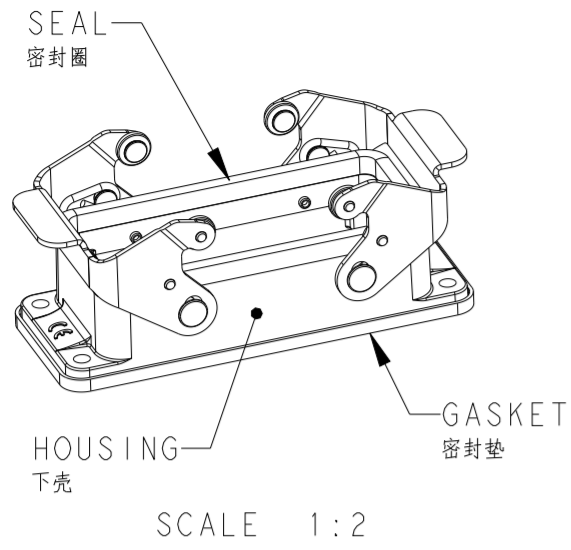


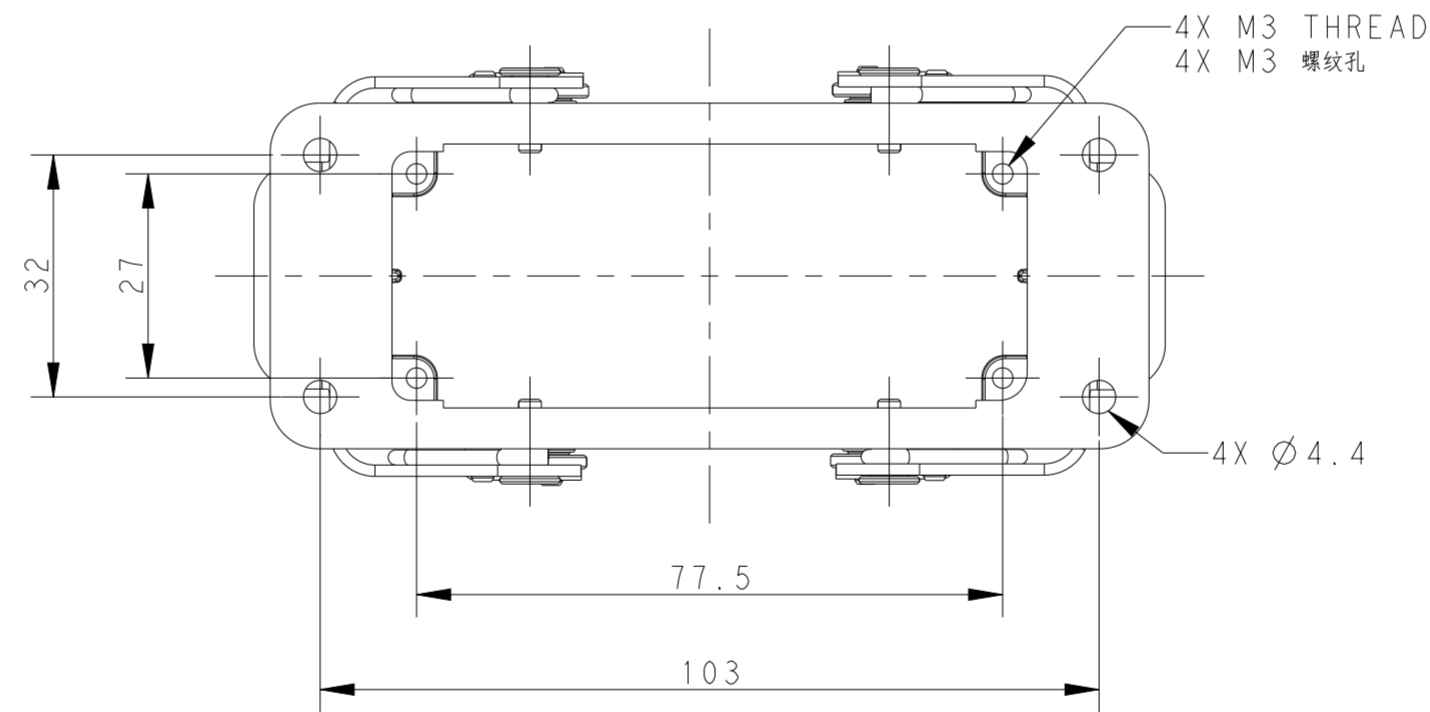
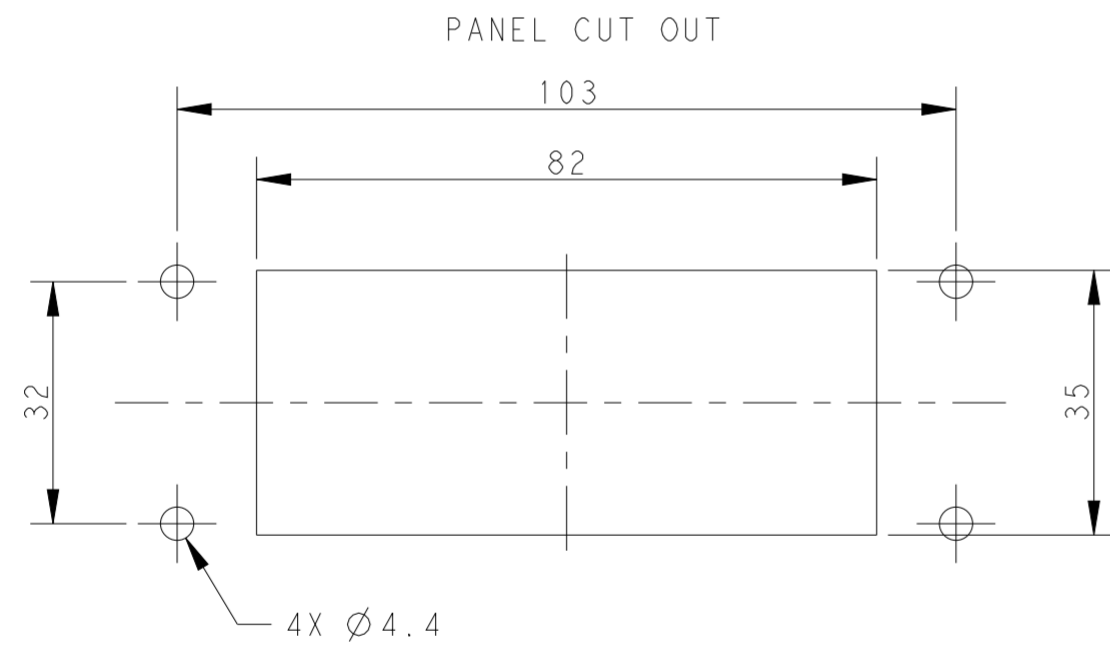
THIS DRAWING IS UNPUBLISHED. RELEASED FOR PUBLICATION 20
 © COPYRIGHT 20 BY - ALL RIGHTS RESERVED.

REVISIONS					
P	LTR	DESCRIPTION	DATE	DWN	APVD
A2		ECR-15-010519	20JUN2015	DW	CW
A3		ECR-16-010326	07JUL2016	DW	CW
A4		ECR-16-018349	30DEC2016	DW	CW
B		ECR-20-008190	01SEP2020	WOR	CW



NOTES:
 1. TECHNICAL CHARACTERISTICS:
 HOUSING MATERIAL: DIE CAST ALUMINIUM ALLOY
 HOUSING SURFACE: POWDER COATED, GREY, RAL7037
 SEAL MATERIAL: NBR
 GASKET MATERIAL: EPDM
 DEGREE OF PROTECTION: IP65 (MATED)

注释:
 1. 技术参数:
 下壳材料: 铝合金
 下壳表面处理: 灰色粉末涂层, RAL7037
 密封圈材料: NBR
 密封垫材料: EPDM
 防护等级: IP65(配合)



T1410161000-000	H16B-AGS	H16B HOUSING, BULKHEAD MOUNTED, STAINLESS STEEL DOUBLE LOCKING POWDER COATED, GREY H16B下壳, 开孔安装, 不锈钢双扣, 灰色粉末喷涂
PART NUMBER 零件料号	PART DESCRIPTION 零件描述	

THIS DRAWING IS A CONTROLLED DOCUMENT.		DWN DAVID WANG 11 JUN 2014	STE TE Connectivity	
DIMENSIONS: mm		CHK CHRIS WANG 11 JUN 2014		
TOLERANCES UNLESS OTHERWISE SPECIFIED:		APVD XIANG XU 11 JUN 2014	NAME H16B-AGS	
0 PLC ±		PRODUCT SPEC 108-137013	SIZE A2	
1 PLC ±		APPLICATION SPEC 114-137013	CAGE CODE 00779	DRAWING NO T1410161000000
2 PLC ±		MATERIAL -	RESTRICTED TO	
3 PLC ±		FINISH -	SCALE 1:1	SHEET 1 OF 1
4 PLC ±		MATERIAL -	CUSTOMER DRAWING	REV B
ANGLES ±				

单击下面可查看定价，库存，交付和生命周期等信息

[>>TE Connectivity\(泰科\)](#)