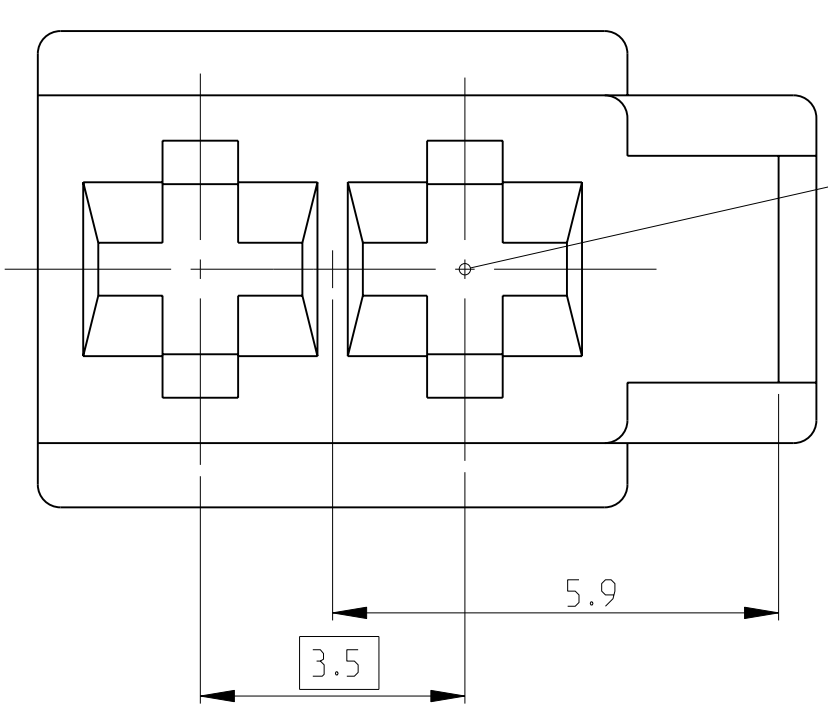
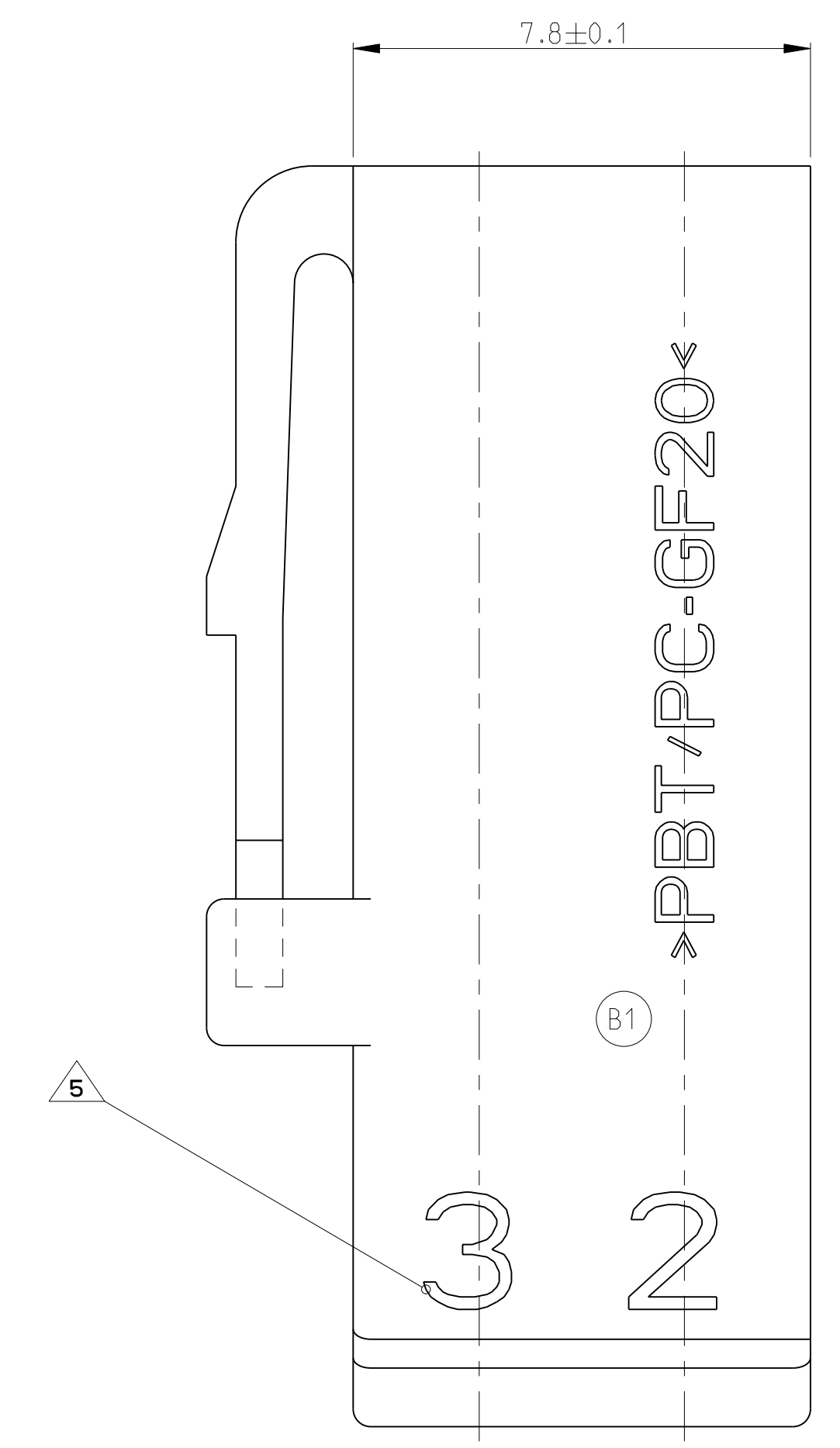
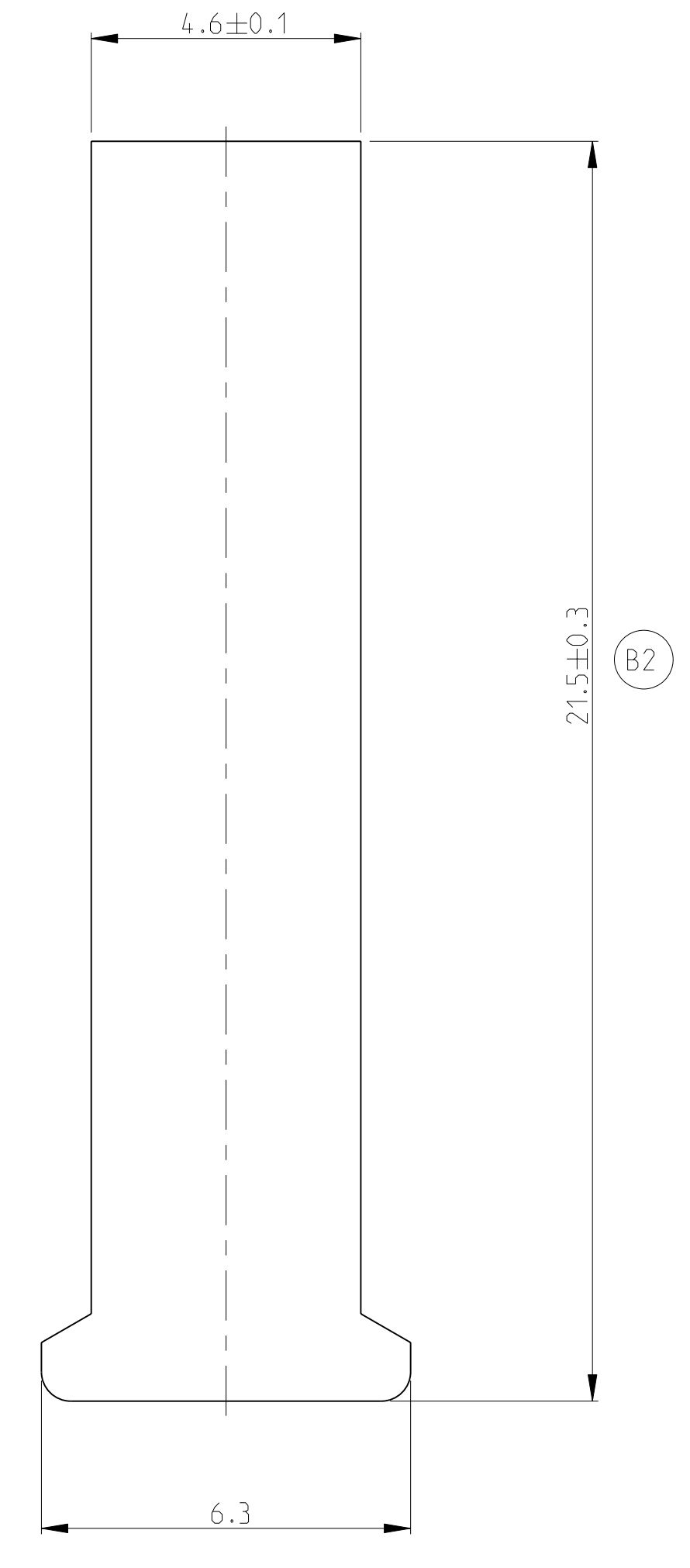
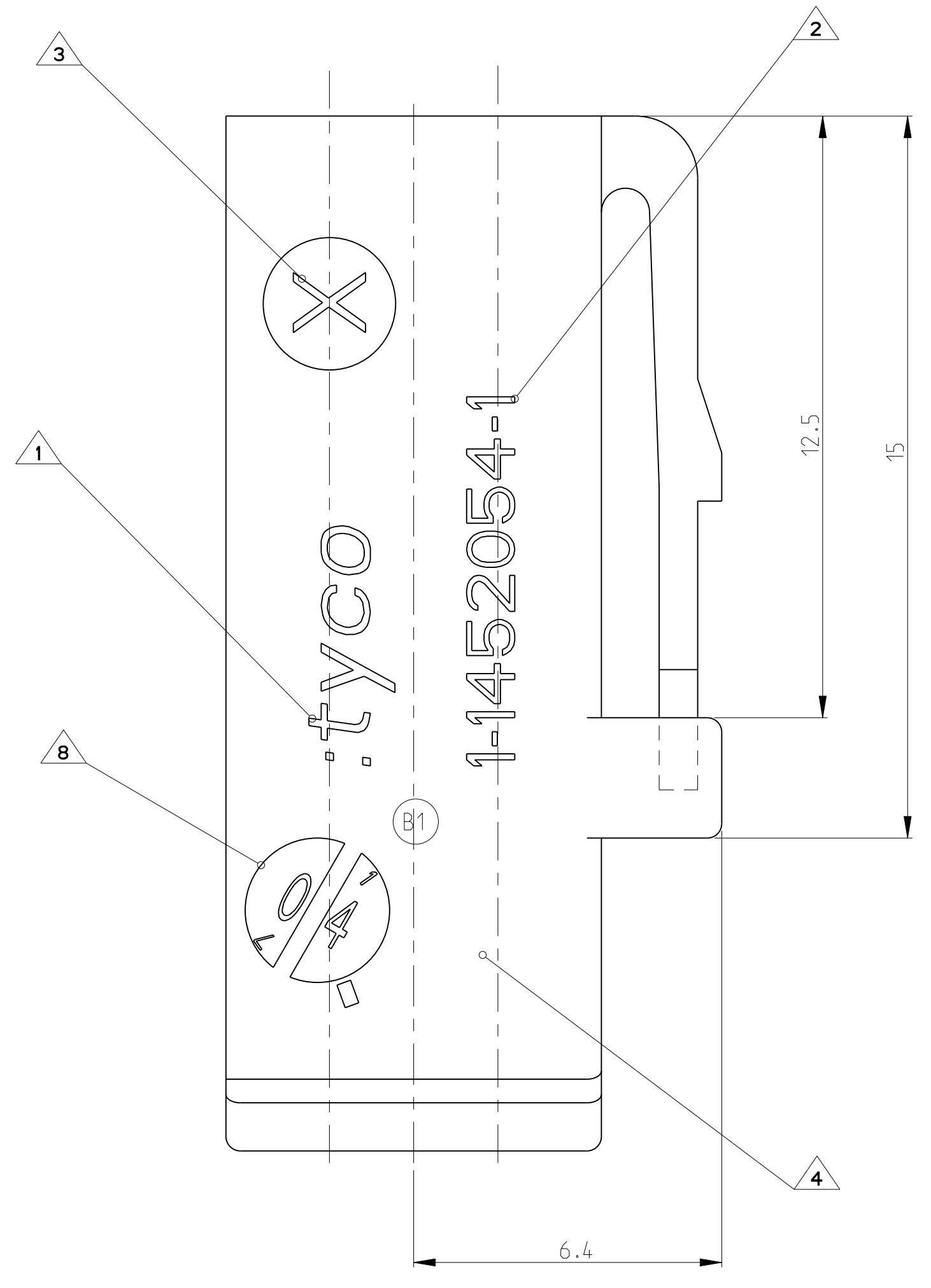
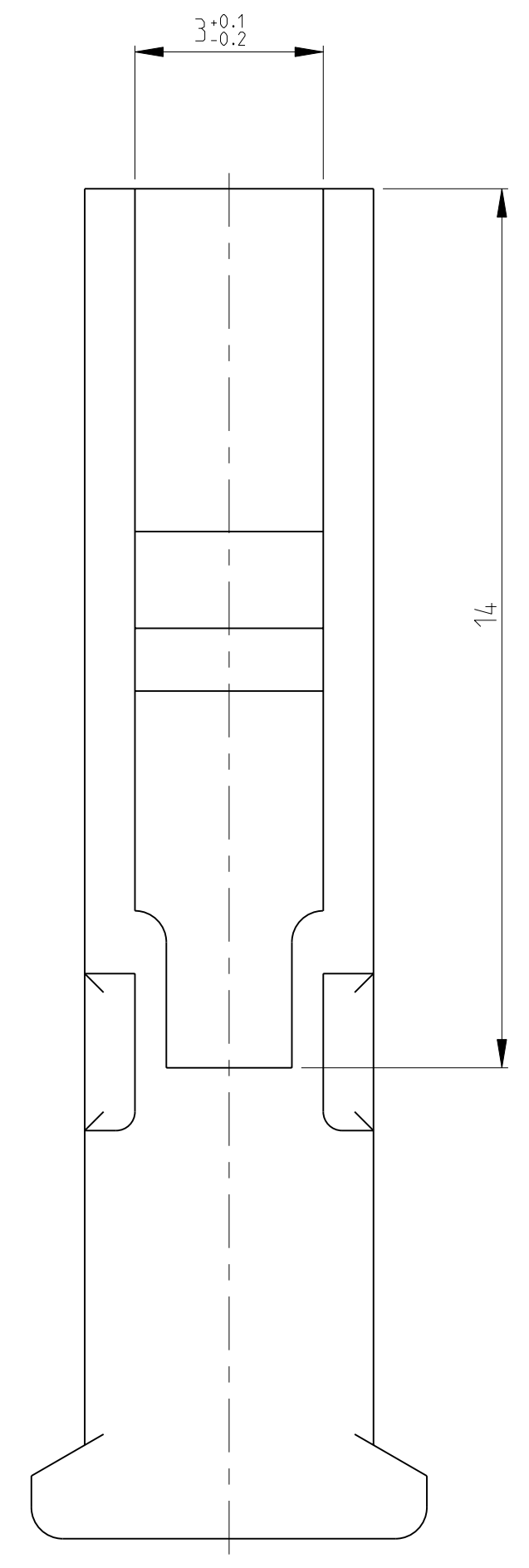
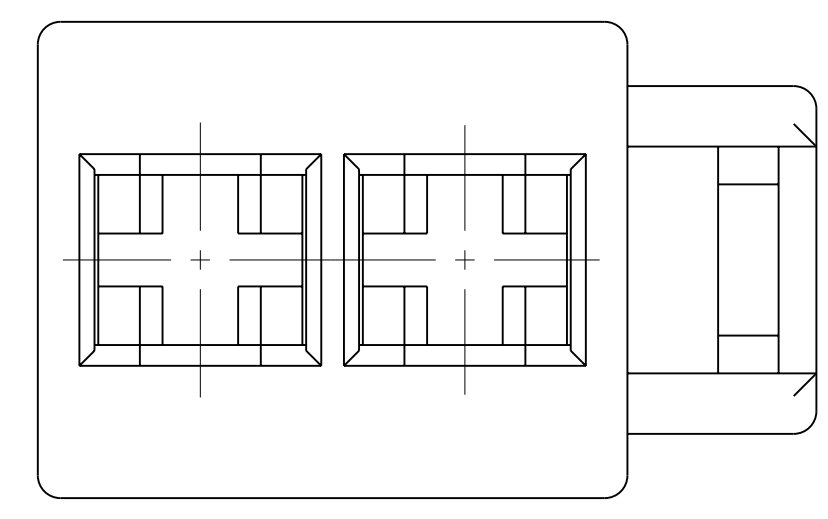


LOC	DIST	REV	LTB	DESCRIPTION	DATE	DWN	APVD
A1	-	A		SEE PCN EGAO-2726-00	15NOV2000	H.M.	T.K.
		B		SEE PCN EGAO-0704-04-3	18MAR2004	M.D.	V.B.
		B1		SEE PCN EGAO-0752-04-3	26MAR2004	SKH	V.B.
		B2		SEE E-09-020210	10SEP2009	FU	HR

- NOTES
Bemerkungen
- 1 tyco-TRADMARK
tyco-Warenzeichen
 - 2 ORDER - NUMBER
Bestell-Nummer
 - 3 REVISIONS - NUMBER
Werkzeug Änderungsindex
 - 4 CAVITY MARKING
Nestmarkierung
 - 5 CAVITY IDENTIFICATION
Kammerbezeichnung
 - 6 LOOSE PARTS PACKAGED IN CARTON
Verpackung, lose im Karton
 - 7 TOLERANCES UNLESS OTHERWISE SPECIFIED ±0.2
Toleranzen wenn nicht anders spezifiziert ±0.2
 - 8 PRODUCTION DATE WITH DATA INSERT
Produktionsdatum mit Datumstempel



CAVITY FOR WIRE RANGE MAX. 1.0 Sq. mm FLR-INSULATION DIAMETER 2.1-0.2 mm

REVISIONS									
REV	DATE	BY	CHK	DESCRIPTION	DATE	DWN	APVD		
A1	15NOV2000	H. Meinhardt	T. Kilian	SEE PCN EGAO-2726-00	15NOV2000	H.M.	T.K.		
B	18MAR2004	M.D.	V.B.	SEE PCN EGAO-0704-04-3	18MAR2004	M.D.	V.B.		
B1	26MAR2004	SKH	V.B.	SEE PCN EGAO-0752-04-3	26MAR2004	SKH	V.B.		
B2	10SEP2009	FU	HR	SEE E-09-020210	10SEP2009	FU	HR		

CUSTOMER PART NO.	PART NO.	REV	POS	DESCRIPTION	MATERIAL	WEIGHT (g)	COLOR	ITEM NO.
-	1-1452054-1	B	1	2POS. MT2 HOUSING	PBT/PC-GF20	0.8	BLACK	1

DIMENSIONS		TOLERANCES UNLESS OTHERWISE SPECIFIED:	
MASSNEMEN:	mm	OTHERWISE SPECIFIED:	ALLGEMEINTOLERANZEN:
1	PLC	±0.1	±0.1
2	PLC	±0.01	±0.01
3	PLC	±0.001	±0.001
4	PLC	±0.0001	±0.0001

DATE	BY	CHK	DESCRIPTION	DATE	DWN	APVD
15NOV2000	H. Meinhardt	T. Kilian	SEE PCN EGAO-2726-00	15NOV2000	H.M.	T.K.

SCALE	SHEET	OF	REV
10:1	1	1	B2

单击下面可查看定价，库存，交付和生命周期等信息

[>>TE Connectivity\(泰科\)](#)