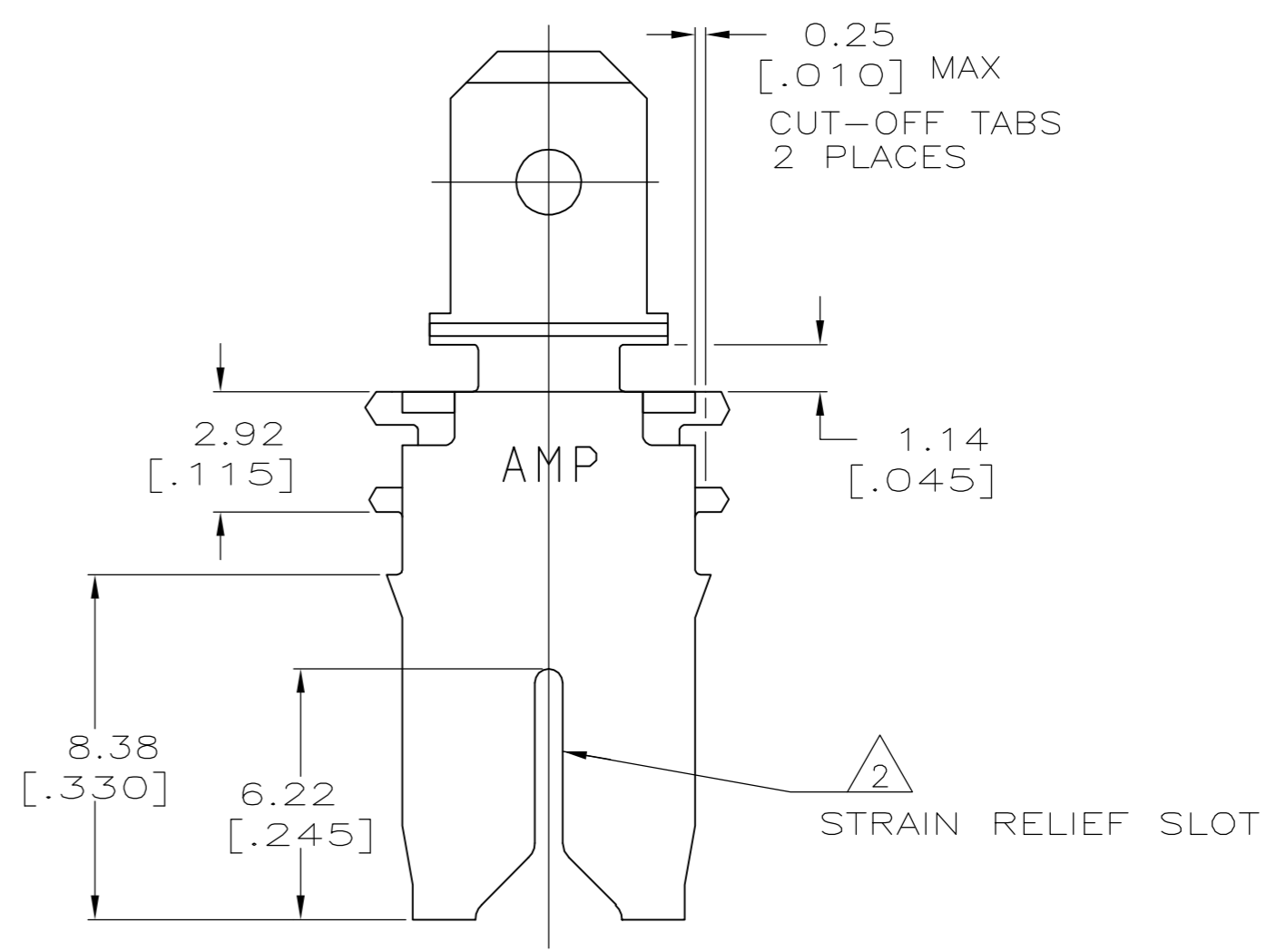
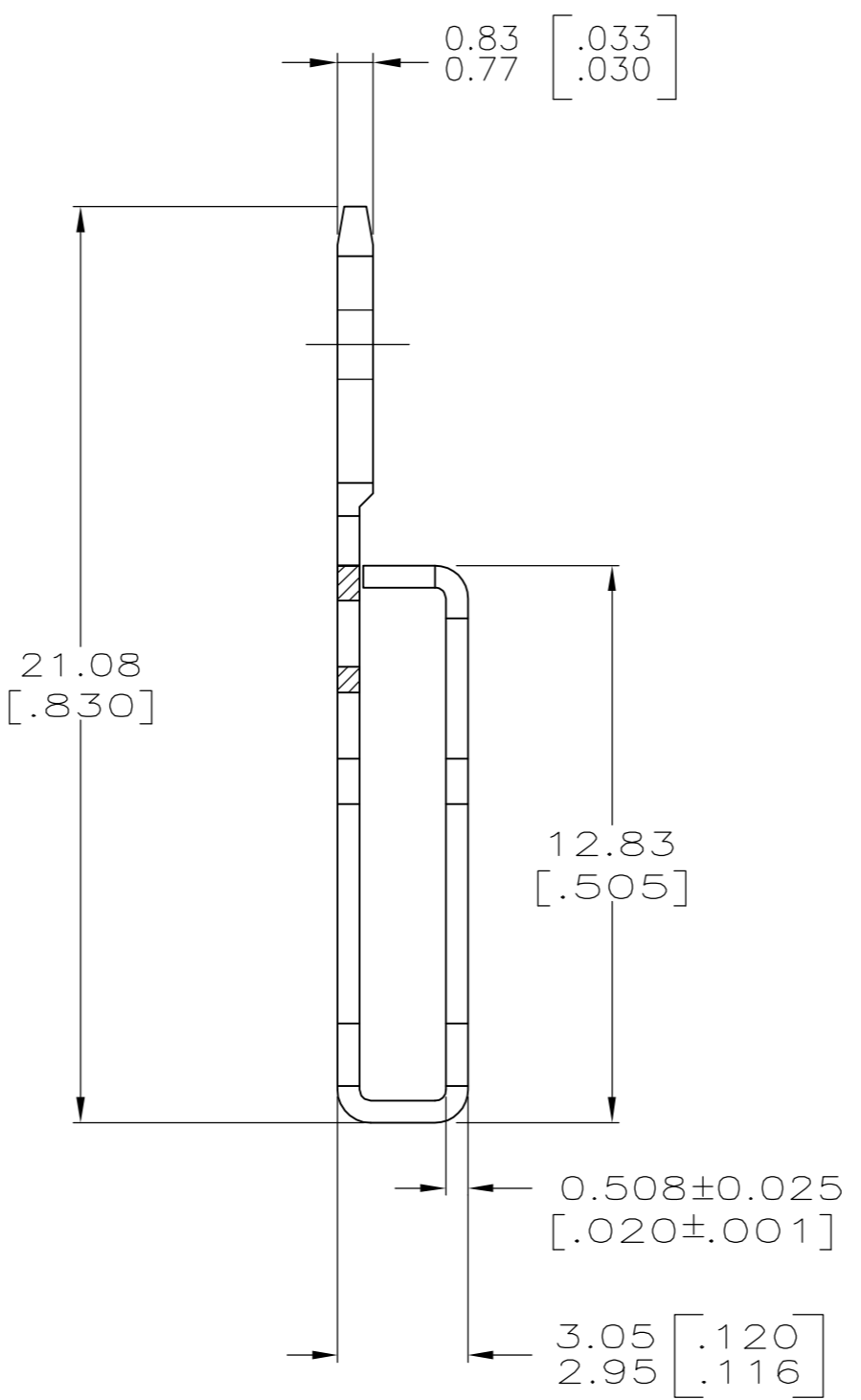
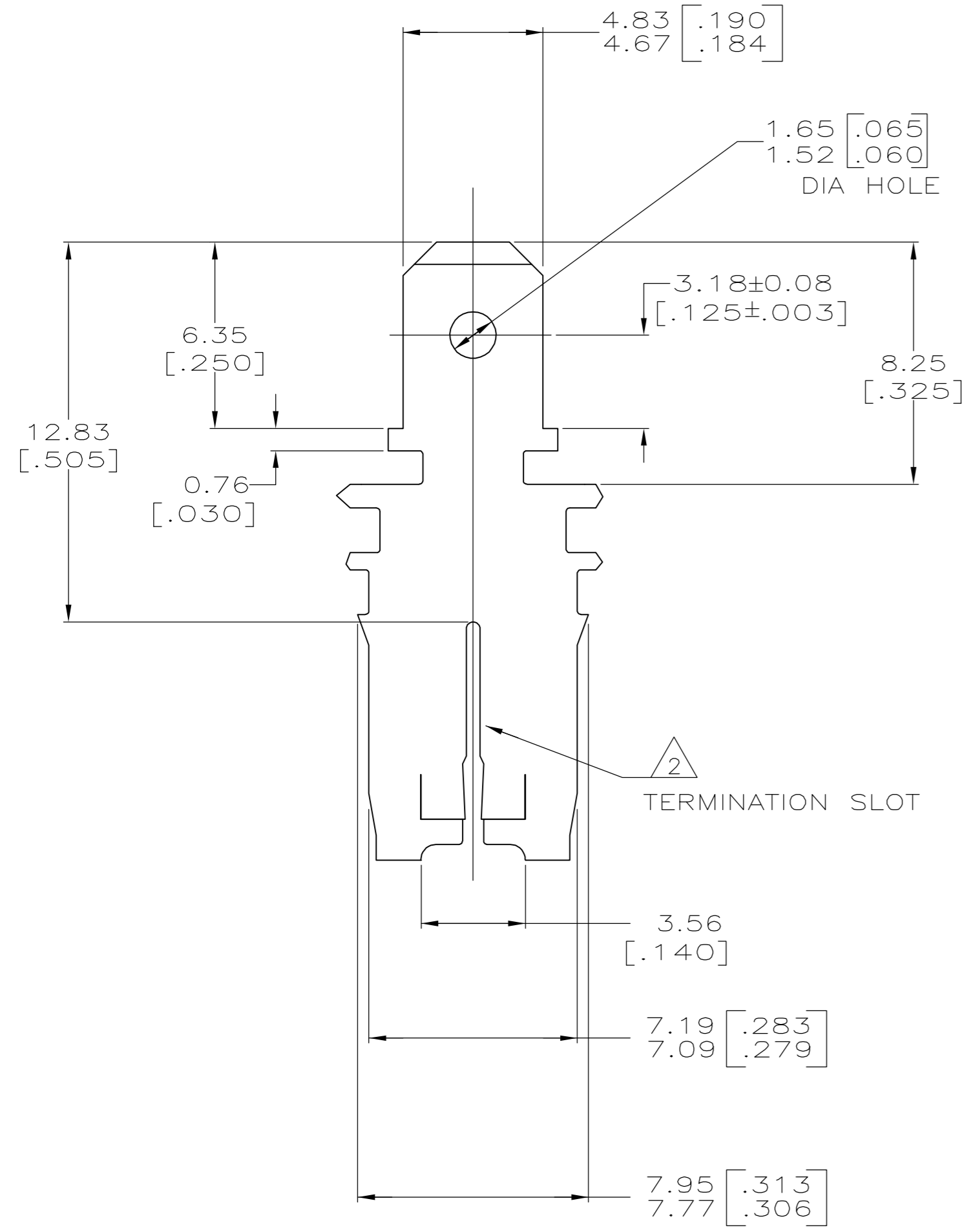
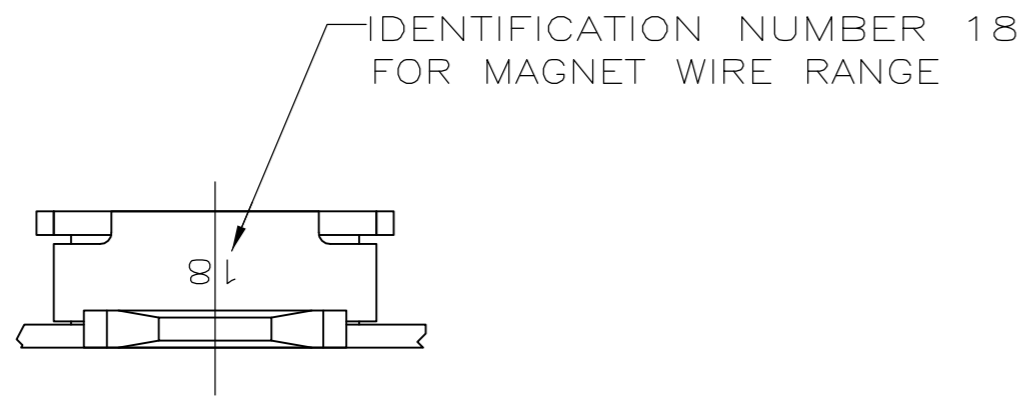


THIS DRAWING IS UNPUBLISHED. RELEASED FOR PUBLICATION  
 © COPYRIGHT BY TYCO ELECTRONICS CORPORATION. ALL RIGHTS RESERVED.

LOC		DIST		REVISIONS			
P	LTR	DESCRIPTION		DATE	DWN	APVD	
	C	REVISED PER ECR-06-010427		31AUG06	HMR	KR	



- 1 CONTINUOUS STRIP ON REELS WITH TERMINALS LOCATED ON 8.38±0.08 [.330±.003] CENTERS.
- 2 SLOT TERMINATES EITHER A SINGLE OR DOUBLE MAGNET WIRE OF THE SAME SIZE AND TYPE. COPPER RANGE: 0.64-0.81mm [#22-#20] AWG.
- 3 AFTER INSERTION INTO PLASTIC HOLDER, TAB PORTION MUST BE BENT OVER 45° TO 90° OR POTTED-IN TO PREVENT PULL-OUT WHEN MATING RECEPTACLE IS DISCONNECTED.
- 4 VARNISH RESIST OVER 0.002032 [.000080] MIN TIN PLATE
- 5 PRELIMINARY - NOT FOR PRODUCTION

4	5
0.002032 [.000080] MIN TIN PL	1217339-1
FINISH	PART NUMBER

THIS DRAWING IS A CONTROLLED DOCUMENT.		DWN 23FEB2000 MICHAEL S. FEHER	<b>tyco</b> Tyco Electronics Corporation Harrisburg, PA 17105-3608	
DIMENSIONS: mm [INCHES]		CHK 23FEB2000 KURT A. RANDOLPH	NAME	
TOLERANCES UNLESS OTHERWISE SPECIFIED:		APVD 23FEB2000 KURT A. RANDOLPH	108-2053	
0 PLC ± -		PRODUCT SPEC	114-2066	
1 PLC ± -		APPLICATION SPEC	SIZE	CAGE CODE
2 PLC ± 0.25[.010]		WEIGHT	A2	00779
3 PLC ± -		FINISH	C=1217339	
4 PLC ± -		CUSTOMER DRAWING	SCALE	SHEET
ANGLES ± -			6:1	1 of 1
FINISH SEE TABLE			REV	C

单击下面可查看定价，库存，交付和生命周期等信息

[>>TE Connectivity\(泰科\)](#)