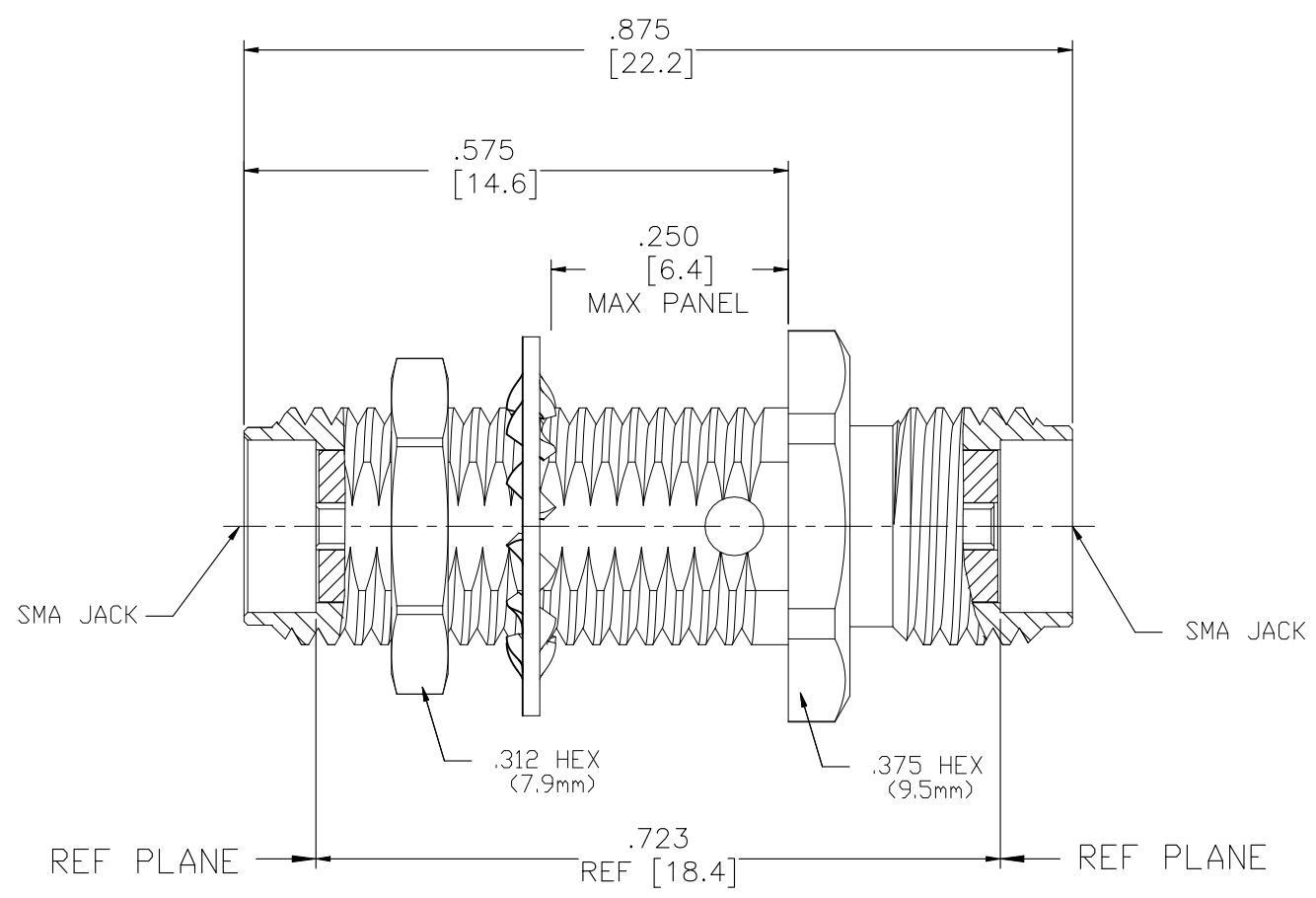
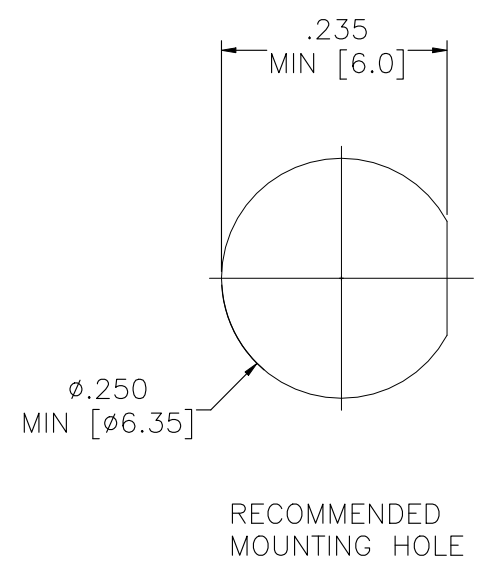


© - TE Connectivity. All Rights Reserved.

REVISIONS				
P	LTR	DESCRIPTION	DATE	APVD
	B2	REVISED PER ECR-21-103794	03JUN2021	RS WK



NOTE:  
 ▲ PACKAGING: BULK  
 ▲ PACKAGING: KIT



ELECTRICAL	MECHANICAL	ENVIRONMENTAL
Nominal Impedance ( $\Omega$ hms) <u>50</u>	Interface Dimensions MIL-STD-348A, Fig. 310.2 BOTH ENDS	TEMPERATURE RATING <u>-65°C TO +125°C</u>
Frequency Range (GHz) DC to <u>18</u>	Recommended Mating Torque <u>N/A</u>	Vibration MIL-STD-202, Method 204, Condition D.
Volt Rating (VRMS MAX) @ Sea Level <u>335</u>	Mating Characteristics:	Shock MIL-STD-202, Method 213, Condition I.
VSWR <u>1.05 +.005*f(GHz)</u>	Insertion (MAX Lbs) <u>3.0</u>	Thermal Shock MIL-STD-202, Method 107, Condition C, except HIGH TEMP SHALL BE +115°C.
Insertion Loss (dB MAX) <u>.03 <math>\sqrt{f}</math>(GHz)</u>	Withdrawal (MIN $\Omega$ z) <u>1.0</u>	Moisture Resistance MIL-STD-202, Method 106
RF Leakage (dB MIN) <u>60 @ 2 to 3 GHz</u>	Force to Engage and Disengage (In-Lbs MAX) <u>2.0</u>	Corrosion - MIL-STD-202, Method 101, Condition B, 5% salt spray
Corona, 70,000 Ft (VRMS MIN) <u>250</u>	Center Contact Captivation Axial (Lbs) <u>6.0</u>	
Dielectric Withstanding Voltage (VRMS MIN) @ Sea Level <u>1,500</u>	Radial (In- $\Omega$ z) <u>4.0</u>	
Contact Resistance (Milliohms MAX) Center Contact <u>4.0</u>	Cable Retention Axial Force (Lbs) <u>N/A</u>	
Outer Contact <u>2.0</u>	Torque (In- $\Omega$ z) <u>N/A</u>	
Cable to Housing <u>N/A</u>	Weight (Grams) <u>3.8</u>	
RF High Potential @ Sea Level (VRMS MIN @ 5 MHz) <u>670</u>		
I.R.(Megohms MIN) <u>5,000</u>		

.XXX = in  
 XX.X = mm

THIS DRAWING IS A CONTROLLED DOCUMENT.

DIMENSIONS: INCHES	TOLERANCES UNLESS OTHERWISE SPECIFIED:
	0 PLC $\pm$ -
	1 PLC $\pm$ -
	2 PLC $\pm$ -
	3 PLC $\pm$ .005
	4 PLC $\pm$ -
	ANGLES $\pm$ 1°
MATERIAL -	FINISH -

QUANTITY PER ASSY	PLATING	MATERIAL	DESCRIPTION	ITEM	
1	1	PASSIVATE	STAINLESS STEEL	LOCKWASHER	5
1	1	PASSIVATE	STAINLESS STEEL	MOUNTING NUT	4
1	1	PASSIVATE	STAINLESS STEEL	HOUSING	3
1	1	-	PTFE	INSULATION	2
1	1	Au	BeCu	CENTER CONTACT	1
-3	-1	PLATING	MATERIAL	DESCRIPTION	ITEM

QUANTITY PER ASSY		PARTS LIST		
DWN	E. F. HOYLE	1/25/89	TE Connectivity SMA BULKHEAD FEEDTHROUGH JACK TO JACK ADAPTER	
CHK	L.ROSS	2/10/89		
APVD		2/22/89		
PRODUCT SPEC	-	-		
APPLICATION SPEC	-	-	NAME	
WEIGHT	-	-	SIZE	CAGE CODE
CUSTOMER DRAWING		A300779		DRAWING NO
		G-1054869		RESTRICTED TO
		SCALE 5:1		SHEET 1 OF 1
				REV B2

单击下面可查看定价，库存，交付和生命周期等信息

[>>TE Connectivity\(泰科\)](#)