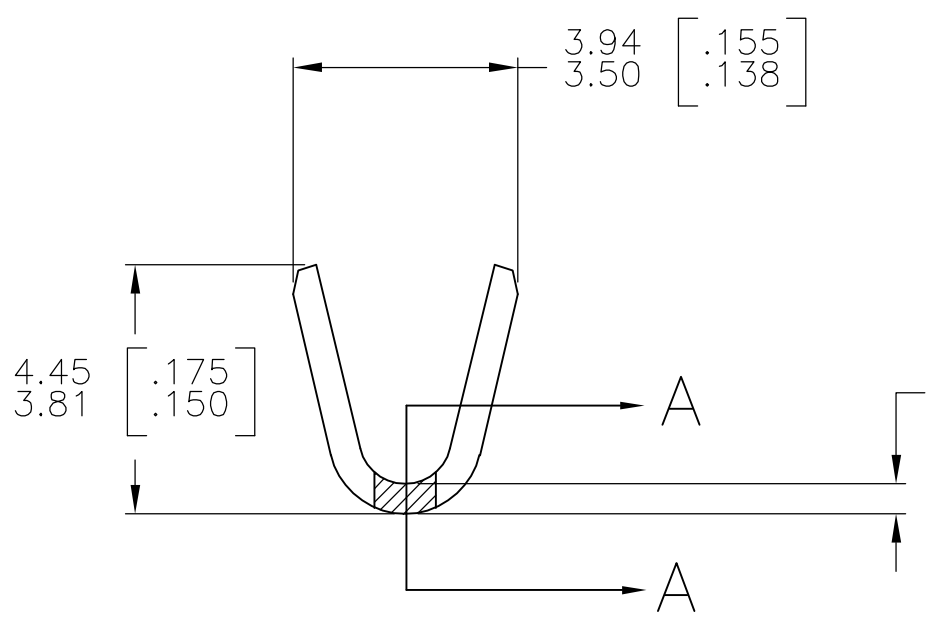
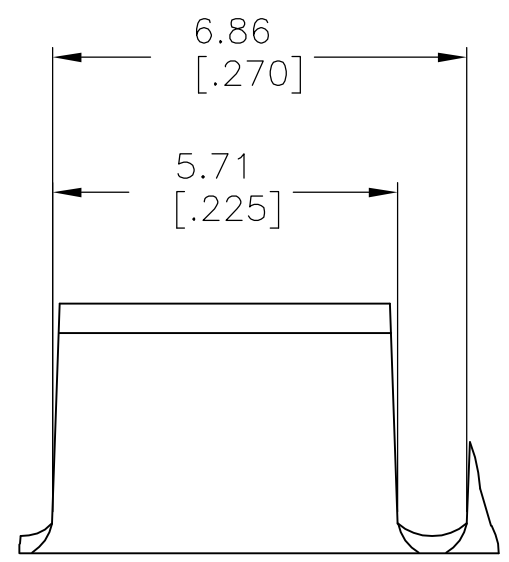
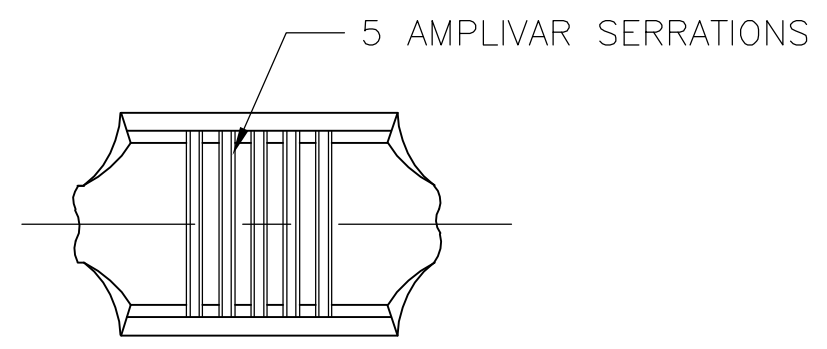
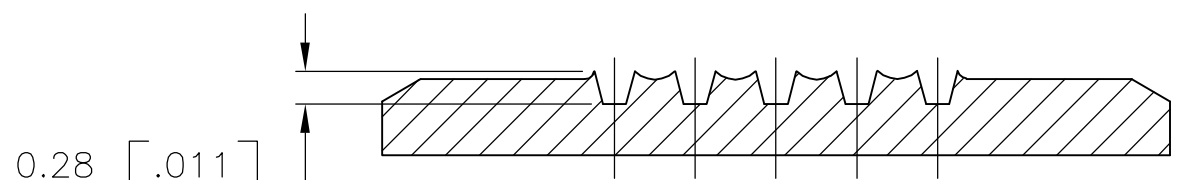


THIS DRAWING IS UNPUBLISHED. RELEASED FOR PUBLICATION
 © COPYRIGHT BY TYCO ELECTRONICS CORPORATION. ALL RIGHTS RESERVED.

LOC	DIST	REVISIONS			
P	LTR	DESCRIPTION	DATE	DWN	APVD
AF	50	S1	ECR-06-023927(REDRAWN IN AUTOCAD)	06OCT06	HMR GP



- CONTINUOUS STRIP ON REELS.
- DIMENSIONS IN BRACKETS ARE IN INCHES.
- FOR ADDITIONAL INFORMATION, SEE APPLICATION SPEC. 114-2009.
- CRIMP WIDTH: .110 F TYPE (AMPLIVAR THRU)
 CRIMP HEIGHT (±.002)=(TOTAL CMA+10,700)/193,400
 GENERAL APPLICATION GUIDELINES MUST BE FOLLOWED AS SPECIFIED IN CATALOG #82221
 FOR APPLICATOR INFORMATION CALL:1-800-722-1111
 FOR PRODUCT INFORMATION CALL:1-800-522-6752



SECTION A-A
SCALE 20:1

OBSOLETE	1500-5000 CMA	NICKEL FLASH	41765-1
	1500-5000 CMA	-	41765
	WIRE RANGE	FINISH	PART NO

THIS DRAWING IS A CONTROLLED DOCUMENT.		DWN RAGHAVENDRA	06OCT06	Tyco Electronics Corporation Harrisburg, PA 17105-3608	
DIMENSIONS: mm [INCHES]		CHK G.D.PORTA		NAME	
TOLERANCES UNLESS OTHERWISE SPECIFIED:		APVD G.D.PORTA		PRODUCT SPEC	
0 PLC ± -		PRODUCT SPEC		APPLICATION SPEC	
1 PLC ± -		APPLICATION SPEC		RESTRICTED TO	
2 PLC ± -		RESTRICTED TO		SIZE CAGE CODE DRAWING NO	
3 PLC ± 0.38 [.015]		RESTRICTED TO		A3 00779 C-41765	
4 PLC ± -		RESTRICTED TO		SCALE 8:1 SHEET 1 OF 1 REV S1	
ANGLES ± 1° 0'		RESTRICTED TO		CUSTOMER DRAWING	
MATERIAL BRASS	FINISH SEE TABLE	WEIGHT -		SCALE 8:1 SHEET 1 OF 1 REV S1	

单击下面可查看定价，库存，交付和生命周期等信息

[>>TE Connectivity\(泰科\)](#)