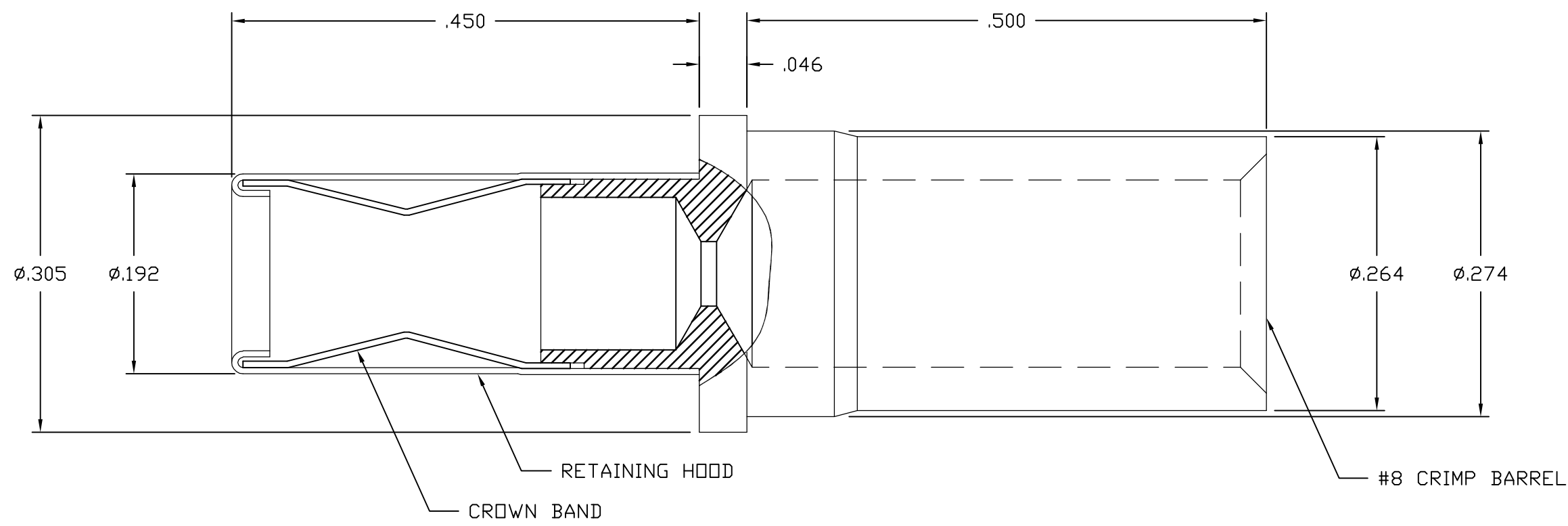


THIS DRAWING IS UNPUBLISHED. RELEASED FOR PUBLICATION
 © COPYRIGHT - BY TYCO ELECTRONICS CORPORATION. ALL RIGHTS RESERVED.

LOC	DIST	REVISIONS					
GP	00	P	LTR	DESCRIPTION	DATE	DWN	APVD
			A	RELEASED	18APR06	RG	SF



- 5. REFERENCE ELCON SERIES 702-31-11107.
- 4. FINISH:
 SOCKET BODY: SILVER PLATED .0002 MIN THK. OVER NICKEL .00004 MIN THK..
 CROWN CONTACT: GOLD PLATED .000030 MIN THK. OVER NICKEL .00004 MIN THK..
 RETAINING HOOD: PASSIVATED.

- 3. MATERIALS:
 SOCKET BODY: COPPER ALLOY
 CROWN CONTACT: BERYLLIUM COPPER.
 RETAINING HOOD: STAINLESS STEEL.

- 2. ITEMS PROVIDED TO THIS SPECIFICATION SHALL BE PERMANENTLY IDENTIFIED/PACKAGED PER THE FOLLOWING:
 CONNECTOR PART NUMBER AND DATE CODE OF MFR.
- 1. PART NUMBER CHANGES AND/OR DESIGN CHANGES AFFECTING ITEM INTERCHANGEABILITY REQUIRE PRIOR ELCON APPROVAL AND AUTHORIZATION BY REVISION TO THIS DRAWING.

AS SHOWN	6648317-1
DESCRIPTION	PART NUMBER

THIS DRAWING IS A CONTROLLED DOCUMENT.		DWN	R.GRZYBOWSKI	18APR2006	Tyco Electronics Corporation Harrisburg, PA 17105-3608					
DIMENSIONS: INCHES		CHK	S.FLICKINGER	18APR06				NAME		
TOLERANCES UNLESS OTHERWISE SPECIFIED:		APVD	S.FLICKINGER	18APR06				SOCKET CONTACT, SIZE #8 CRIMP REMOVABLE STYLE		
0 PLC ± - 1 PLC ± .02 2 PLC ± .010 3 PLC ± - 4 PLC ± - ANGLES ± .5		PRODUCT SPEC		-						
MATERIAL		APPLICATION SPEC		-			RESTRICTED TO			
-		FINISH		-			SCALE			
-		-		-			1:1			
CUSTOMER DRAWING				SIZE	A3	CAGE CODE	00779			
				DRAWING NO	G=6648317		SHEET			
						1 OF 1	REV			
						A				

ELCON CIRCULAR CONTACT

单击下面可查看定价，库存，交付和生命周期等信息

[>>TE Connectivity\(泰科\)](#)