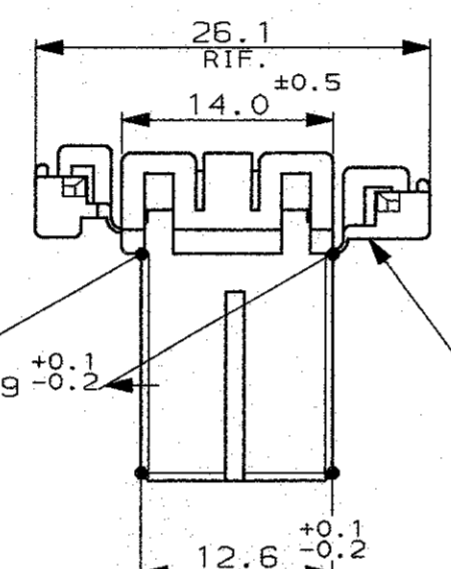
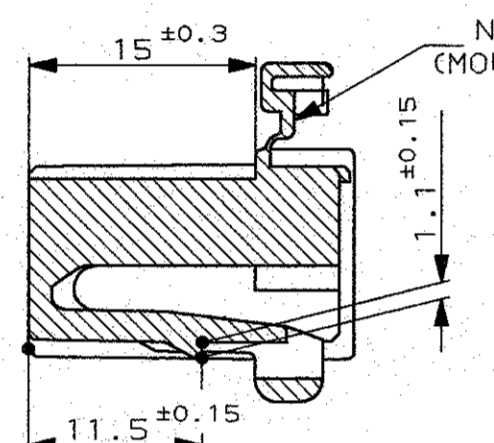
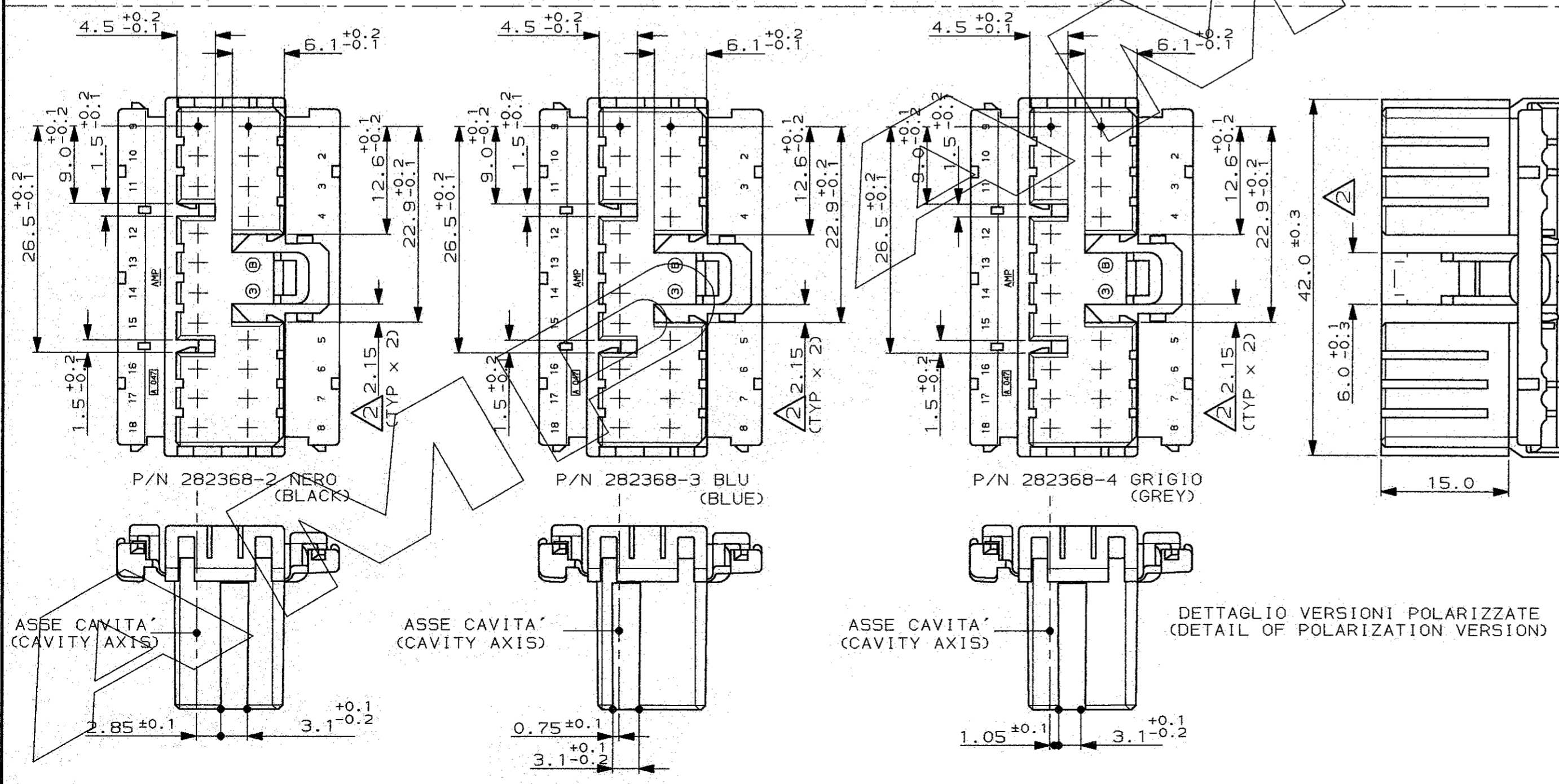


- 1 QUOTA VALIDA SOLO PER VERSIONE 282368-1
(VALID DIMENSION ONLY FOR 282368-1 VERSION)
- 2 QUOTA VALIDA PER VERSIONI POLARIZZATE P/N 282368-2, -3, -4
(VALID DIMENSION ONLY FOR P/N 282368-2, -3, -4 VERSION)
- 3) PER RAPPRESENTAZIONE DIMA CONTROPARTE VEDERE FOGLIO 2 DI 2.
(FOR COUNTERPART DETAIL SEE SHEET 2 OF 2)



THIS INFORMATION IS CONFIDENTIAL AND IS DISCLOSED TO YOU ON CONDITION THAT NO FURTHER DISCLOSURE IS MADE BY YOU TO OTHER THAN AMP PERSONNEL WITHOUT WRITTEN AUTHORIZATION FROM AMP ITALIA S.P.A.



NON DISPONIBILE (NOT AVAILABLE)	282372-4	GRIGIO (GREY)	PBT UNFILLED) (PBT UNFILLED)	282368-4
NON DISPONIBILE (NOT AVAILABLE)	282372-3	BLU (BLUE)		282368-3
NON DISPONIBILE (NOT AVAILABLE)	282372-2	NERO (BLACK)		282368-2
282631-1 VERS. ORIZZONTALE (HORIZONTAL VERS.)	282372-1	BIANCO (NATURAL)		282368-1
CONTROP. P.C.B. (P.C.B. HEADER ASSY)	PORTAMASCHI VOLANTE (CAP HOUSING)	COLORE (COLOUR)	MATERIALE (MATERIAL)	NUMERO (PART NUMBER)
CUSTOMER DWG. FOR REFERENCE ONLY		DISEGNO PER CLIENTE SOLO PER RIFERIMENTO		
THIS DRAWING IS UNPUBLISHED		RELEASE FOR PUBLICATION		
© COPYRIGHT 1997 BY AMP INCORPORATED, HARRISBURG, PA. ALL INTERNATIONAL RIGHTS RESERVED. AMP PRODUCTS MAY BE COVERED BY U.S. AND FOREIGN PATENT AND/OR PATENT PENDING		19		
TOLLERANZE, SE NON DIVERSAMENTE SPECIFICATO (TOLERANCES, UNLESS OTHERWISE SPECIFIED)		DIAM. ISOLANTE (INS. DIA. RANGE)		SCALA (SCALE)
± 0.3		RANGO FILO (WIRE RANGE)		2:1
ANGOLI (ANGLES)		± 2°		
B1	REVISED PER ECR-13-004824	M.G. 2015	DIS. M. PALMA	
B	RELEASED AND REVISED FOR ET00-0249-97	M.P. 97	18 JUN '97	
2	AGG. CODICE FIAT	R.M. 93	C. TARTARI	
1	AGGIORNATO	R.M. 93	18 JUN '97	
REV.	REVISIONI (REVISION RECORD)	DIS. DATA (DR)	LOC. SIZE NUMERO (DWG NO)	REV. FOGLIO (SHEET)
			I A2 C-282368	B1 11

单击下面可查看定价，库存，交付和生命周期等信息

[>>TE Connectivity\(泰科\)](#)