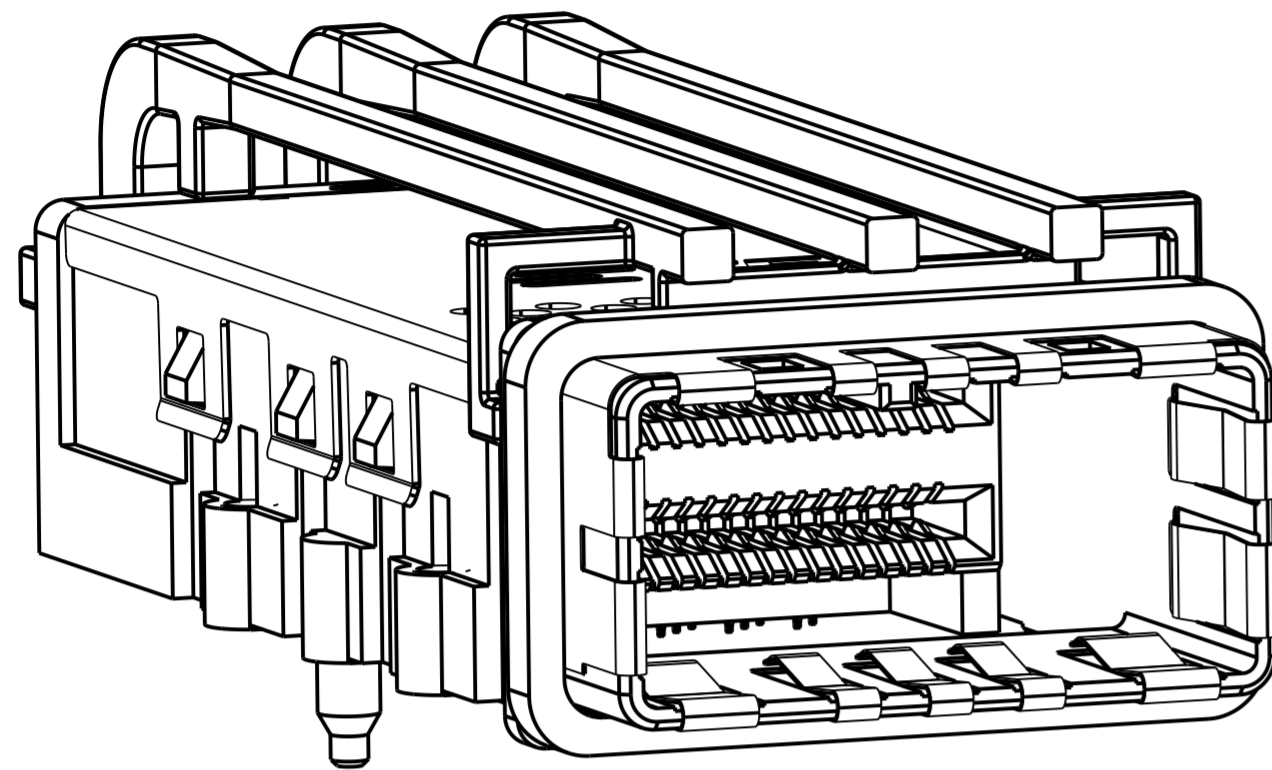
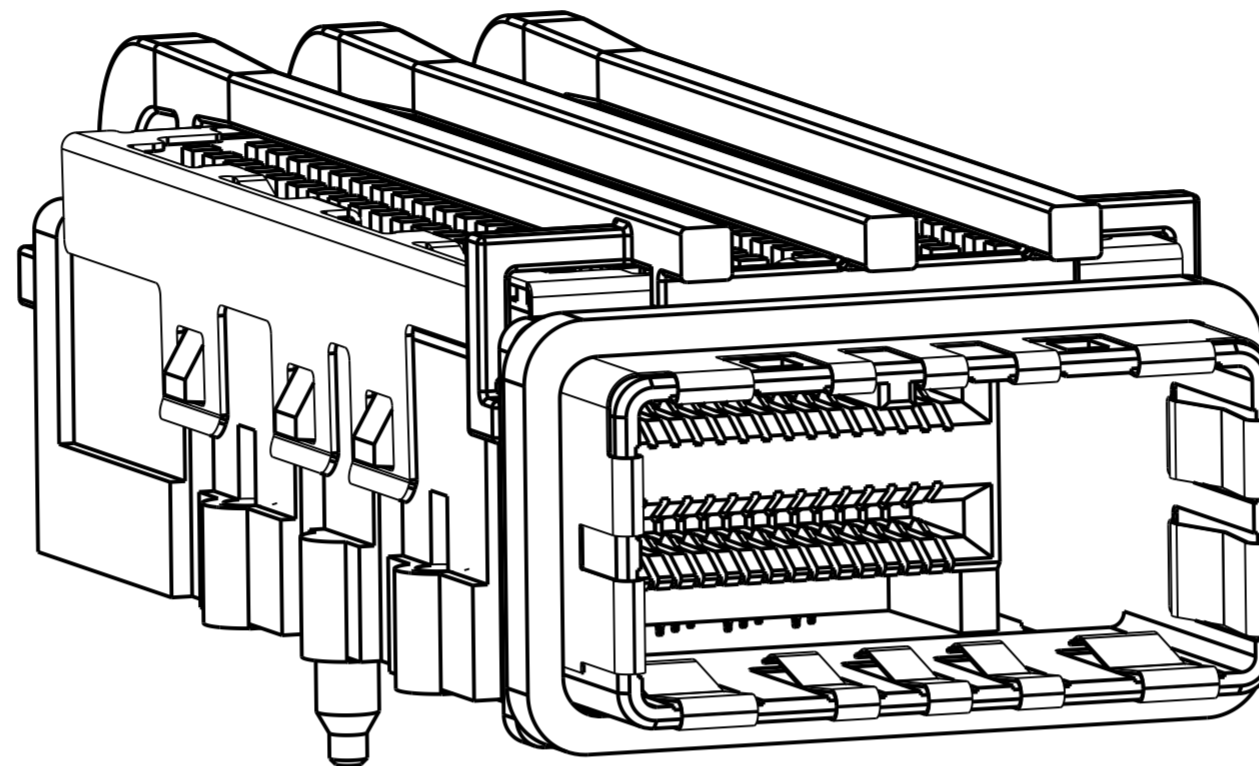


THIS DRAWING IS UNPUBLISHED. RELEASED FOR PUBLICATION 20
 © COPYRIGHT 20 BY - ALL RIGHTS RESERVED.

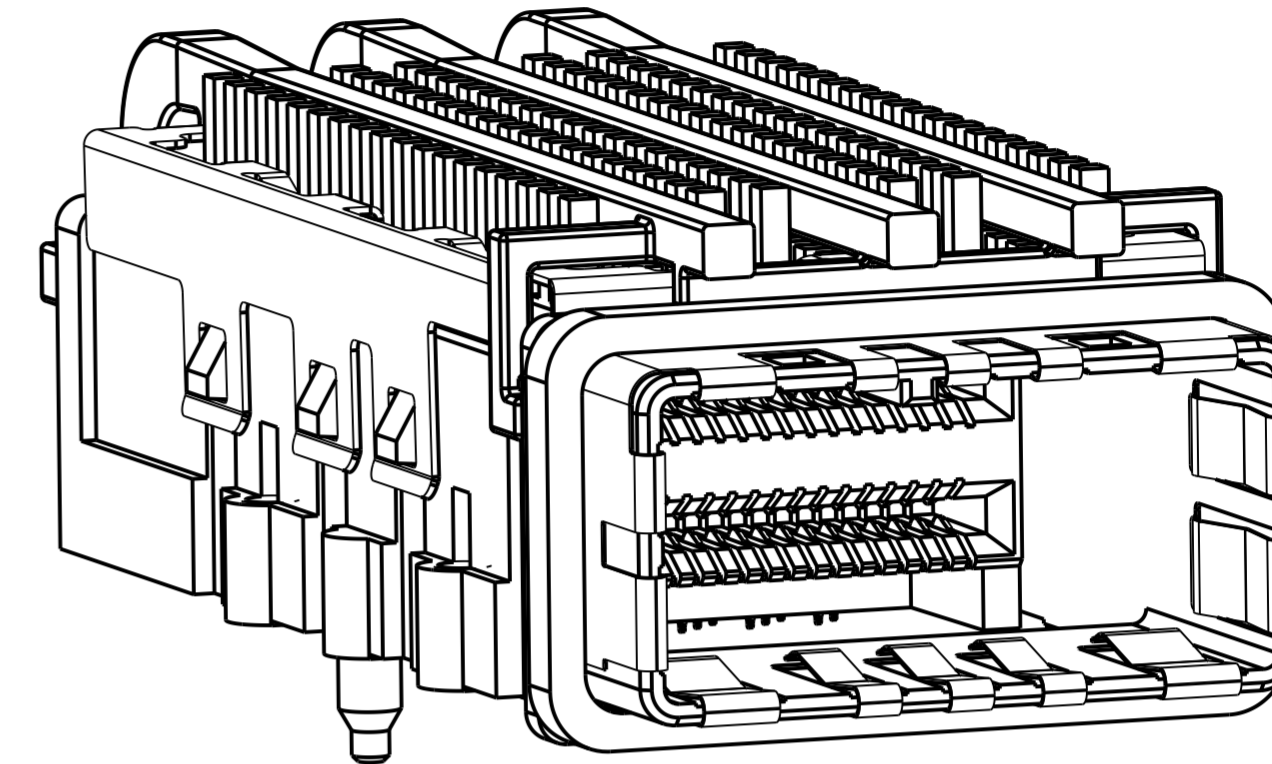
| REVISIONS | | | | |
|-----------|-----|------------------------|-----------|--------|
| P | LTR | DESCRIPTION | DATE | APVD |
| A | | RELEASED ECO-14-003843 | 31MAR2014 | LAW SB |



2149159-1
SCALE 4:1



2149159-3
SCALE 4:1



2149159-5
SCALE 4:1

| | | | | | |
|----------|------|---------------------------------|--------|--|-------------|
| OBSOLETE | 23.5 | 2149448-2 | 3 | 84 POSITION RECEPTACLE ASSEMBLY WITH LIGHTPIPE AND HEAT SINK | 2149159-8 |
| | 23.5 | 2149448-1 | 2 | 84 POSITION RECEPTACLE ASSEMBLY WITH LIGHTPIPE AND HEAT SINK | 2149159-7 |
| OBSOLETE | 16.5 | 2149448-2 | 3 | 84 POSITION RECEPTACLE ASSEMBLY WITH LIGHTPIPE AND HEAT SINK | 2149159-6 |
| | 16.5 | 2149448-1 | 2 | 84 POSITION RECEPTACLE ASSEMBLY WITH LIGHTPIPE AND HEAT SINK | 2149159-5 |
| OBSOLETE | 14.2 | 2149448-2 | 3 | 84 POSITION RECEPTACLE ASSEMBLY WITH LIGHTPIPE AND HEAT SINK | 2149159-4 |
| | 14.2 | 2149448-1 | 2 | 84 POSITION RECEPTACLE ASSEMBLY WITH LIGHTPIPE AND HEAT SINK | 2149159-3 |
| OBSOLETE | - | 2149448-2 | 3 | 884 POSITION RECEPTACLE ASSEMBLY WITH LIGHTPIPE | 2149159-2 |
| | - | 2149448-1 | 2 | 84 POSITION RECEPTACLE ASSEMBLY WITH LIGHTPIPE | 2149159-1 |
| E | | RECEPTACLE HOUSING SUB-ASSEMBLY | FINISH | DESCRIPTION | PART NUMBER |

| | | | |
|--|--|--------------------------------------|--|
| THIS DRAWING IS A CONTROLLED DOCUMENT. DIMENSIONING AND TOLERANCING PER ASME Y14.5M-2009 | | DWN M.E. COWHER 09 JUN 2010 | TE Connectivity |
| DIMENSIONS: mm | | CHK M.D. MORRISON 10 JUN 2010 | |
| TOLERANCES UNLESS OTHERWISE SPECIFIED: | | APVD M.D. MORRISON 10 JUN 2010 | NAME RECEPTACLE ASSEMBLY WITH LIGHTPIPE AND HEAT SINK, 84 POSITION, CXP |
| 0 PLC ±0.15 1 PLC ±0.15 2 PLC ±0.15 3 PLC ± 4 PLC ± ANGLES ± FINISH ± | | PRODUCT SPEC 108-2426 | SIZE A2 |
| MATERIAL | | APPLICATION SPEC 114-13283 | CAGE CODE 00779 |
| | | WEIGHT - | DRAWING NO C-2149159 |
| | | Customer Drawing | RESTRICTED TO - |
| | | SCALE 1:1 | SHEET 1 OF 5 REV A |

4

3

2

1

THIS DRAWING IS UNPUBLISHED. RELEASED FOR PUBLICATION 20
 © COPYRIGHT 20 BY - ALL RIGHTS RESERVED.

| REVISIONS | | | | |
|-----------|-----|-------------|------|------|
| P | LTR | DESCRIPTION | DATE | APVD |
| - | | SEE SHEET 1 | - | - |
| | | | | |
| | | | | |

2149159-7
SCALE 4:1

1 MATERIALS:
 HOUSING - ZINC ALLOY
 EMI GASKET - CONDUCTIVE URETHANE FOAM
 RECEPTACLE HOUSING - LCP, BLACK, UL 94V-0 RATED
 CHICKLET - LCP, BLACK, UL 94V-0 RATED
 CONTACT - PHOSPHOR BRONZE
 EMI SPRING - COPPER ALLOY
 HEAT SINK - ALUMINUM
 CLIP, HEAT SINK - STAINLESS STEEL
 LIGHTPIPE - POLYCARBONATE, CLEAR

2 FINISH:
 CONTACT - CONFORMS TO THE REQUIREMENTS OF TE
 PRODUCT SPECIFICATION 108-2426, BASED ON EIA/ECA-364-1000.01A,
 (CONTROLLED ENVIRONMENT APPLICATIONS) ON MATING INTERFACE,
 MATTE TIN PLATE OVER NICKEL UNDERPLATE ON COMPLIANT PIN
 HOUSING & HEAT SINK - NICKEL PLATE

3 NOTE DELETED

4 PCB THICKNESS = 1.57 MIN

5 FOR HOLE SIZE AND FINISHES, SEE APPLICATION SPEC 114-13283

6 THE ENTIRE AREA OF THE CONNECTOR FOOTPRINT, INDICATED
 BY CROSSHATCHING, TO BE CONSIDERED THE KEEPOUT AREA FOR
 COMPONENTS AND SIGNAL TRACES, TOP SIDE ONLY, TOP SIDE
 TRACES ALLOWED WITHIN CONNECTOR HOLE PATTERN, CROSSHATCHING
 TO BE CONDUCTIVE

7. MOUNTING HARDWARE REQUIRED:
 M2x0.4 (4)
 MOUNTING SCREW LENGTH = BOARD THICKNESS PLUS 4mm MAX

8. COMPONENTS PACKAGED UNASSEMBLED

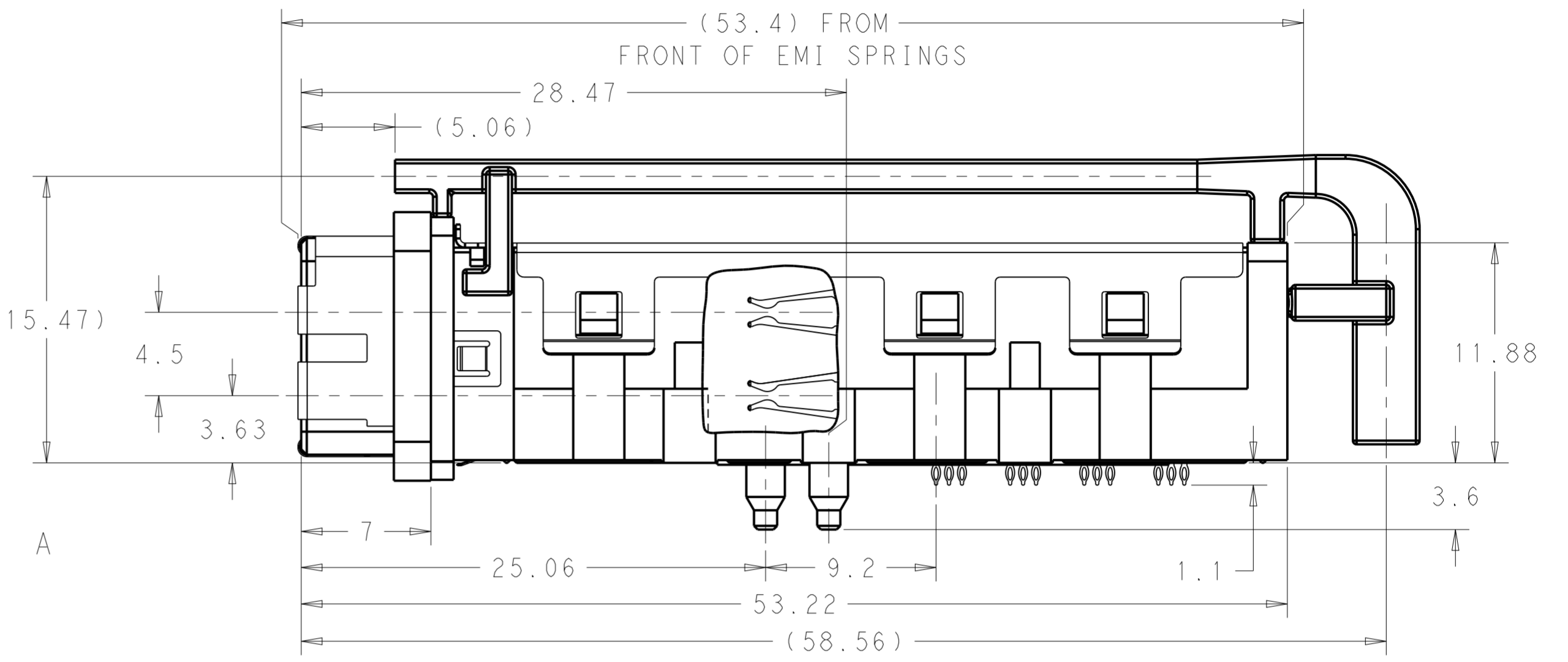
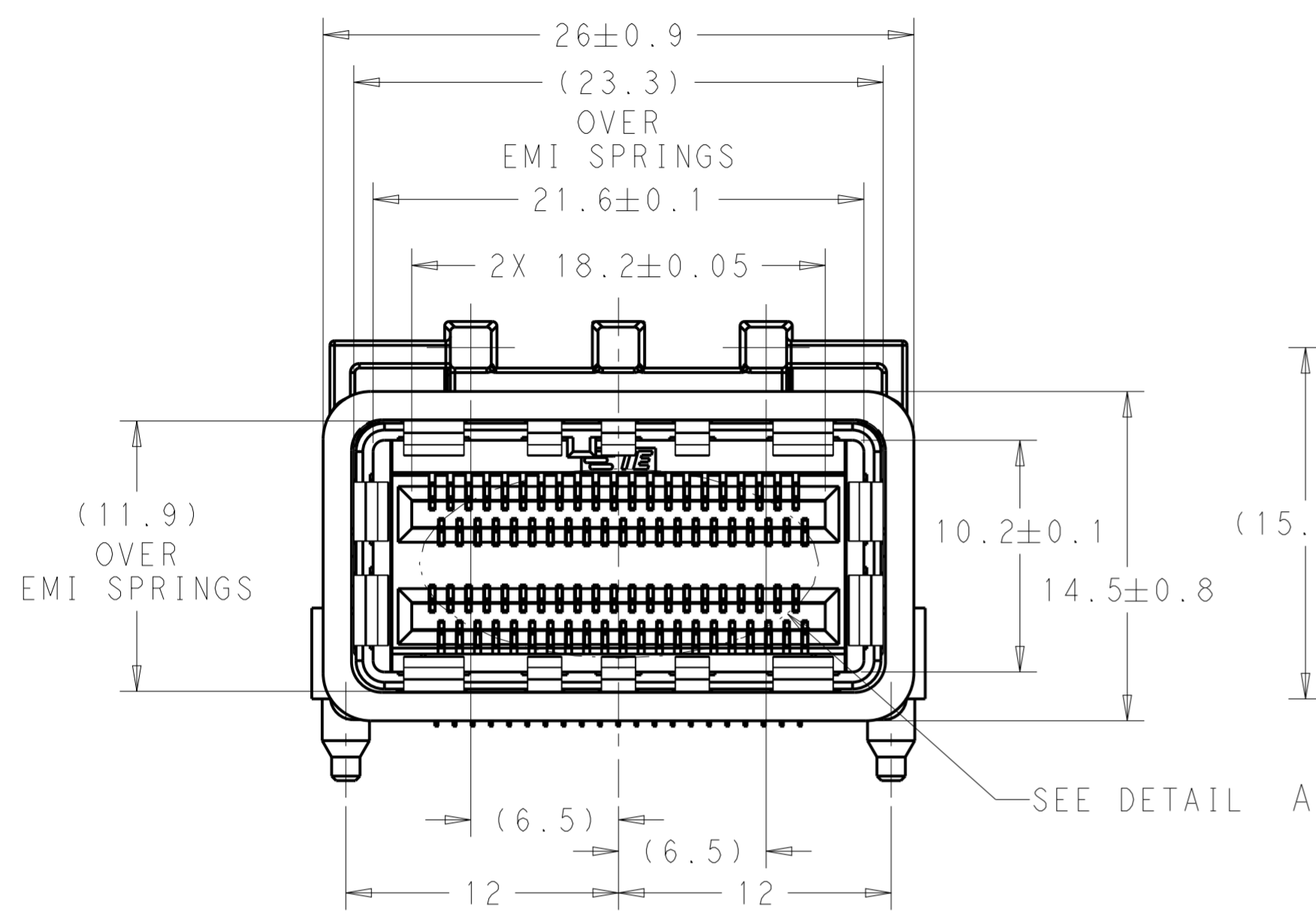
| | | | | |
|--|--|---------------------------------------|--------------------------|--------------------|
| THIS DRAWING IS A CONTROLLED DOCUMENT. DIMENSIONING AND TOLERANCING PER ASME Y14.5M-2009 | | DWN M. E. COWHER 09 JUN 2010 | TE Connectivity | |
| DIMENSIONS: mm | | CHK M. D. MORRISON 10 JUN 2010 | | |
| TOLERANCES UNLESS OTHERWISE SPECIFIED: | | APVD M. D. MORRISON 10 JUN 2010 | PRODUCT SPEC 108-2426 | RESTRICTED TO |
| 0 PLC ±0.15 1 PLC ±0.15 2 PLC ±0.15 3 PLC ± 4 PLC ± ANGLES ± FINISH ± | | APPLICATION SPEC 114-13283 | SIZE A2 | CAGE CODE 00779 |
| MATERIAL | | WEIGHT - | DRAWING NO C-2149159 | SCALE 1:1 |
| Customer Drawing | | SHEET 2 OF 5 | | REV A |

1471-9 (3/13)

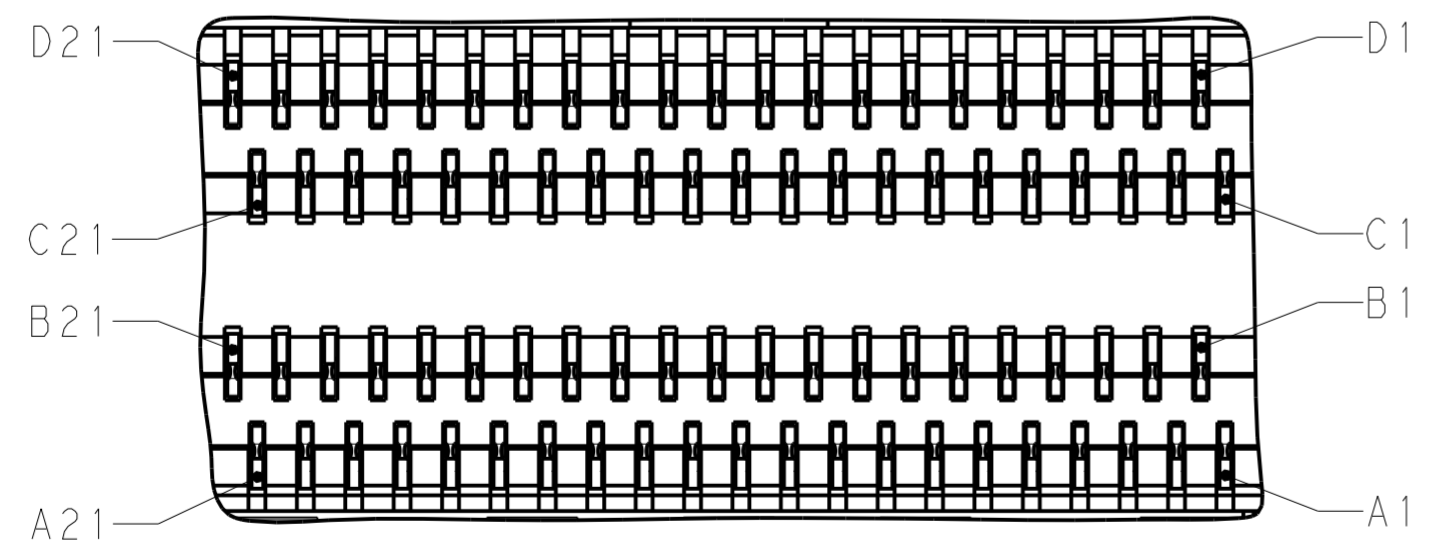
Downloaded From Onevac.com

THIS DRAWING IS UNPUBLISHED. RELEASED FOR PUBLICATION 20
 © COPYRIGHT 20 BY - ALL RIGHTS RESERVED.

| REVISIONS | | | | |
|-----------|-----|-------------|------|------|
| P | LTR | DESCRIPTION | DATE | APVD |
| - | | SEE SHEET 1 | - | - |
| | | | | |
| | | | | |



2149159-1
 SCALE 4:1

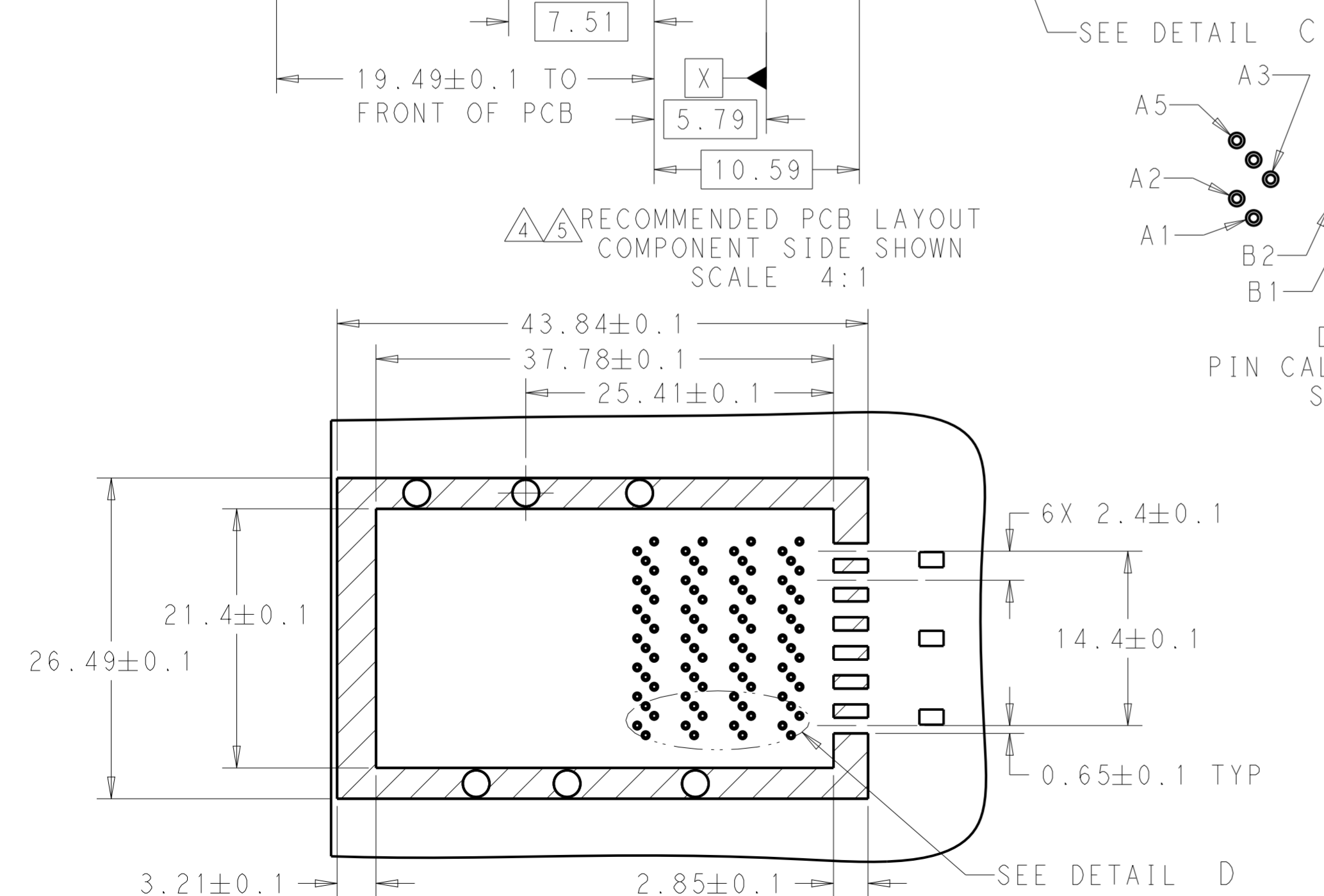
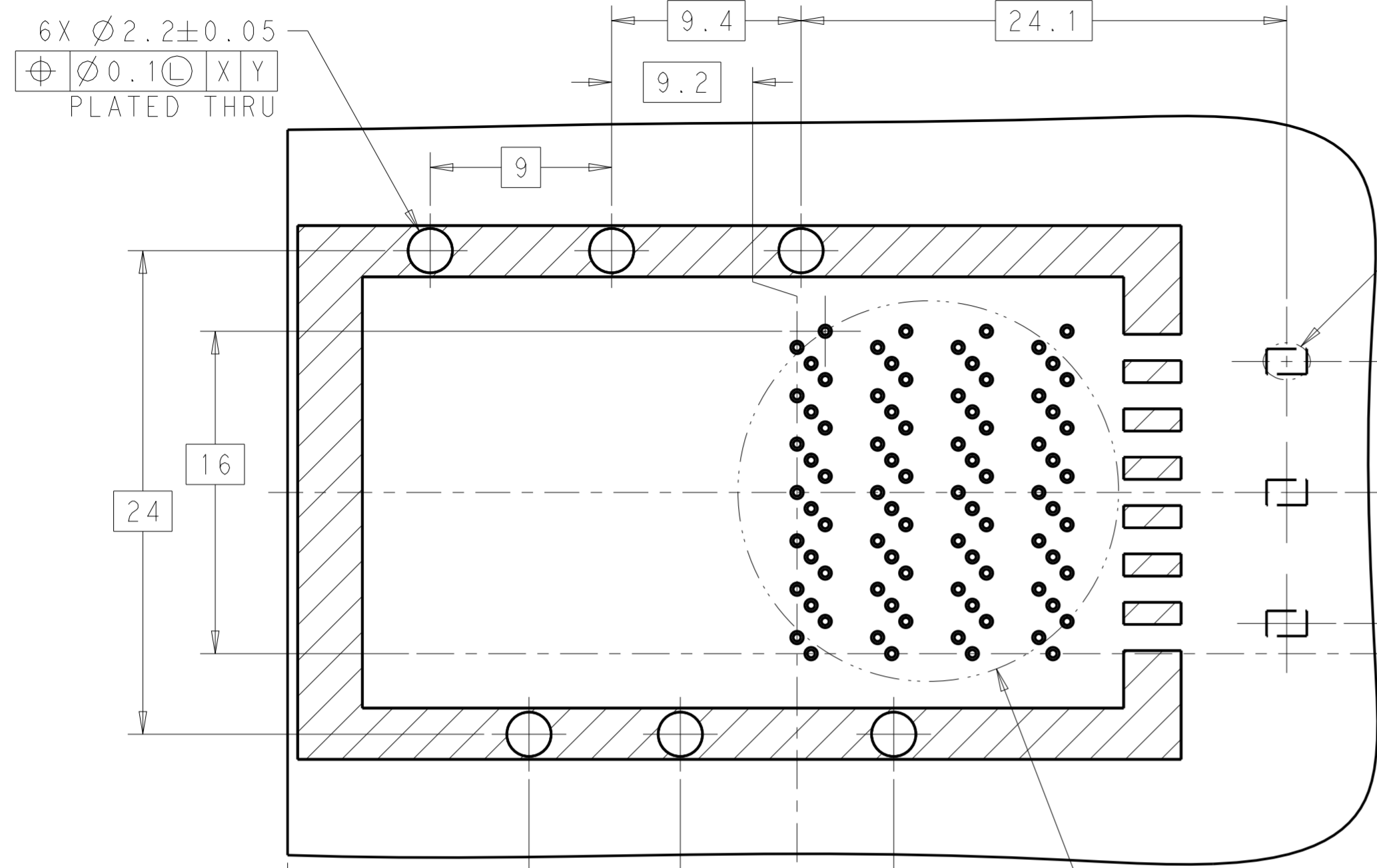


DETAIL A
 RECOMMENDED PIN CALLOUT
 SCALE 8:1

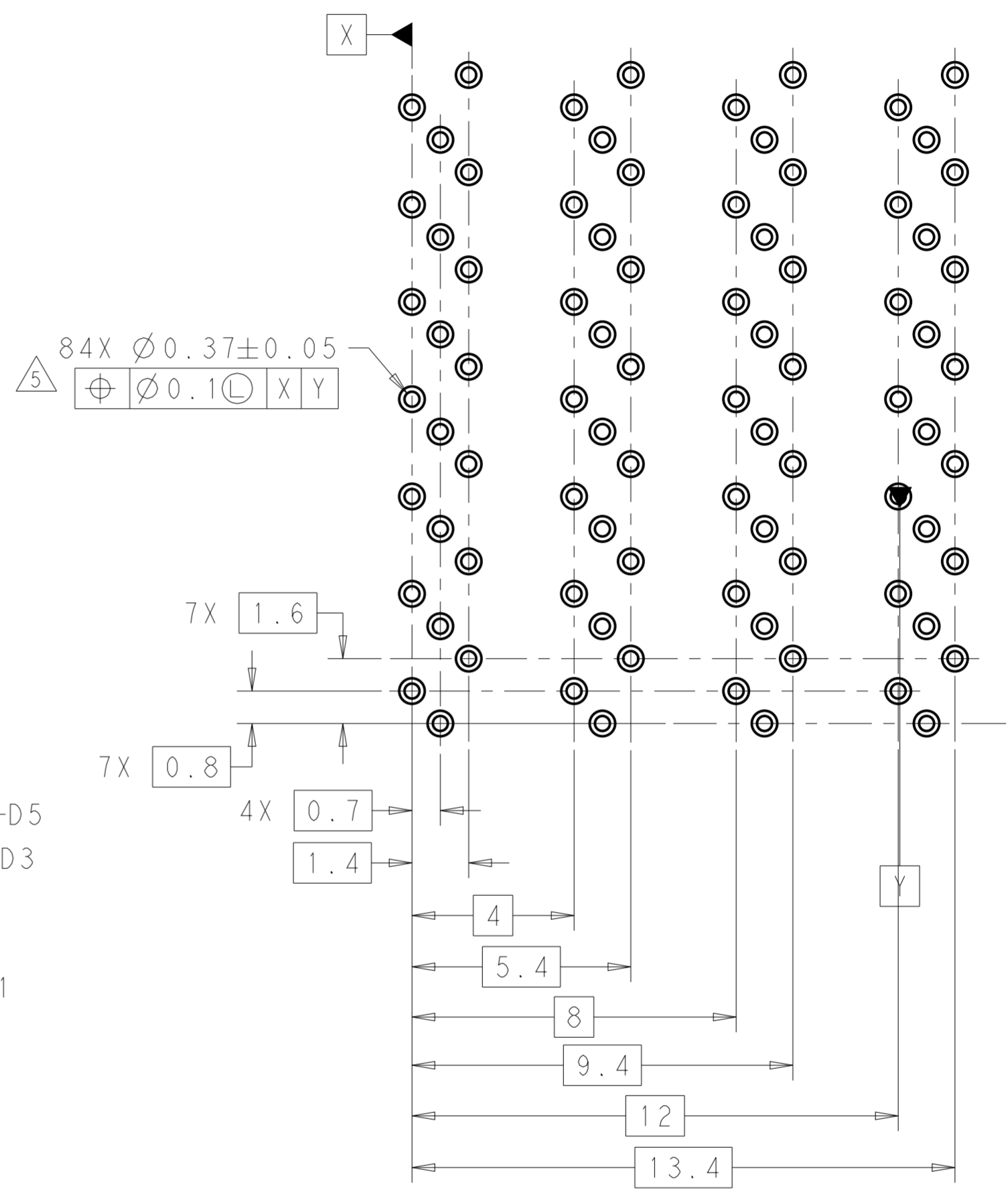
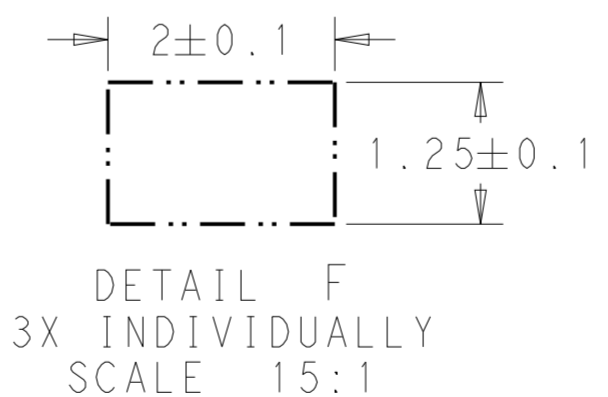
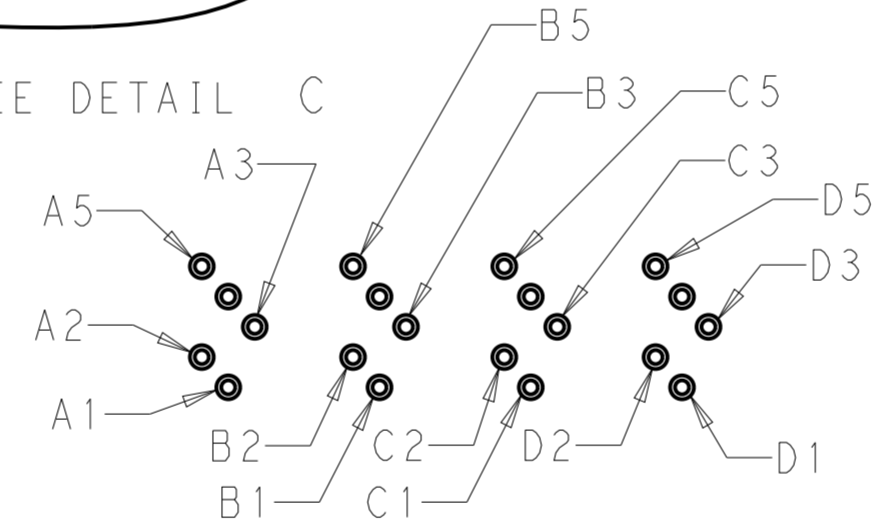
| | | | | | | |
|--|--|------------------------------------|---------------------|--|--------------|---------------|
| THIS DRAWING IS A CONTROLLED DOCUMENT. DIMENSIONING AND TOLERANCING PER ASME Y14.5M-2009 | | DWN 09 JUN 2010 M. E. COWHER | TE Connectivity | NAME | | |
| DIMENSIONS: mm | | CHK 10 JUN 2010 M. D. MORRISON | | RECEPTACLE ASSEMBLY WITH LIGHTPIPE AND HEAT SINK, 84 POSITION, CXP | | |
| TOLERANCES UNLESS OTHERWISE SPECIFIED: | | APVD 10 JUN 2010 M. D. MORRISON | | SIZE | CAGE CODE | DRAWING NO |
| 0 PLC ±0.15 1 PLC ±0.15 2 PLC ±0.15 3 PLC ± 4 PLC ± ANGLES ± FINISH ± | | PRODUCT SPEC 108-2426 | | A200779 | C-2149159 | RESTRICTED TO |
| MATERIAL | | APPLICATION SPEC 114-13283 | WEIGHT | SCALE 1:1 | SHEET 3 OF 5 | |
| | | Customer Drawing | | | REV A | |

THIS DRAWING IS UNPUBLISHED. RELEASED FOR PUBLICATION 20
 © COPYRIGHT 20 BY - ALL RIGHTS RESERVED.

| REVISIONS | | | | |
|-----------|-----|-------------|------|------|
| P | LTR | DESCRIPTION | DATE | APVD |
| - | - | SEE SHEET 1 | - | - |



RECOMMENDED PCB LAYOUT
 COMPONENT SIDE SHOWN
 SCALE 4:1

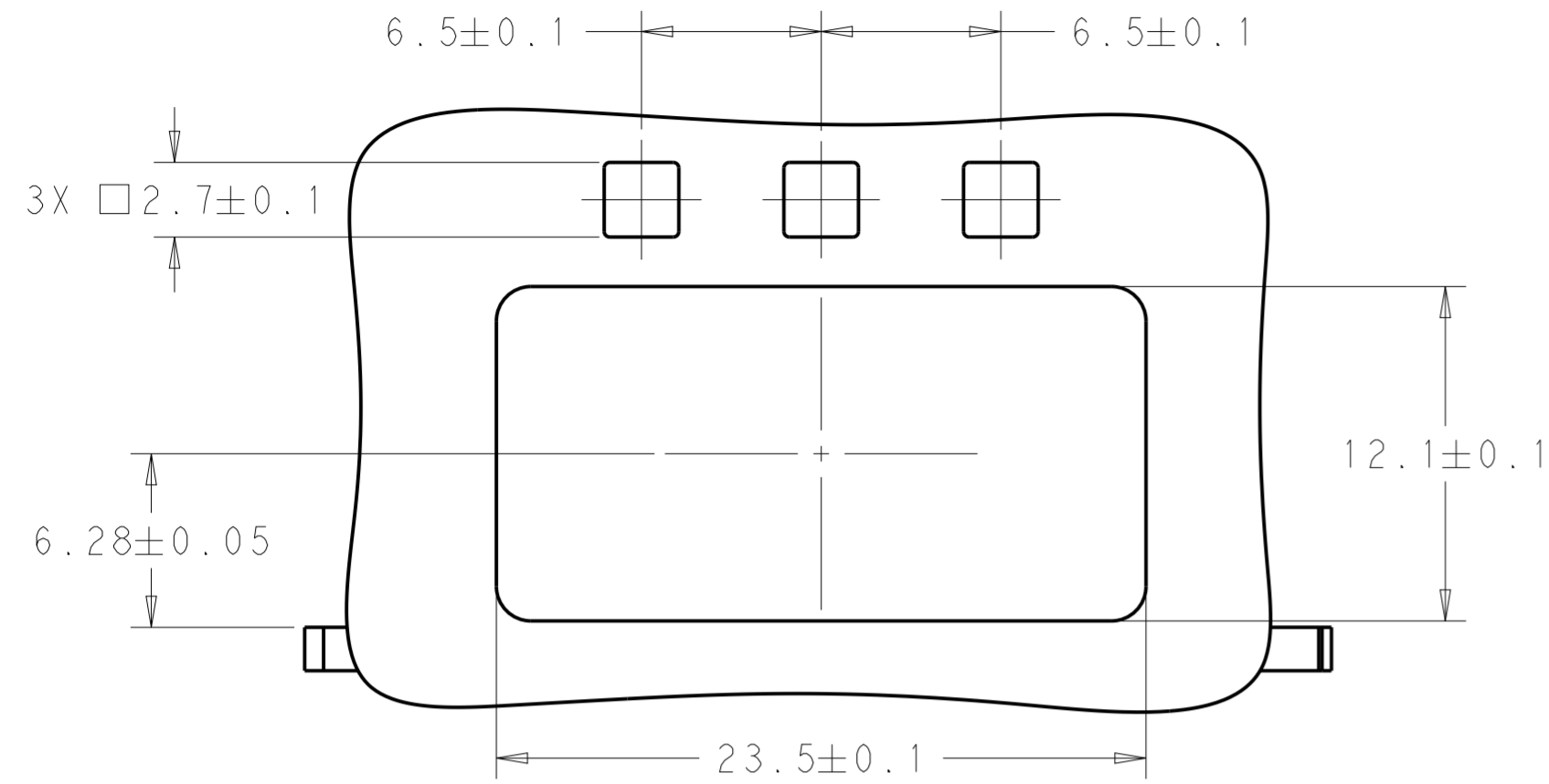


RECOMMENDED KEEPOUT AREA
 SCALE 5:2

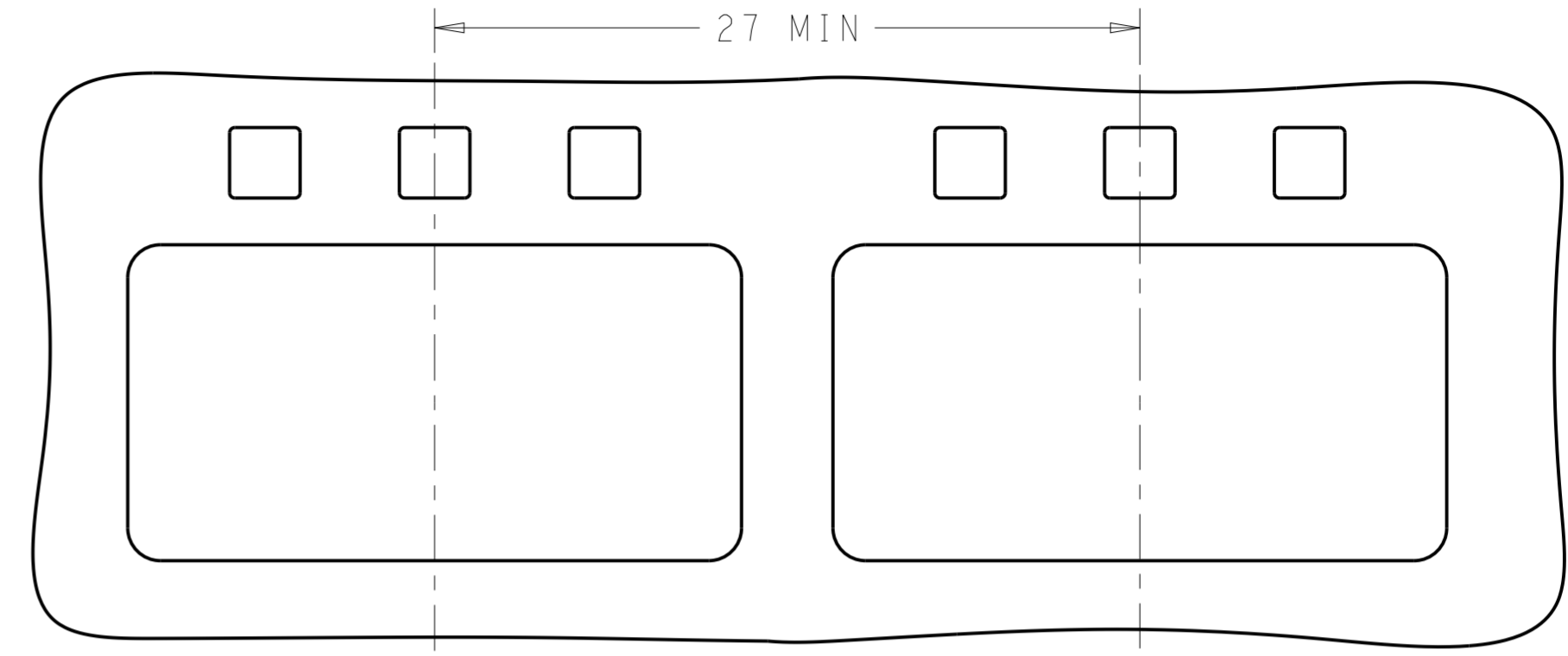
| | | | |
|--|--|------------------------------------|--|
| THIS DRAWING IS A CONTROLLED DOCUMENT. DIMENSIONING AND TOLERANCING PER ASME Y14.5M-2009 | | DWN 09 JUN 2010 M. E. COWHER | TE Connectivity |
| DIMENSIONS: mm | | CHK 10 JUN 2010 M. D. MORRISON | |
| TOLERANCES UNLESS OTHERWISE SPECIFIED: | | APVD 10 JUN 2010 M. D. MORRISON | NAME |
| 0 PLC ±0.15 | | PRODUCT SPEC | RECEPTACLE ASSEMBLY WITH LIGHTPIPE AND HEAT SINK, 84 POSITION, CXP |
| 1 PLC ±0.15 | | APPLICATION SPEC | SIZE CAGE CODE DRAWING NO |
| 2 PLC ±0.15 | | 114-13283 | A200779 C-2149159 |
| 3 PLC ± | | WEIGHT | RESTRICTED TO |
| 4 PLC ± | | Customer Drawing | SCALE 1:1 SHEET 4 OF 5 REV A |
| ANGLES ± | | | |
| FINISH ± | | | |

THIS DRAWING IS UNPUBLISHED. RELEASED FOR PUBLICATION 20
 © COPYRIGHT 20 BY - ALL RIGHTS RESERVED.

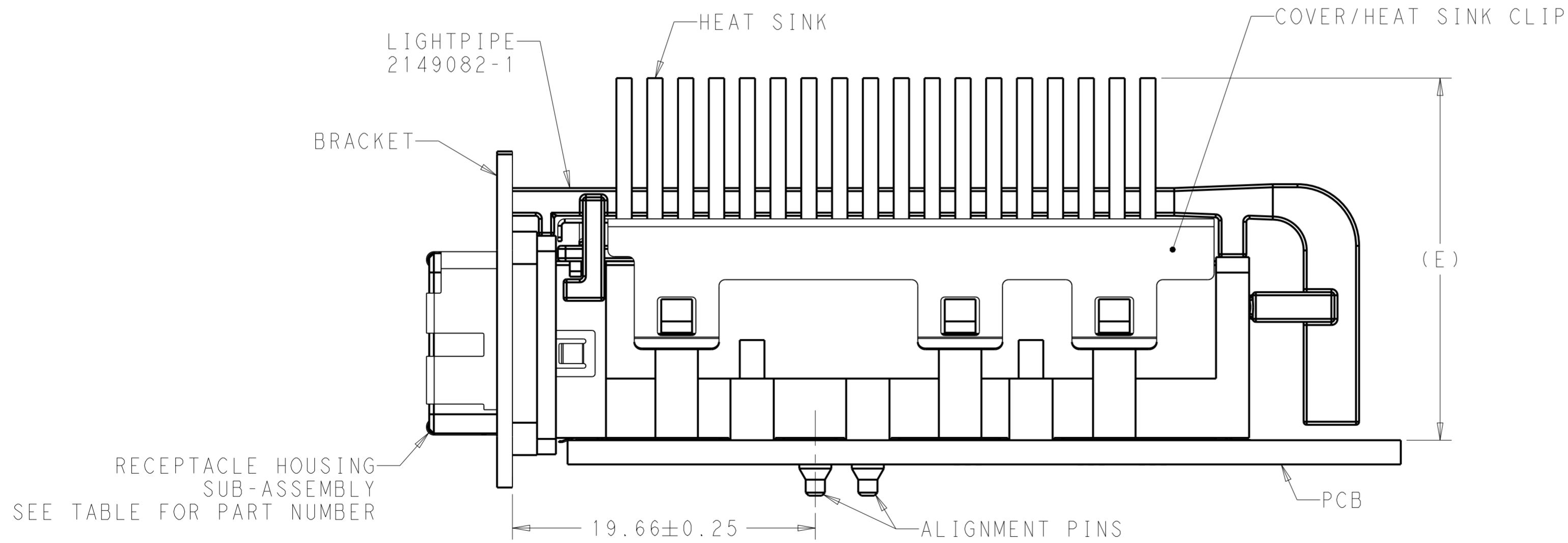
| REVISIONS | | | | |
|-----------|-----|-------------|------|------|
| P | LTR | DESCRIPTION | DATE | APVD |
| - | - | SEE SHEET 1 | - | - |
| | | | | |
| | | | | |



RECOMMENDED BRACKET CUT-OUT
 SCALE 4:1



RECOMMENDED BRACKET CUT-OUT SPACING
 SCALE 4:1



RECOMMENDED BRACKET LOCATION AND
 HEIGHT OF HEAT SINK MEASURED FROM PCB
 SCALE 4:1

| | | | |
|--|-------------|------------------------------------|--|
| THIS DRAWING IS A CONTROLLED DOCUMENT. DIMENSIONING AND TOLERANCING PER ASME Y14.5M-2009 | | DWN 09 JUN 2010 M. E. COWHER | STE TE Connectivity |
| DIMENSIONS: mm | | CHK 10 JUN 2010 M. D. MORRISON | |
| TOLERANCES UNLESS OTHERWISE SPECIFIED: | | APVD 10 JUN 2010 M. D. MORRISON | NAME |
| 0 PLC ±0.15 | 1 PLC ±0.15 | PRODUCT SPEC | RECEPTACLE ASSEMBLY WITH LIGHTPIPE AND HEAT SINK, 84 POSITION, CXP |
| 2 PLC ±0.15 | 3 PLC ± | APPLICATION SPEC | SIZE CAGE CODE DRAWING NO RESTRICTED TO |
| 4 PLC ± | ANGLES ± | 114-13283 | A200779 C-2149159 |
| MATERIAL FINISH | ± | WEIGHT - | SCALE 1:1 SHEET 5 OF 5 REV A |
| Customer Drawing | | | |

单击下面可查看定价，库存，交付和生命周期等信息

[>>TE Connectivity\(泰科\)](#)