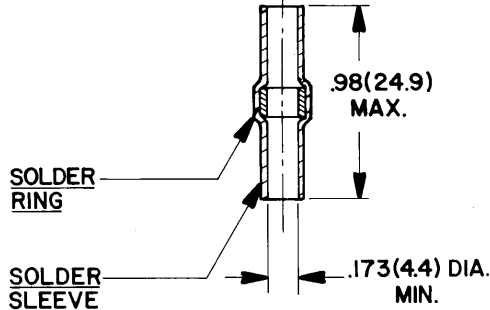
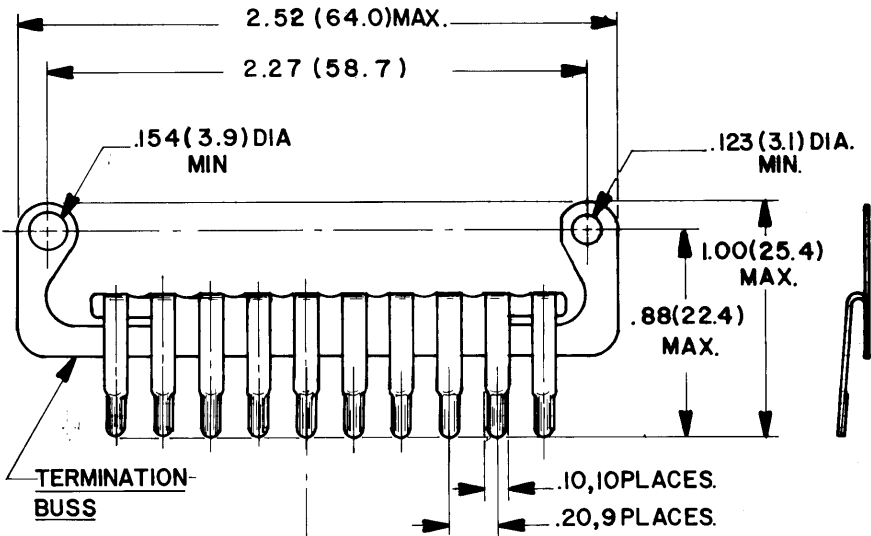


REVISIONS		DESCRIPTION	DATE	APPROVED
ZONE	LTR			
	A	INITIAL RELEASE DCO # 00175	4-10-79	<i>MJG</i>



NOTES:

- MATERIALS:**
 - 1-A TERMINATION BUSS; .020(0.5) THICK COPPER ALLOY PER QQ-C-533.
 - 1-B SOLDER SLEEVE; TRANSPARENT BLUE HEAT SHINKABLE RADIATION CROSS LINKED PVF₂.
 - 1-C SOLDER RING; SOLDER PREFORM WITH FLUX. TYPE: Sn63 SRAP PER QQ-S-571.
- FINISH:** 2-A TERMINATION BUSS; TIN PLATED PER MIL-T-10727, TYPE I.
- THIS KIT IS DESIGNED TO TERMINATE CONDUCTOR SHIELDS TO **Raychem** MTC100 SERIES, 2 INCH CONNECTOR.
- BUSS TABS AND SOLDER SLEEVE DESIGNED TO ACCOMODATE SHIELDED CABLE CONSTRUCTION NOT TO EXCEEDING .152(3.8) DIA. MAX.
- THIS KIT CONSISTS OF THE FOLLOWING:
 - 5-A (1) SHIELD TERMINATION BUSS.
 - 5-B (10) CTA-0024, SOLDER SLEEVE WIRE TERMINATORS.

CONNECTOR SPECIFICATION CONTROL DRAWING

UNLESS OTHERWISE SPECIFIED DIMENSIONS ARE IN INCHES. BRACKETED DIMENSIONS () ARE METRIC AND TOLERANCES ARE: .XXX: ± .005 (0.1) .XX: ± .02 (0.5) Δ: ±	DRAWN	SA. LOPEZ	4-10-79	Raychem	RAYCHEM CORPORATION 300 CONSTITUTION DRIVE MENLO PARK, CALIFORNIA 94025		
	CHECKED	<i>Hagman</i>	4-10-79		TITLE	2" SHIELD TERMINATION BUSS KIT	
	APPROVED	<i>MJG</i>	4-10-79	APPROVED	LOW TEMP 125°C (Sn63) MTC100 SERIES		
	APPROVED	<i>SLR</i>	4-10-79	APPROVED	SIZE	CODE IDENT	DWG. NO.
				B	NO. 06090	CTA-0023	
	PROJECT	6448 - 7055		WEIGHT	SHEET 1 OF 1		

If this document is printed it becomes uncontrolled.
Check with the web for latest revision.

DO NOT SCALE THIS DRAWING

单击下面可查看定价，库存，交付和生命周期等信息

[>>TE Connectivity\(泰科\)](#)