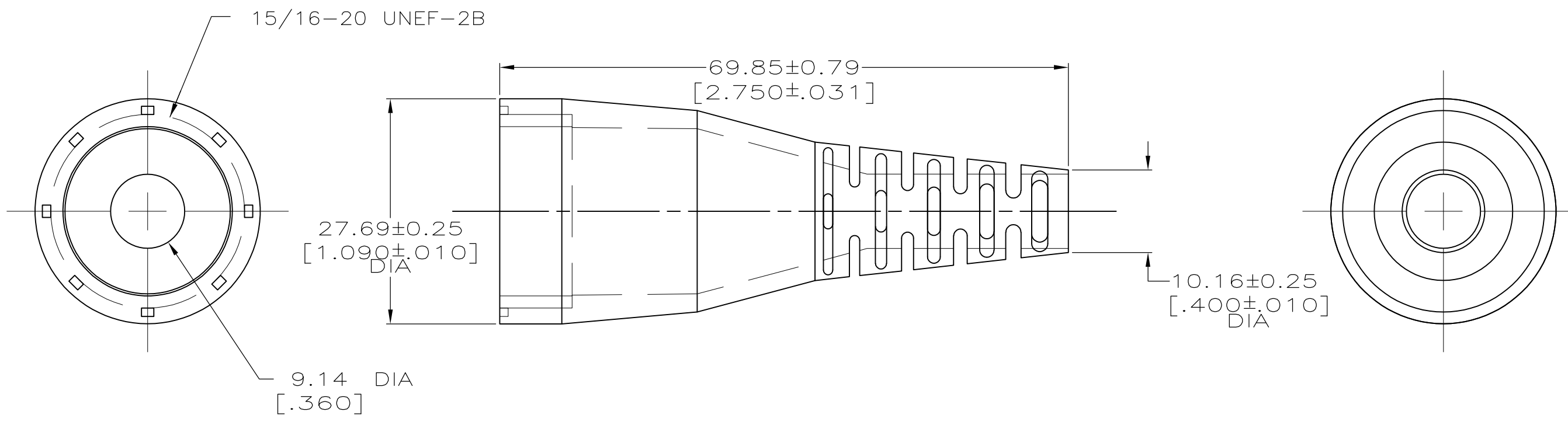


MOD	LOC	DIST	REVISIONS			
P	LTR	DESCRIPTION	DATE	DWN	APVD	
4	BD	35	C1	REVISD PER ECO-11-005027	11MAR11	RK HMR



1. CABLE RANGE 5.08 [.200] – 6.35 [.250] WHEN USED WITH GRIPPER P/N 207387-1.
2. CABLE RANGE 6.35 [.250] – 8.89 [.350] WHEN USED WITH GRIPPER P/N 207387-2 OR 207387-4.

207241-1
PART NO

THIS DRAWING IS A CONTROLLED DOCUMENT.		DWN M.BINNER 07/29/94	<p>TE Connectivity</p> <p>CABLE BOOT, FLEXIBLE, SIZE 17, CPC</p>			
DIMENSIONS: mm [INCHES]		CHK R.STONE 8-8-94				
		APVD A.FRANTUM 8-9-94				
		PRODUCT SPEC -				
TOLERANCES UNLESS OTHERWISE SPECIFIED:		APPLICATION SPEC -	SIZE A3	CAGE CODE 00779	DRAWING NO C-207241	RESTRICTED TO -
MATERIAL THERMOPLASTIC COLOR: BLACK		FINISH -	WEIGHT -	CUSTOMER DRAWING		SCALE 2:1
				SHEET 1 of 1	REV C1	

单击下面可查看定价，库存，交付和生命周期等信息

[>>TE Connectivity\(泰科\)](#)