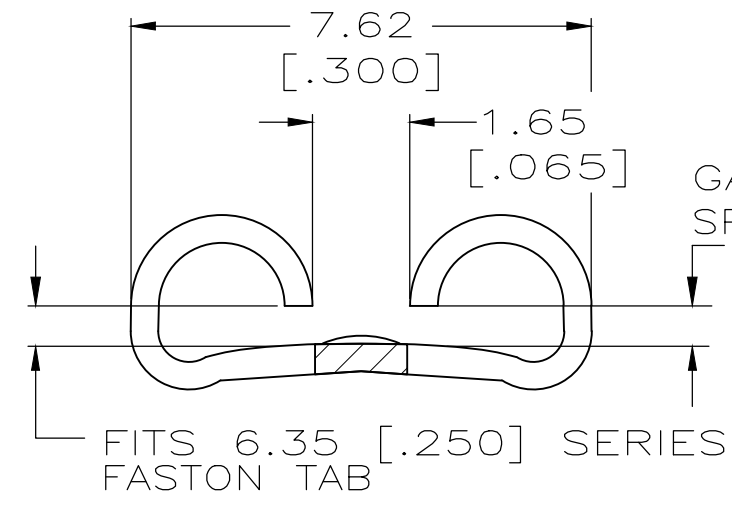
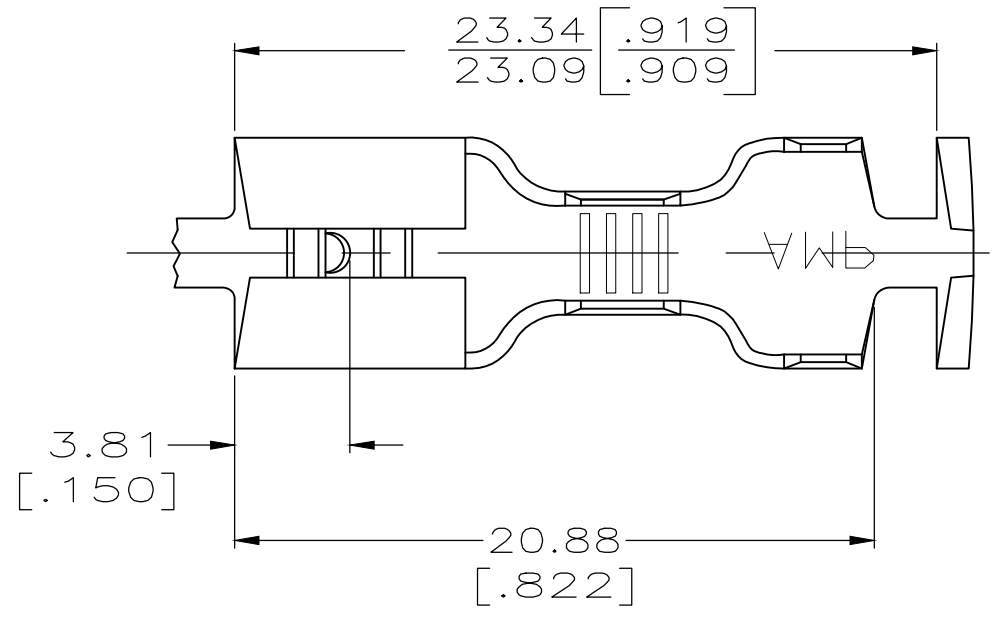


THIS DRAWING IS UNPUBLISHED. RELEASED FOR PUBLICATION
 © COPYRIGHT - By - ALL RIGHTS RESERVED.

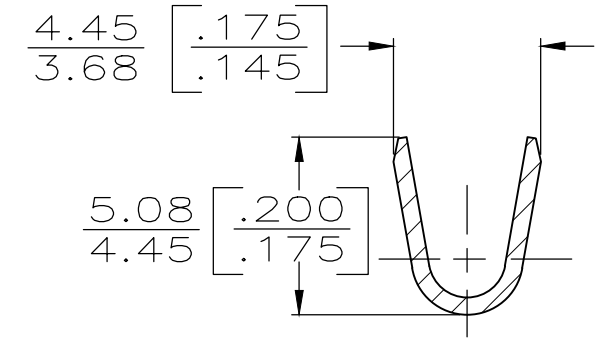
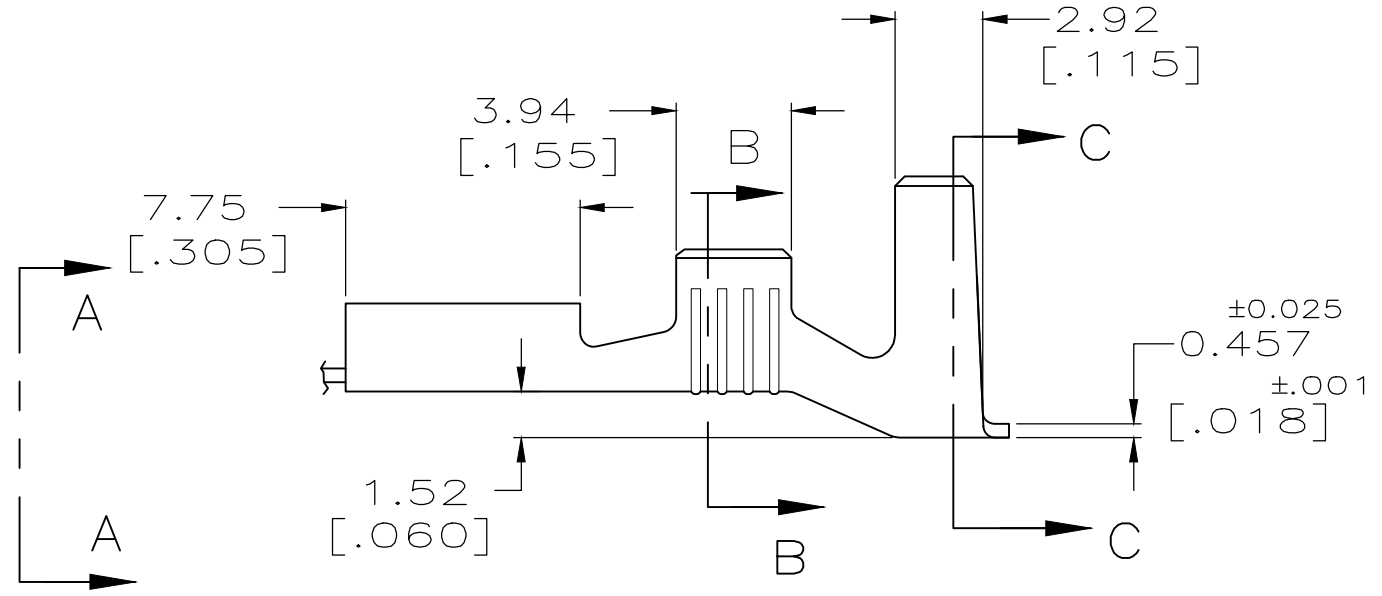
LOC	DIST	REVISIONS					
AF	50	P	LTR	DESCRIPTION	DATE	DWN	APVD
			U1	REVISED PER ECR-20-009164	27JUL2020	MK	DH



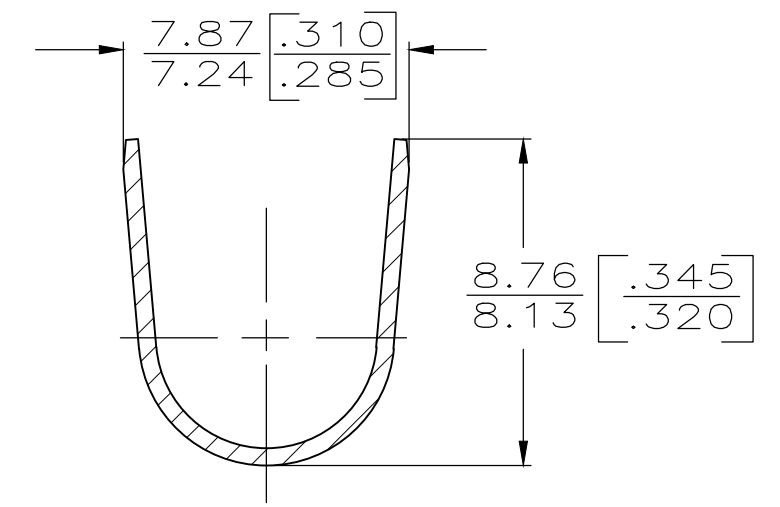
1 CONTINUOUS STRIP ON REELS

GAP AS REQUIRED TO MEET FORCE SPECIFICATIONS AND 0.71 [.028] MAX

VIEW A-A
SCALE 8:1



SECTION B-B
SCALE 5:1



SECTION C-C
SCALE 5:1

5.33-6.73 or (2) 3.05 [.210-.265] or (2) [.120]	1.3-3.0mm ² or (2) 0.8mm ² [16-12] or (2) [#18's]	0.84-0.76 [.033-.030]	41727
INSULATION RANGE	WIRE SIZE	MATING TAB THK	PART NO.

F	7.62 [.300]	6.4 [.252]	F	3.56 [.140]	2.413[.095]	3.0mm ² [12]
					2.083[.082]	2.0mm ² [14]
					1.880[.074]	1.3mm ² [16]
TYPE	WIDTH	STRIP LENGTH ±0.38 ±[.015]	TYPE	WIDTH	±0.051[±.002] HEIGHT	WIRE
INSUL BARREL CRIMP			WIRE BARREL CRIMP			

THIS DRAWING IS A CONTROLLED DOCUMENT.		DWN JR RUTH 7/10/89
DIMENSIONS: mm [INCHES]		CHK MS FEHER 7/10/89
TOLERANCES UNLESS OTHERWISE SPECIFIED:		APVD C MEYERS 7/10/89
0 PLC ± -		PRODUCT SPEC
1 PLC ± -		APPLICATION SPEC
2 PLC ± -		WEIGHT
3 PLC ± 0.38 [.015]		CUSTOMER DRAWING
4 PLC ± -		SCALE 4:1
ANGLES ± -		SHEET 1 OF 1
FINISH -		REV U1

STE TE Connectivity			
RECEPTACLE, FASTON, TM .250 SERIES			
SIZE	CAGE CODE	DRAWING NO	RESTRICTED TO
A3	00779	C-41727	-

单击下面可查看定价，库存，交付和生命周期等信息

[>>TE Connectivity\(泰科\)](#)