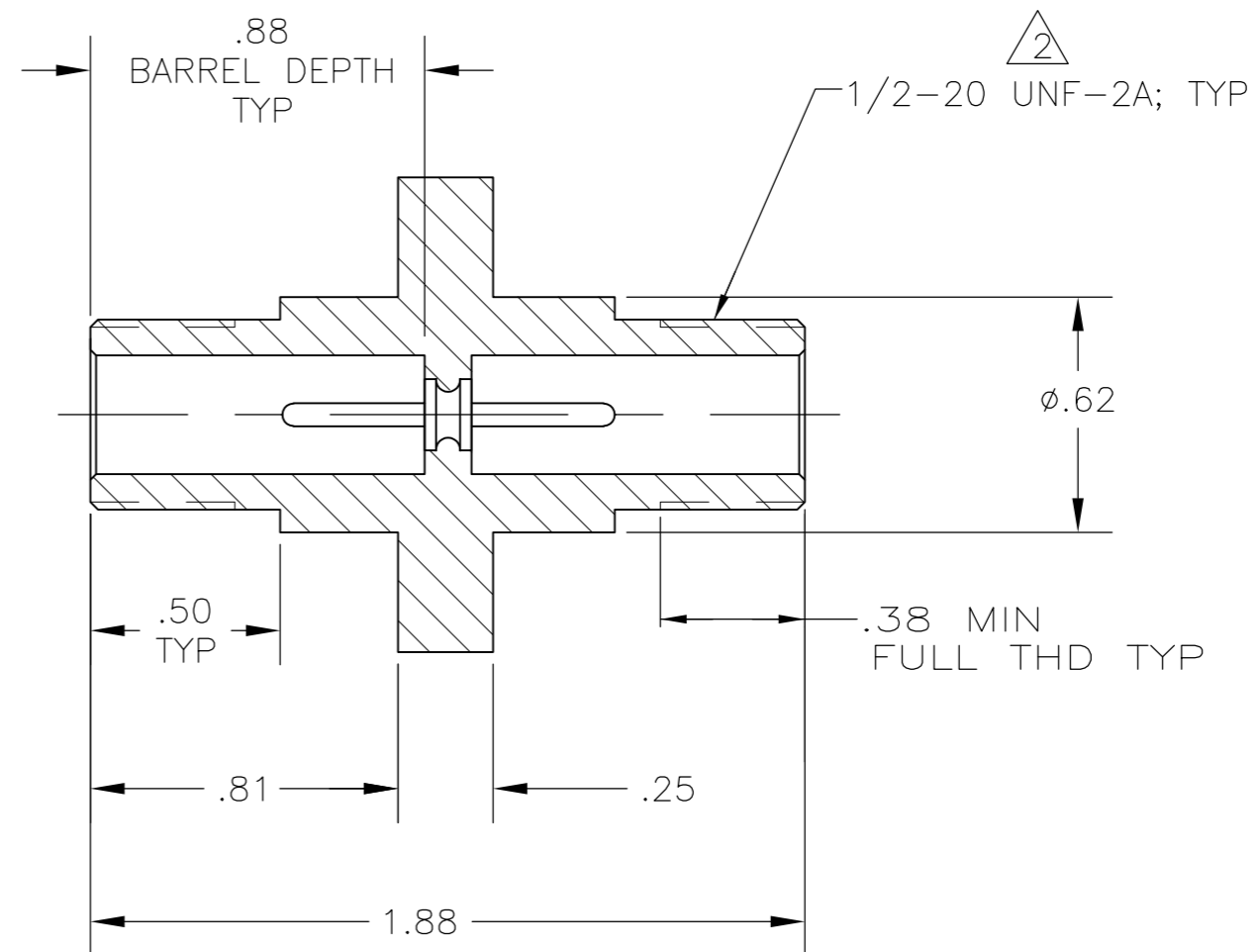
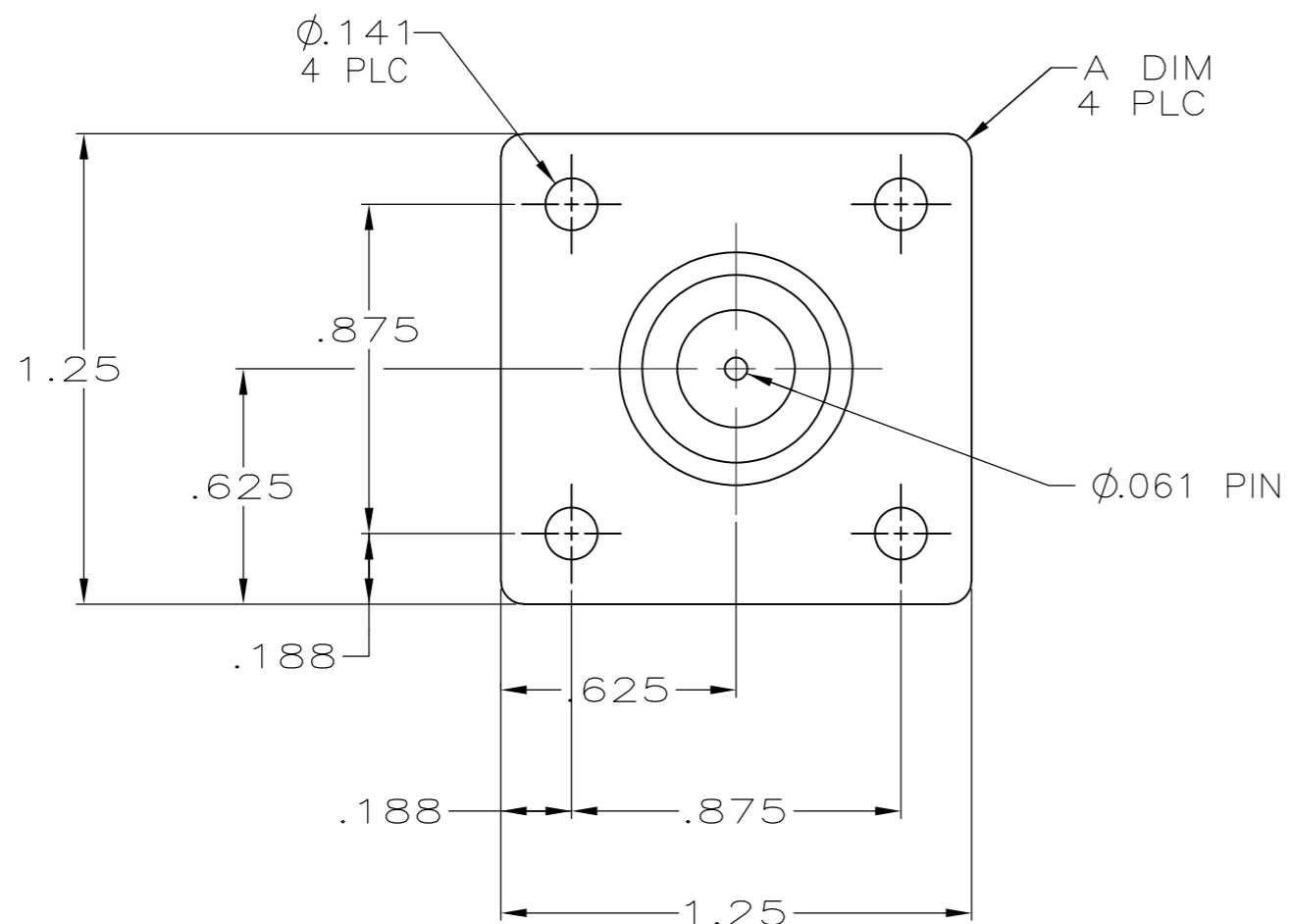


THIS DRAWING IS UNPUBLISHED. RELEASED FOR PUBLICATION
 © COPYRIGHT - By - ALL RIGHTS RESERVED.

LOC		DIST		REVISIONS			
P	LTR	DESCRIPTION		DATE	DWN	APVD	
	J	REV PER ECO-12-009413		25MAY12	PY	DE	



1. RECEPTACLE TO MATE WITH AMP LGH-1. LEAD ASSEMBLY AVAILABLE SEPARATELY

\triangle PER FEDERAL STANDARD H-28 3 WIRE METHOD. DIMENSION OVER WIRES TO BE .497-.510

AMP PART NO & CUST PART NO	TIN	.12 X 45°	846793-5
AMP PART NO	GOLD	.03 R	846793-2
AMP PART NO	TIN	.03 R	846793-1
MARKING	PIN FINISH	A	PART NO.

THIS DRAWING IS A CONTROLLED DOCUMENT.		DWN P. YEAGER 10NOV11	STE TE Connectivity																			
DIMENSIONS: INCHES		CHK D. EABY 10NOV11																				
TOLERANCES UNLESS OTHERWISE SPECIFIED:		APVD D. EABY 10NOV11	NAME RECEPTACLE ASSEMBLY, LGH-1, FEED-THROUGH																			
<table border="1"> <tr><td>0 PLC</td><td>±</td><td>-</td></tr> <tr><td>1 PLC</td><td>±</td><td>-</td></tr> <tr><td>2 PLC</td><td>±</td><td>.02</td></tr> <tr><td>3 PLC</td><td>±</td><td>.005</td></tr> <tr><td>4 PLC</td><td>±</td><td>-</td></tr> <tr><td>ANGLES</td><td>±</td><td>-</td></tr> </table>		0 PLC	±	-	1 PLC	±	-	2 PLC	±	.02	3 PLC	±	.005	4 PLC	±	-	ANGLES	±	-	PRODUCT SPEC -	SIZE A2	CAGE CODE 00779
0 PLC	±	-																				
1 PLC	±	-																				
2 PLC	±	.02																				
3 PLC	±	.005																				
4 PLC	±	-																				
ANGLES	±	-																				
MATERIAL GLASS EPOXY (MOLDED)		FINISH BLACK	DRAWING NO C=846793	RESTRICTED TO -																		
CUSTOMER DRAWING		WEIGHT -	SCALE 2:1	SHEET 1 of 1																		

单击下面可查看定价，库存，交付和生命周期等信息

[>>TE Connectivity\(泰科\)](#)