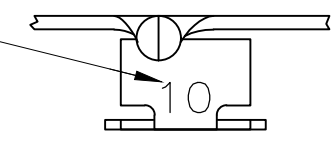


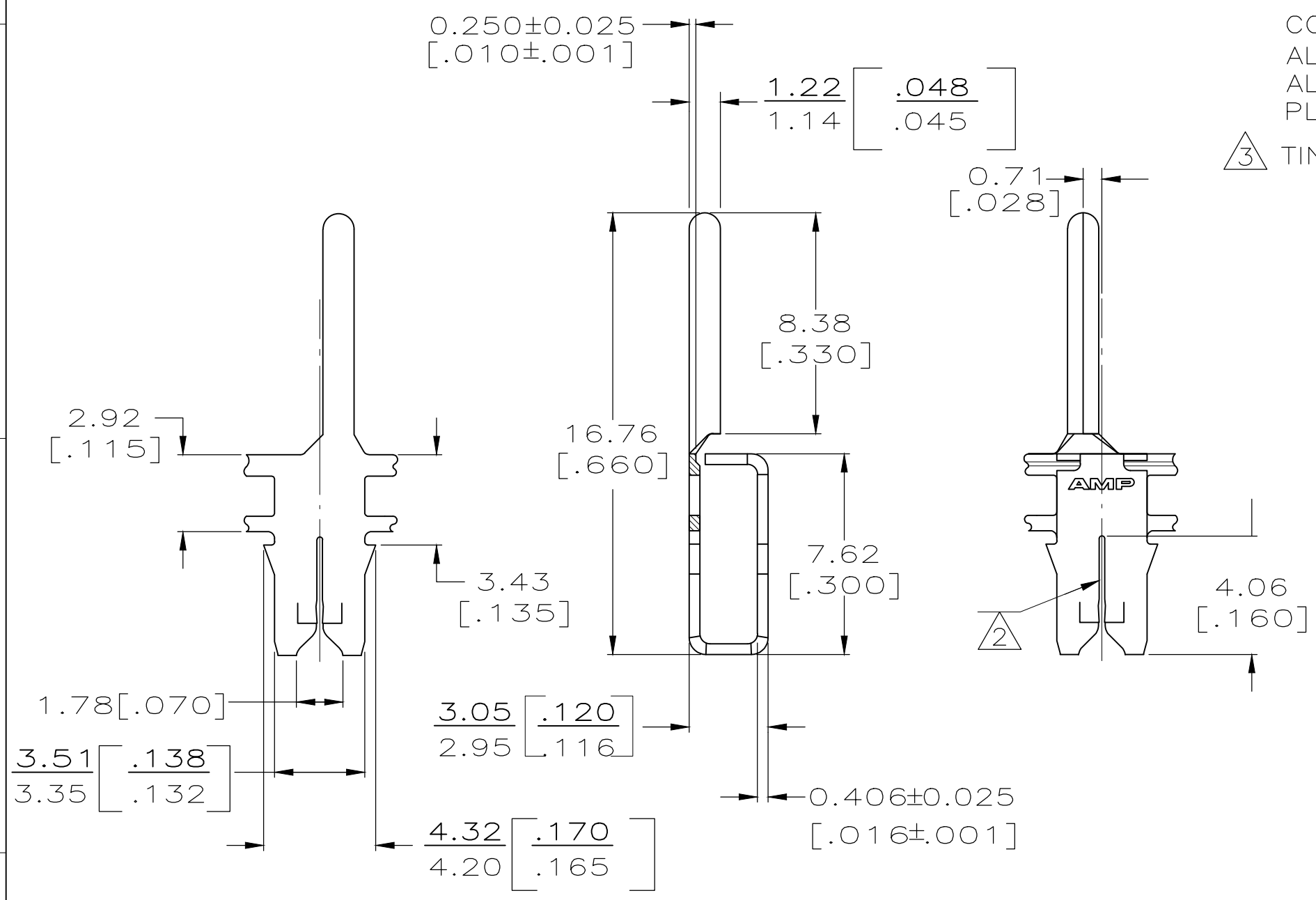
THIS DRAWING IS UNPUBLISHED. RELEASED FOR PUBLICATION  
 © COPYRIGHT - By - ALL RIGHTS RESERVED.

LOC	DIST	REVISIONS					
AF	50	P	LTR	DESCRIPTION	DATE	DWN	APVD
			D2	REVISED PER ECR-19-013909	30SEP2019	PC	MB

IDENTIFICATION NUMBER 10 FOR  
MAGNET WIRE RANGE



- 1 CONTINUOUS STRIP ON REELS WITH TERMINALS LOCATED ON 5.59 [.220] CENTERS.
- 2 SLOT TERMINATES EITHER SINGLE OR DOUBLE MAGNET WIRES OF THE SAME TYPE AND SIZE, COPPER RANGE IS 0.36-0.57mm [#27-#23 AWG]. ALUMINIUM RANGE IS 0.51-0.64mm [#24-#22] AWG. ALUMINIUM WIRE RANGE APPLIES FOR POST TIN PLATED PART NUMBERS ONLY.
- 3 TIN PLATE PER MIL-T-10727



63570-1

THIS DRAWING IS A CONTROLLED DOCUMENT.		DWN D.K. SCHRUM 2/1/90	TE Connectivity		
DIMENSIONS: INCHES		CHK M.S. FEHER 2/2/90			
TOLERANCES UNLESS OTHERWISE SPECIFIED:		APVD D.F. DECKER 2/2/90	PRODUCT SPEC 108-2012		RESTRICTED TO
0 PLC ± - 1 PLC ± - 2 PLC ± 0.15[.006] 3 PLC ± - 4 PLC ± - ANGLES ± -		APPLICATION SPEC 114-2046	SIZE A3	CAGE CODE 00779	DRAWING NO C-63570
MATERIAL BRASS		FINISH 3	WEIGHT -	SCALE 5:1	
CUSTOMER DRAWING			SHEET 1 OF 1		REV D2

单击下面可查看定价，库存，交付和生命周期等信息

[>>TE Connectivity\(泰科\)](#)