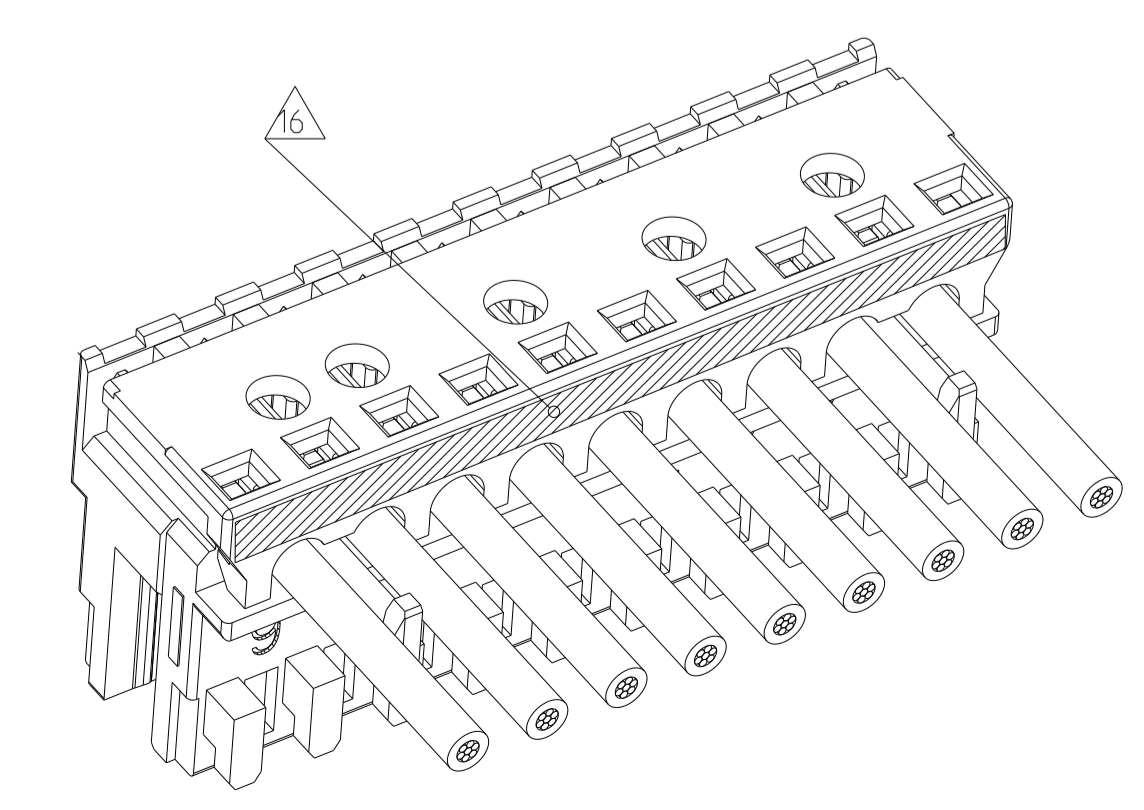
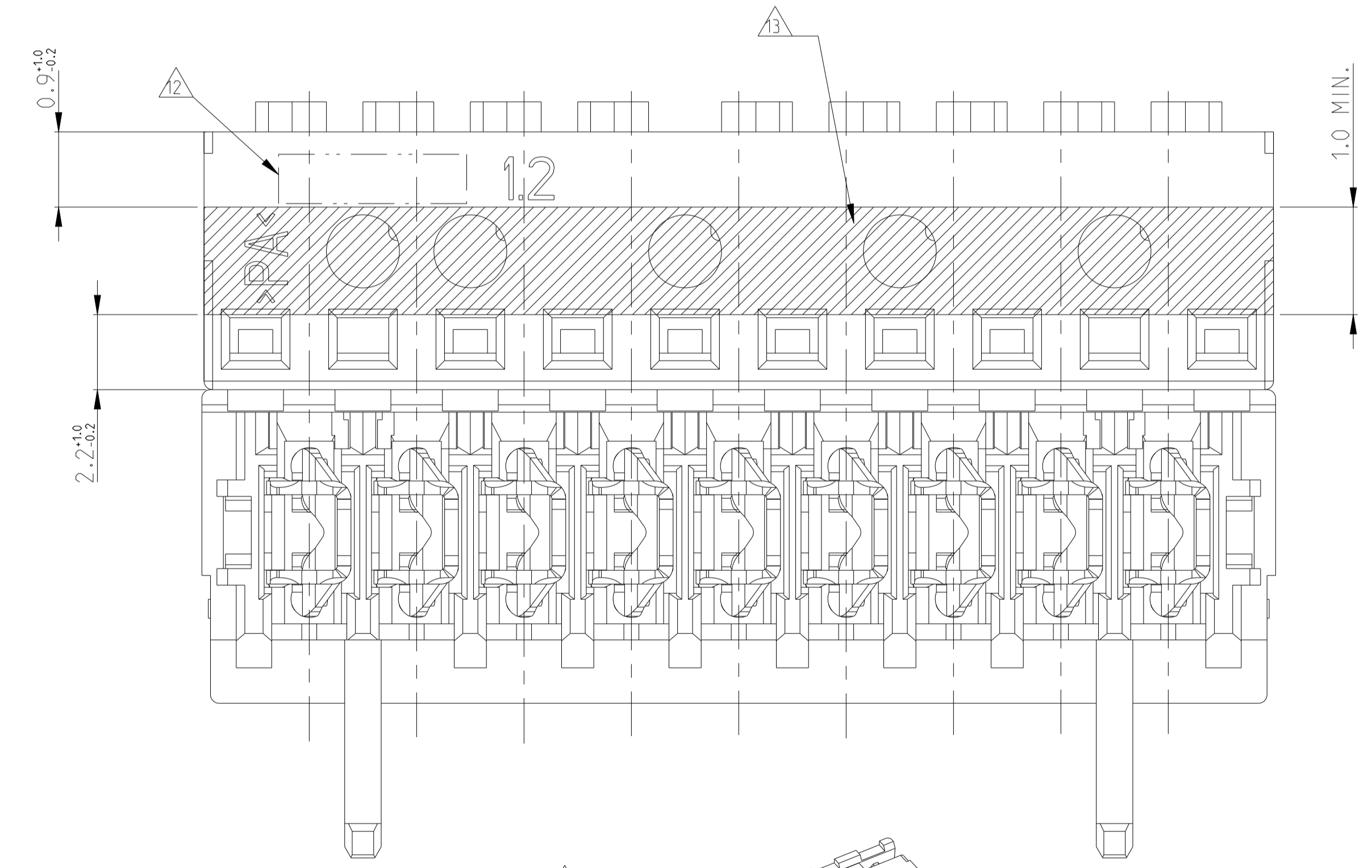
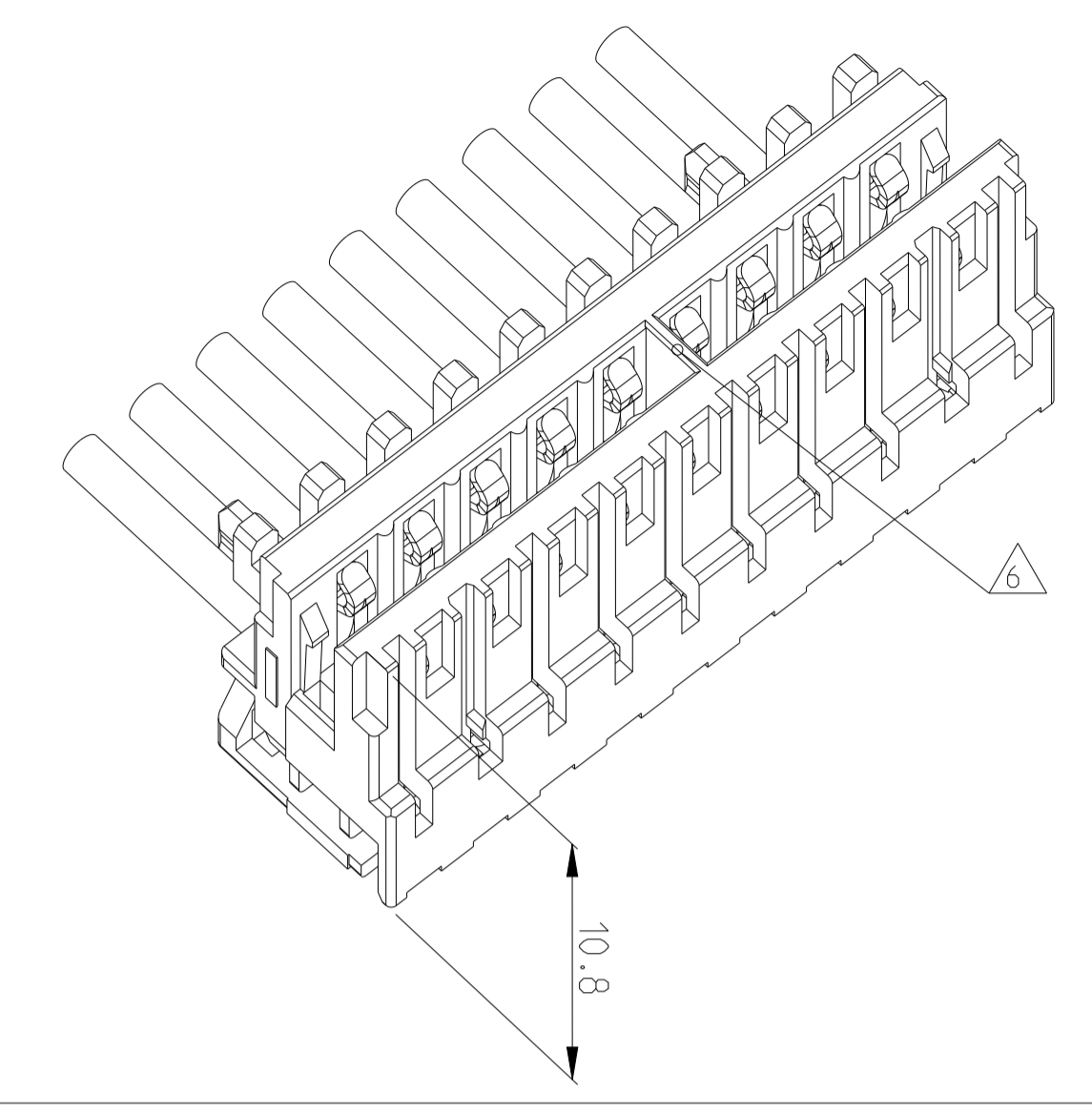


LOC	DIST	REVISIONS			
		REV	DATE	BY	APPV
A1	-	C7	23MAR2020	LZ	FL
		C8	22JUN2020	BDA	KD
		C9	04JUL2021	SM	FL



- △16 STRIPE IN YELLOW COLOR WHERE SHOWN PRESENT ON THE PARTS PRODUCED IN TE COLLEGNO ONLY
- △15 HOUSING COLOUR: SIMILAR RAL 5024
- △14 PRELIMINARY - NOT RELEASED FOR PRODUCTION
- △13 COLOR STRIP ON COVER OF HOUSING. NOT THE COLOR OF HOUSING
- △12 TE LOGO
- △8 - △11 SEE SHEET 2 siehe Blatt 2
- △7 RESERVED FOR BASIC NO. 1 740 155 Fuer Basisnummer 1 740 155 reserviert
- △6 POLARIZATION RIB BETWEEN CAVITY NO. ... Polarisierungsrippe zwischen Kammer Nr. ...
- △5 LOCKING HOOK BETWEEN BEFORE CAVITY NO. 1 AND AFTER LAST CAVITY Rasthaken vor Kammer Nr. 1 und letzter Kammer
- 4 WIRE RANGE: 0.22-0.35mm² Drahtgroßenbereich: 0.22-0.35mm²
- △3 IEC 60695-2-1 / IEC60335-1 GLOW WIRE TEST 750 °C WITHOUT FLAME IEC 60695-2-1 / IEC60335-1 Gluehdrahttest 750 °C ohne Flamme
- 2 MATING PART: SEE PCB LAYOUT Passender Gegenstecker: Siehe Leiterplattenanschluss
- △1 KEYING RIBS; CUTTING WITH TERMINATION MACHINE POSSIBLE Kodierrippe; Schneiden auf der Verarbeitungsmaschine moeglich

OBSOLETE

Color Code	POS. Polzahl	DIM A	DIM B	POLARIZATION	PN Bestell-Nr.
Green	3	5	9.9	2+3	△14 8-1740154-3 / △15
	3	5	9.9	2+3	△14 7-1740154-3
	3	5	9.9	-	6-1740154-3
	8	17.5	22.4	5 + 6	△14 1-1740154-8
	6	12.5	17.4	4 + 5	△14 1-1740154-6
	5	10	14.9	-	△14 2-1740154-5
	5	10	14.9	4 + 5	△14 1-1740154-5
	4	7.5	12.4	1 + 2	△14 1-1740154-4
	3	5	9.9	2 + 3	△14 1-1740154-3
	6	12.5	17.4	-	9-1740154-6
Blue	5	10	14.9	-	9-1740154-5
	3	5	9.9	-	9-1740154-3
	20	47.5	52.4	9 + 10	-
	19	45	49.9	9 + 10	-
	18	42.5	47.4	8 + 9	-
	17	40	44.9	8 + 9	-
	16	37.5	42.4	7 + 8	△7
	15	35	39.9	7 + 8	-
	14	32.5	37.4	6 + 7	-
	13	30	34.9	6 + 7	-
	12	27.5	32.4	5 + 6	-
	11	25	29.9	5 + 6	-
	10	22.5	27.4	4 + 5	-
	9	20	24.9	4 + 5	-
	8	17.5	22.4	3 + 4	-
	7	15	19.9	3 + 4	-
	6	12.5	17.4	2 + 3	-
	5	10	14.9	2 + 3	-
	4	7.5	12.4	1 + 2	-
	3	5	9.9	1 + 2	-

2	SEE TABLE	CONTACT/Kontakt	CuSn	TINNED/verzinkt
1	siehe Tabelle	HOUSING/Federleistengeh.	PA 6 GF UL94-V2 △3	NATUR/Natur
POS.	PN Bestell-Nr.	DESCRIPTION Beschreibung	MATERIAL	COLOUR/FINISH Farbe/Oberflaeche

THIS DRAWING IS A CONTROLLED DOCUMENT. DIMENSIONS: mm. TOLERANCES UNLESS OTHERWISE SPECIFIED: 0 PLC ±0.2, 1 PLC ±0.2, 2 PLC ±0.2, 3 PLC ±0.2, 4 PLC ±, ANGLES ±°. MATERIAL: SEE TABLE. FINISH: SEE TABLE.

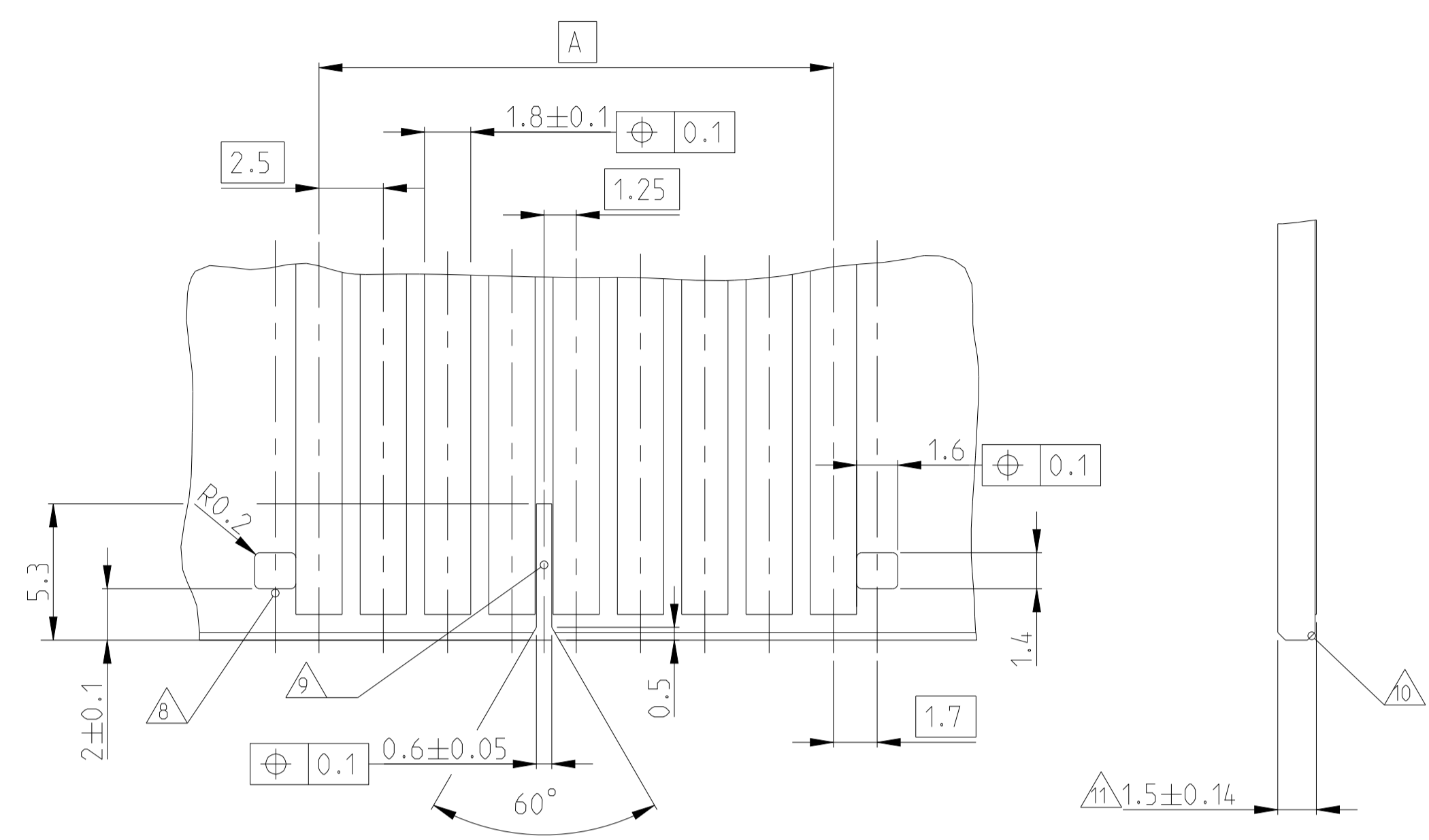
OWN: H. Karabiyik, 05MAR2004. CHK: B. Schnaubelt, 05MAR2004. APVD: T. Klenner, 05MAR2004.

NAME: AMP DUOPLUG MK11 FEMALE CONNECTOR 3-20 POSITION WITH PCB LOCKING. SIZE: A1. CAGE CODE: 00779. DRAWING NO: C=1740154. SHEET 1 OF 2. REV: C9.

TE Connectivity logo and other technical specifications.

LOC		DIST		REVISIONS			
A1		-		REV	DATE	BY	APPV
				1	SEE SHEET 1	-	-

STANDARD PCB LAYOUT
Standard Leiterplattenanschluss



- ▲ INCLUSIVE COPPER CLADDING, SINGLE OR DOUBLE SIDED
Inklusive Kupferkaschierung, ein oder doppelseitig
- ▲ PCB PREFERABLY CHAMFERED
Leiterplatte vorzugsweise angefast
- ▲ SLOT FOR POLARIZATION RIB
Schlitz fuer Polarisierungsrippe
- ▲ WINDOW FOR LOCKING HOOK
Fenster fuer Rasthaken
- ▲ - ▲ SEE SHEET 1
siehe Blatt 1

THIS DRAWING IS A CONTROLLED DOCUMENT.		OWN H. Karabiyik	OSMAR2004	STE TE Connectivity
DIMENSIONS: mm		CHK B. Schnaubelt	OSMAR2004	
TOLERANCES UNLESS OTHERWISE SPECIFIED:		APVD T. Klenner	OSMAR2004	NAME AMP DUOPLUG MKII FEMALE CONNECTOR 3-20 POSITION WITH PCB LOCKING
0 PLC ±0.2		PRODUCT SPEC		SIZE A1
1 PLC ±0.2		APPLICATION SPEC		CAGE CODE 00779
2 PLC ±0.2		WEIGHT		DRAWING NO C=1740154
3 PLC ±		CUSTOMER DRAWING		RESTRICTED TO
4 PLC ±		SCALE		5:1
ANGLES ±°		SHEET		2 OF 2
FINISH		REV		9

单击下面可查看定价，库存，交付和生命周期等信息

[>>TE Connectivity\(泰科\)](#)