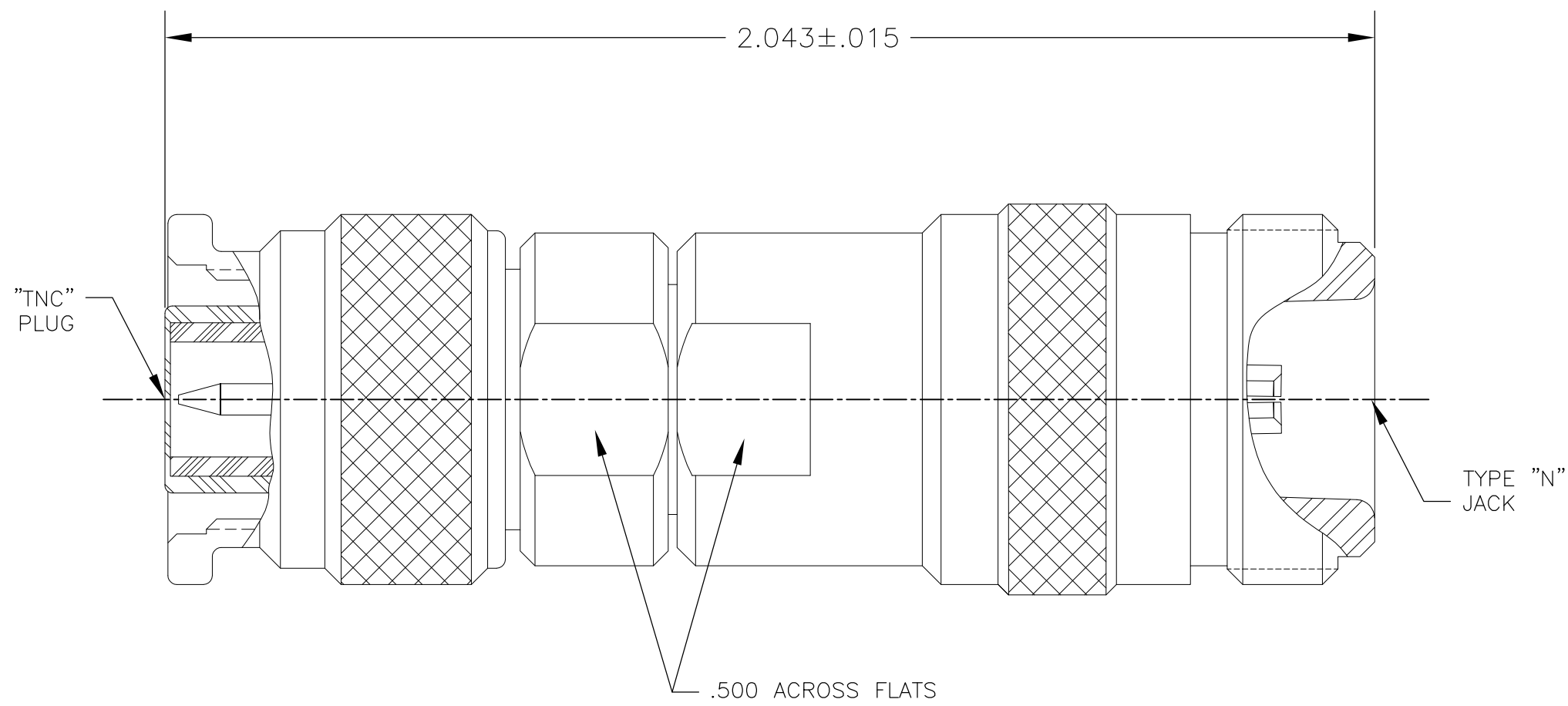


THIS DRAWING IS UNPUBLISHED. RELEASED FOR PUBLICATION
 © COPYRIGHT - By - ALL RIGHTS RESERVED.


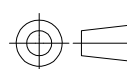
LOC HC	DIST 00	REVISIONS			
P	LTR	DESCRIPTION	DATE	DWN	APVD
	A1	ECR-12-005726	27MAR12	RK	MY



MATERIAL:
 CENTER CONDUCTOR- BERYLLIUM COPPER PER ASTM-B-196, ALLOY C17300 COND H.
 OUTER CONDUCTOR- STAINLESS STEEL PER ASTM-A-484 AND ASTM-A-582 TYPE 303.

DIELECTRIC- PTFE PER ASTM-D-1457

PLATING:
 INNER CONDUCTOR- GOLD PER MIL-G-45204
 OUTER CONDUCTOR- PASSIVATED PER QQ-P-35

THIS DRAWING IS A CONTROLLED DOCUMENT.		DWN G. VIERA 28APR03	 TE Connectivity		
DIMENSIONS: INCHES		CHK D. CAMELIO 29APR03			
		APVD D. CAMELIO 29APR03	NAME N JACK TO TNC PLUG ADAPTER 3082-2311-00		
TOLERANCES UNLESS OTHERWISE SPECIFIED:		PRODUCT SPEC	SIZE		
0 PLC ± -	1 PLC ± -	APPLICATION SPEC	CAGE CODE	DRAWING NO	RESTRICTED TO
2 PLC ± -	3 PLC ± .003	WEIGHT	A300779	C-1057388-1	-
4 PLC ± -	ANGLES ± 1'0"	MATERIAL	CUSTOMER DRAWING		
FINISH			SCALE	SHEET	REV
-			4:1	1 OF 1	A1

单击下面可查看定价，库存，交付和生命周期等信息

[>>TE Connectivity\(泰科\)](#)