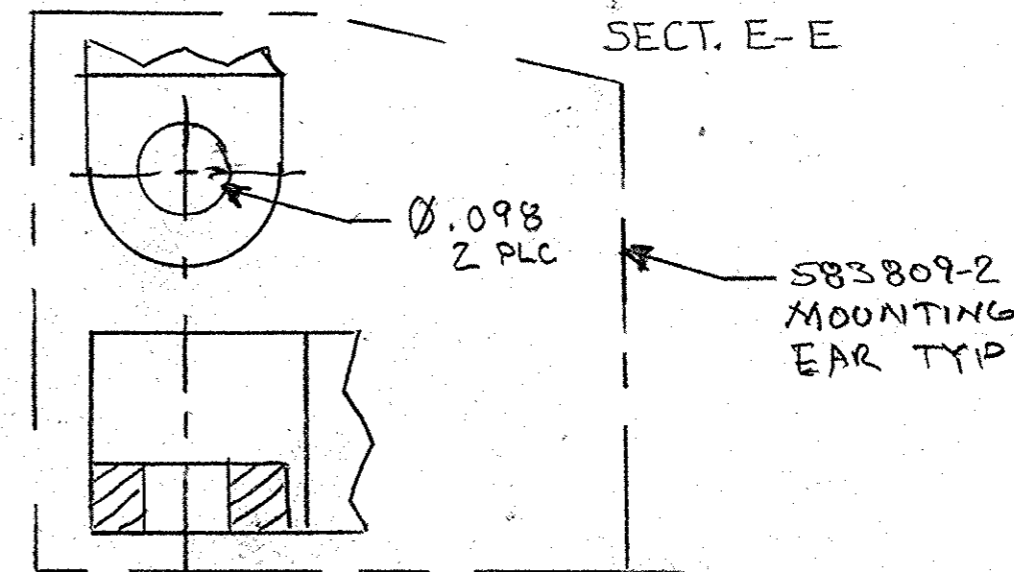
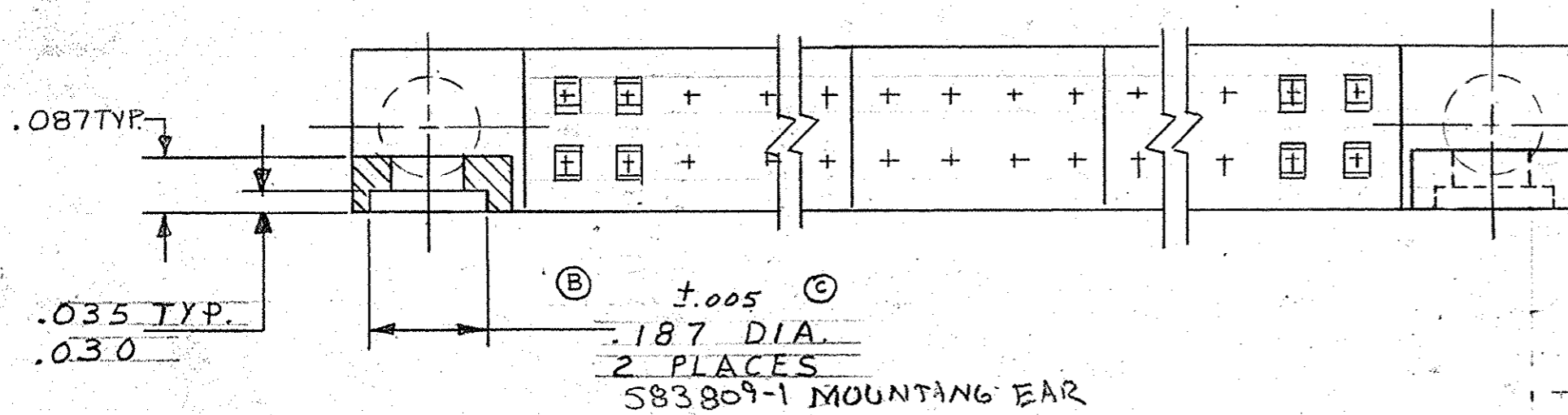
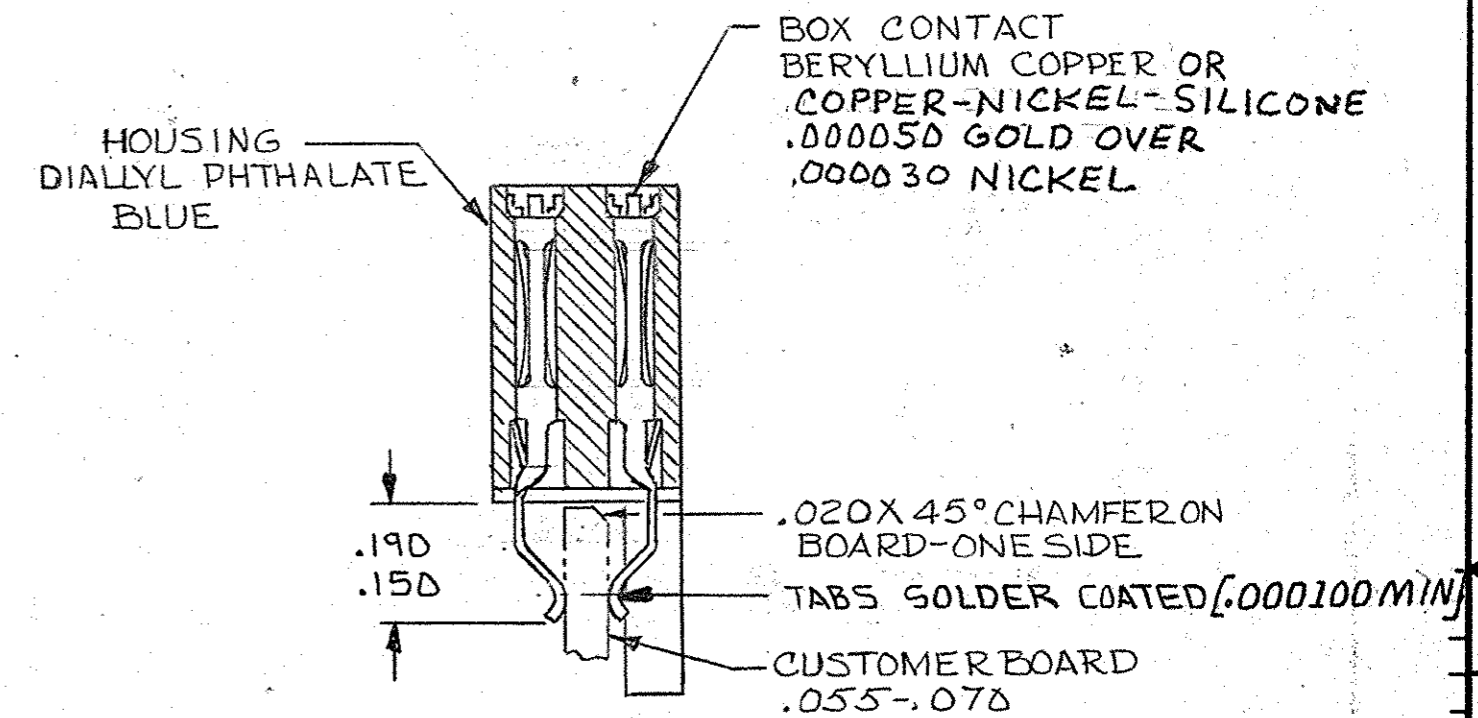
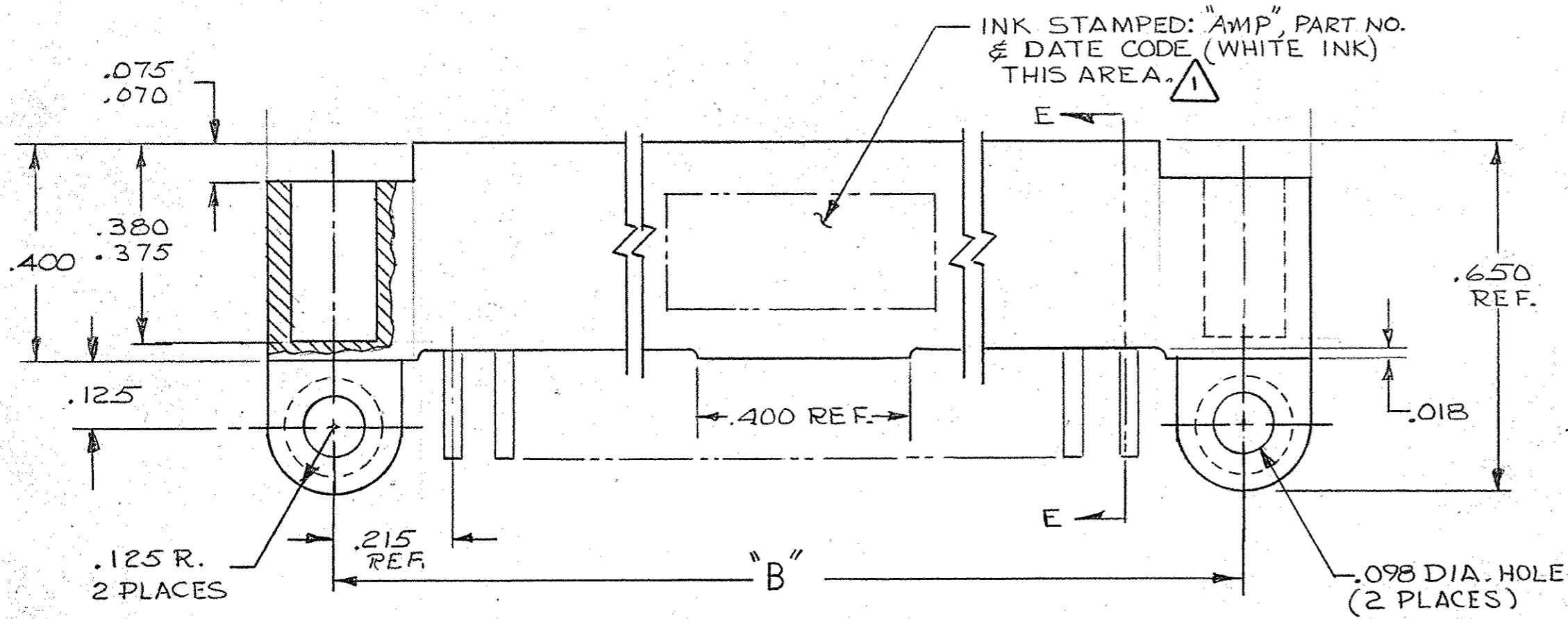
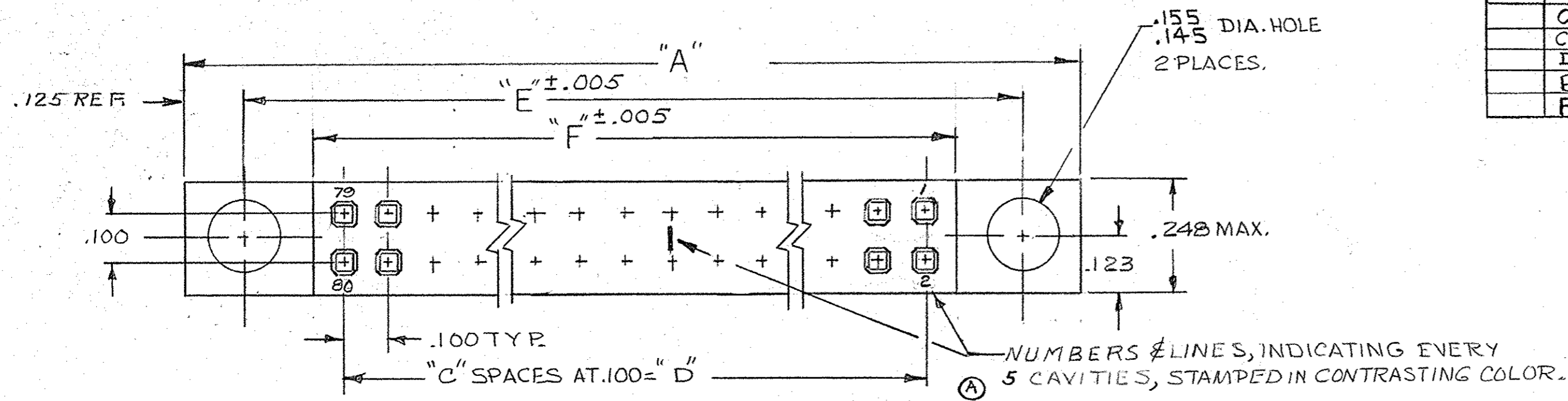


© 19 BY AMP INCORPORATED. ALL RIGHTS RESERVED. AMP PRODUCTS COVERED BY PATENTS AND/OR PATENTS PENDING.

ZONE	LTR	DESCRIPTION	DATE	APPROVED
	0	RELEASED WAS 5087-600 CUST	J.W. 12-2-71	D.H.
	A	REVISED 3868	M.S. 7-23-73	M.Z.
	B	REVISED 4550	M.S. 9-24-75	DR
	C	REVISED 4710	M.S. 3-4-76	DR
	C	ADDED TYPE-2 ECN 8128	W.A. 9-23-82	EAM
	C2	REVISED ECN 0034	db 10-27-83	EAM
	D	REVISED ECN AB-0535	db 2-27-85	EAM
	E	REV PER 0630-0464-03	CT 3-09	DRM
	F	REV PER ECO-50-013297	11-05	PY



715213-2	583809-2	80	4.580	4.330	39	3.900	4.330	4.030
715213-1	583809-1	80	4.580	4.330	39	3.900	4.330	4.030
CUSTOMER'S PART NO.	ASS'Y. PART NO.	NO POS.	A	B	C	D	E	F.

UNLESS OTHERWISE SPECIFIED, DIMENSIONS ARE IN INCHES TOLERANCES ON: DECIMALS ±.010 ANGLES ±

MATERIAL: SEE CALL-OUT.

CONTRACT NO.:

DR: *Ryckle 10-4-71*

CHK: *S.S. Heide 12/3/71*

APPD: *P. P. P. 12/3/71*

REL: *D. Shuman 12/3/71*

DSGN APPD:

OTHER APPD:

AMP INCORPORATED HARRISBURG, PENNSYLVANIA

NAME: RECEPTACLE ASSEMBLY, BOX CONTACT, .100 CENTERLINES

SIZE: C CODE IDENT NO.: 00779 NUMBER: 583809

SCALE: 4:1 SHEET: _____

▲ SPECIAL MARKING OF CUSTOMER P/N SEE TABLE

▲ COUNTER BORED HOLE TO BE SECONDARY OPERATION, FOR TYPE 1 ONLY.

NUMBER 583809

单击下面可查看定价，库存，交付和生命周期等信息

[>>TE Connectivity\(泰科\)](#)