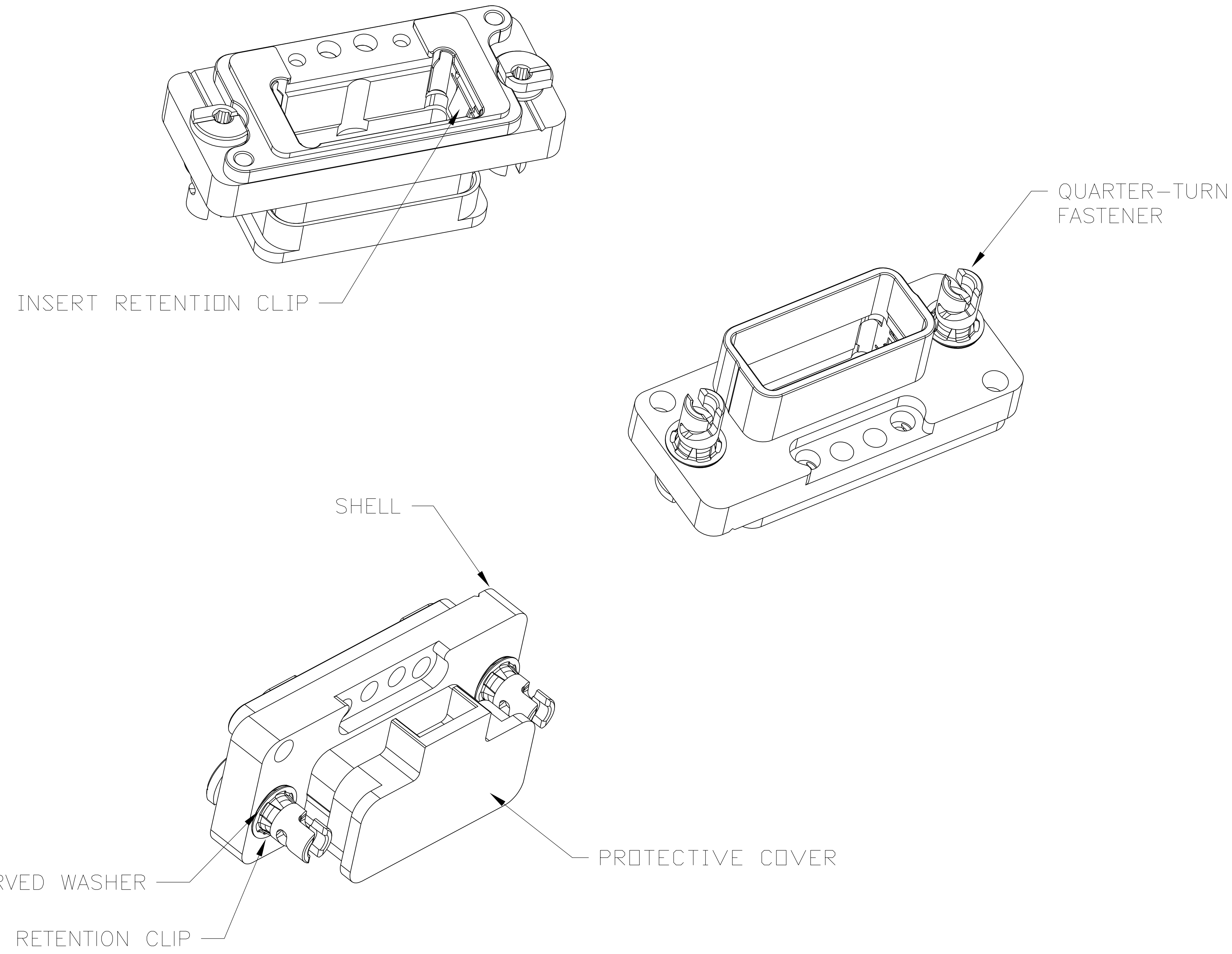
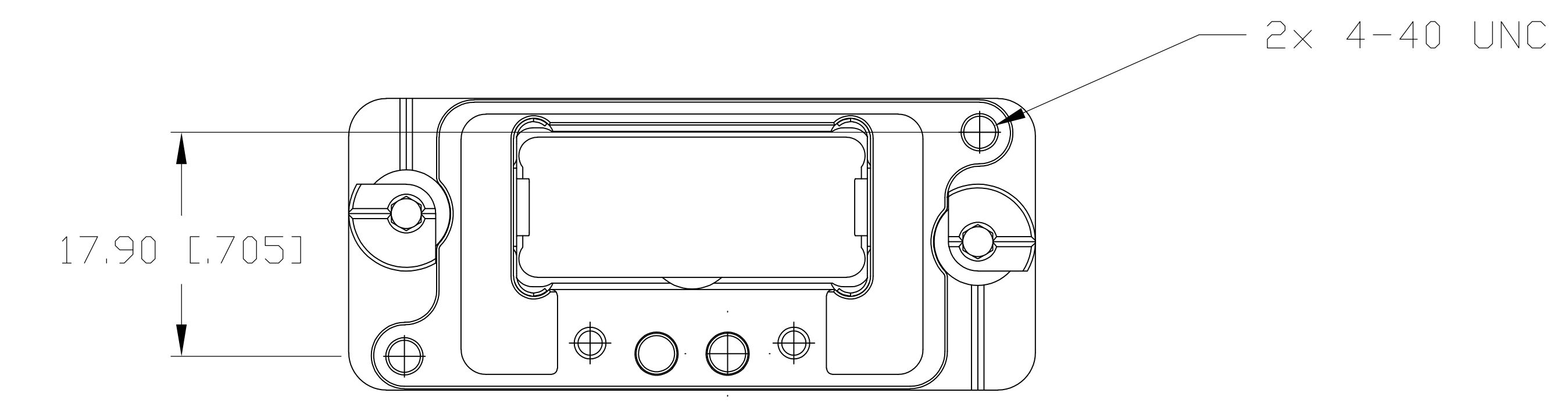
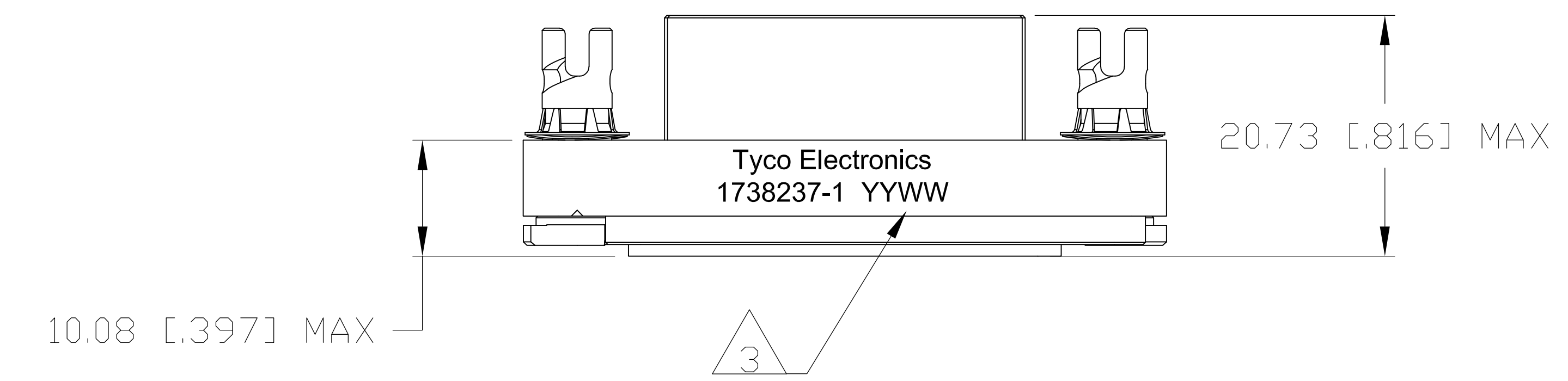
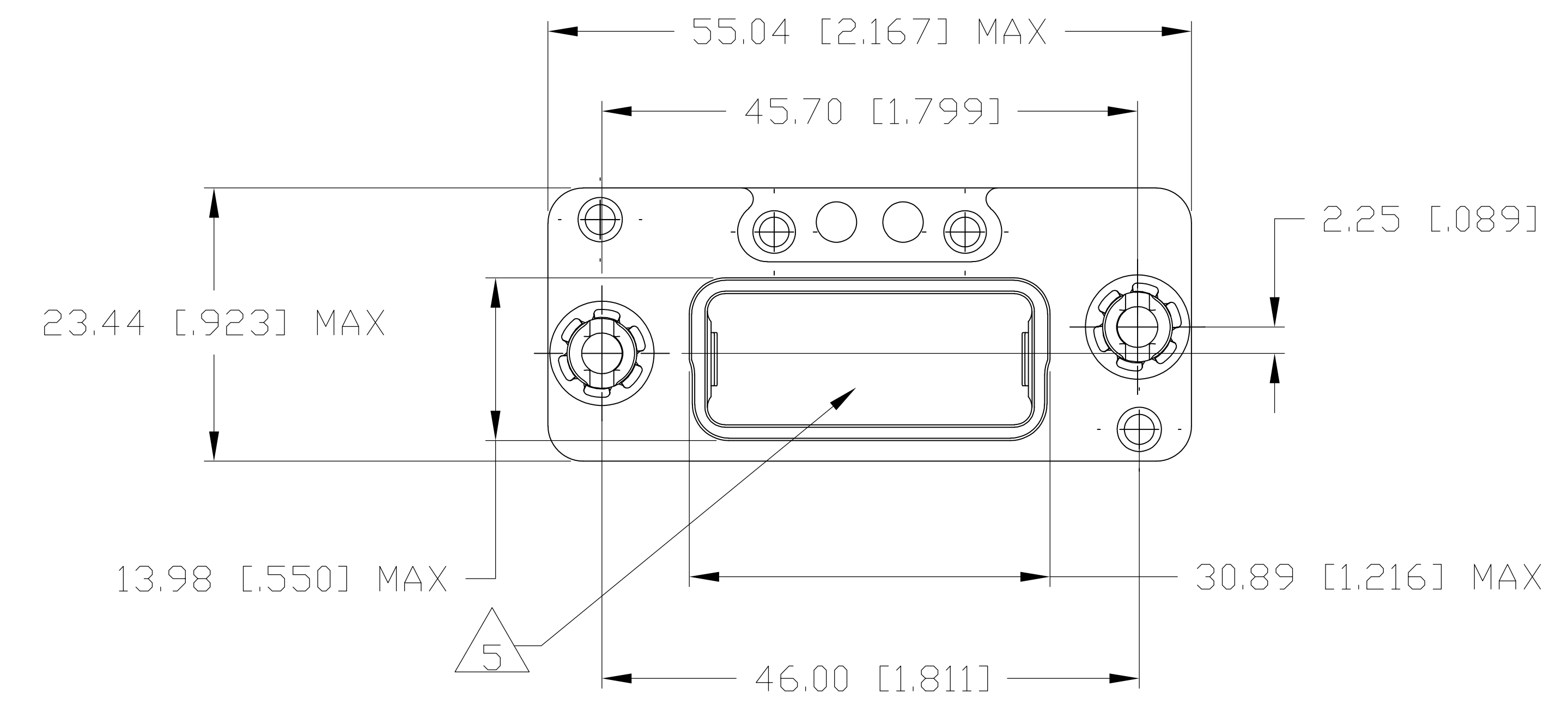


REVISIONS				
REV	DATE	BY	CHKD	APPD
0	03/04	RF	JM	
1	25FEB10	RF	JM	
2	08APR10	RF	JM	

- 1 SHELL: ALUMINUM ALLOY  
QUARTER-TURN FASTENER: COPPER ALLOY PER ASTM B196  
INSERT RETENTION CLIP, CURVED WASHER & FASTENER RETENTION CLIP: COPPER ALLOY PER ASTM B194  
PROTECTIVE COVER: THERMOPLASTIC ELASTOMER
- 2 SHELL: ELECTROLESS NICKEL PER SAE AMS-C-26074, CLASS 1.
- 3 DATE CODE - YEAR & WEEK (YY WW)
- 4. POLARIZATION KEYS, TYCO ELECTRONICS PART NUMBER 1738428-1 (MALE) OR 1738429-1 (FEMALE), AND THE RETENTION PLATE, TYCO ELECTRONICS PART NUMBER 1738440-1, MAY BE PURCHASED SEPARATELY.
- 5 SHELL CAVITY FOR GPRB SERIES INSERTS WITH KEYING CODE A.
- 6. DESCRIPTIVE PART NUMBER: GPRB1PB05N  
SERIES: GPRB  
SHELL SIZE: 1 (SINGLE-CAVITY SHELL)  
SHELL STYLE: P (PLUG)  
MODIFICATION CODE: B (NO MOUNTING HOLES)  
LOCKING DEVICE: 0 (QUARTER-TURN FASTENER)  
POLARIZATION CODE: 5 (POLARIZING HARDWARE PURCHASED SEPARATELY)  
SHELL PLATING: N (NICKEL PLATING)
- 7. THIS PRODUCT IS SOLD BY TYCO ELECTRONICS UNDER A LICENSE FROM RADIALL SA.



THIS PRINT IS  
**PRELIMINARY**  
UNQUALIFIED PRODUCT  
CONTACT PRODUCT ENGINEERING  
BEFORE USING THIS PRINT

1738237-1  
PART NUMBER

THIS DRAWING IS A CONTROLLED DOCUMENT.		DATE	REV	BY	CHKD	APPD	Tyco Electronics Corporation Harrisburg, Pa 17105-3608	
DIMENSIONS: mm (INCHES)		TO CHANGE UNLESS OTHERWISE SPECIFIED:	0. PLG	1. PLG	2. PLG	3. PLG	4. PLG	5. PLG
MATERIAL		FINISH	PRODUCT SPEC		APPLICATION SPEC	WEIGHT	SIZE	SCALE
CUSTOMER DRAWING			PLUG SHELL ASSEMBLY, GPRB1				A000779	1:1
			DRAWING NO. 1738237					SHEET 1 OF 1
			REV 2					

单击下面可查看定价，库存，交付和生命周期等信息

[>>TE Connectivity\(泰科\)](#)