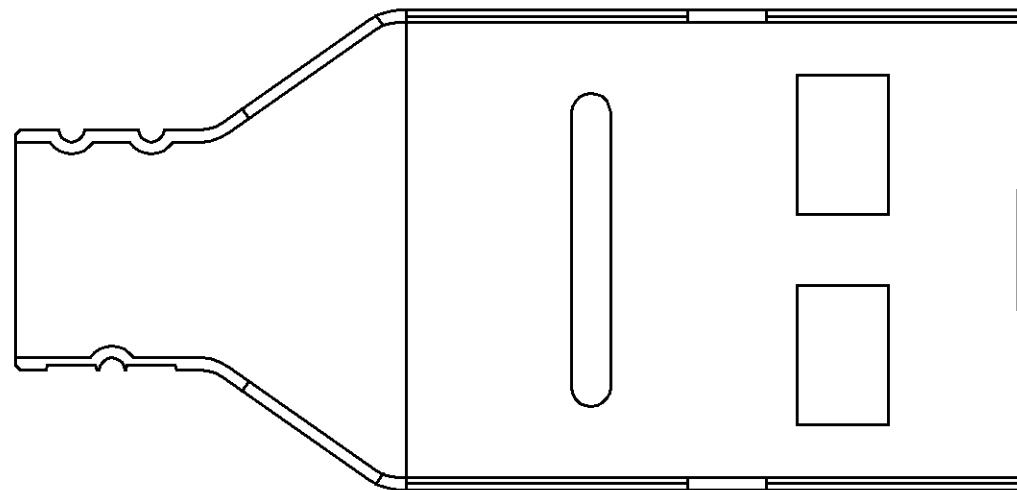


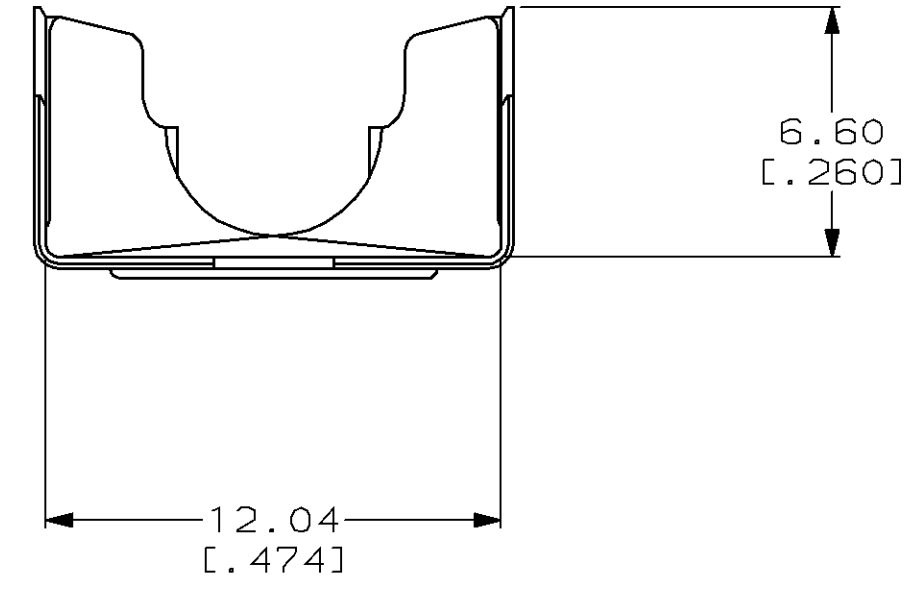
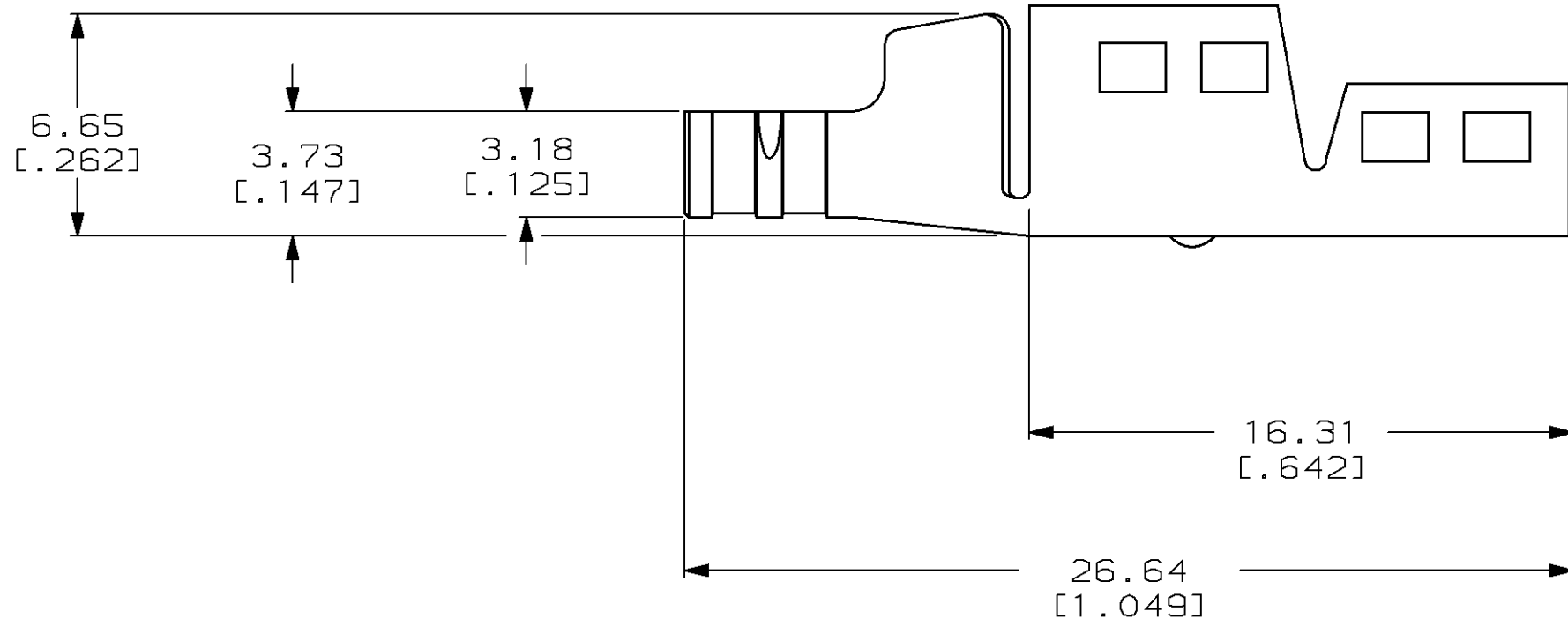
THIS DRAWING IS UNPUBLISHED. RELEASED FOR PUBLICATION ,19 .  
 © COPYRIGHT 19 BY AMP INCORPORATED. ALL INTERNATIONAL RIGHTS RESERVED.

LOC	DIST	P	F	ZONE	LTR	DESCRIPTION	DATE	APPD
BD	50				D	REDWN & REV ECN BD5662 & 5592	11-21-91	-
					E	REV PER EC 0410-251-97	22 SEP 97	JDS



1. THIS PART TO BE USED WITH:  
 PLUG ASSEMBLY 520424-2 (ALL KEY PREFIXES)  
 BOTTOM SHIELD 520463-1

FERRULE	CABLE DIAMETER
520434-1	5.08-4.27 [.200-.168]
520435-1	5.84-4.83 [.230-.197]



520462-1  
 PART NUMBER

DO NOT SCALE PRINT. UNLESS SPECIFIED DIMENSIONS IN mm [INCHES] TOLERANCES ON: 2 PLC DEC ± 0.38 [.015] 3 PLC DEC ± - ANGLES ± -	DR 11-21-91 C.OBERMAN	AMP Incorporated Harrisburg, PA 17105-3608		
MATERIAL  0.320 [.0126] CARBON STEEL	CHK - APPD - APPD - PRODUCT SPEC -			NAME  SHELL, TOP HALF, 6 POSITION, SDL
FINISH 3.81 μm [.000150] MIN TIN OVER 2.54 μm [.000100] MIN COPPER	APPLICATION SPEC - WEIGHT -	SIZE C	CAGE CODE 00779	DRAWING NO 520462
		SCALE 5:1	SHEET 1 OF 1	

单击下面可查看定价，库存，交付和生命周期等信息

[>>TE Connectivity\(泰科\)](#)