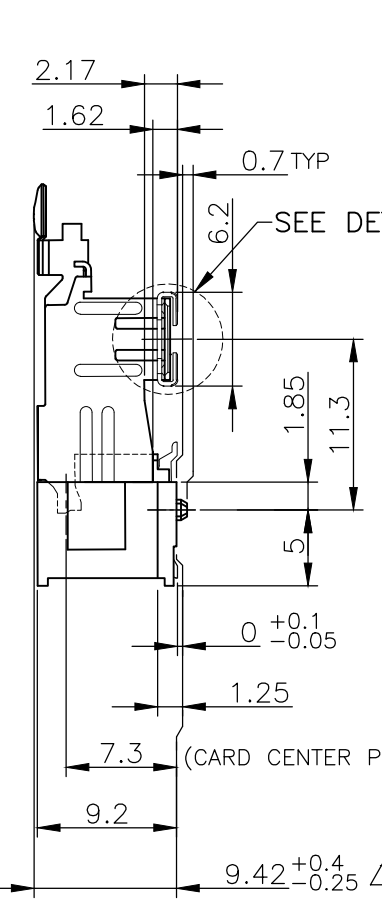
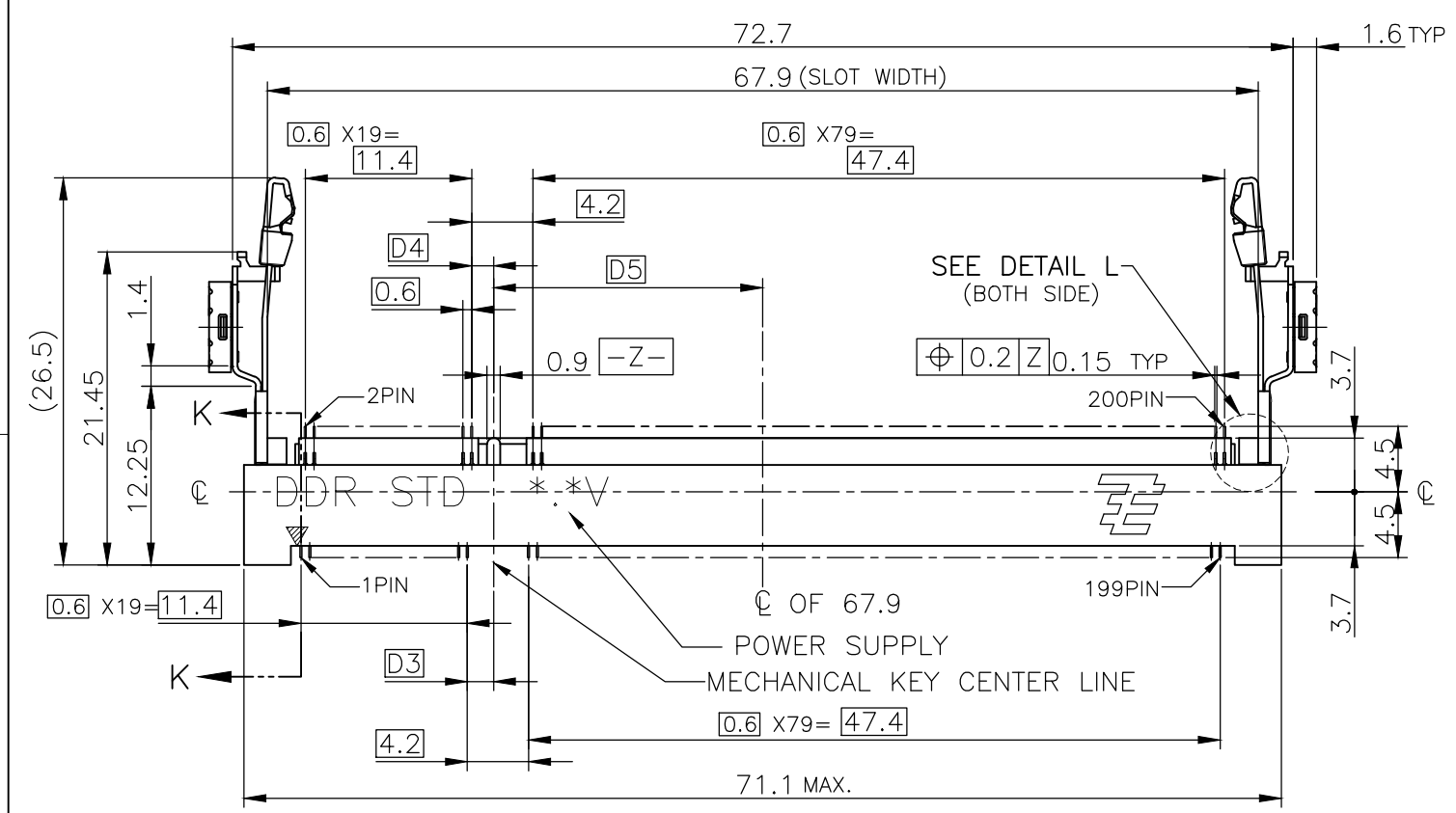
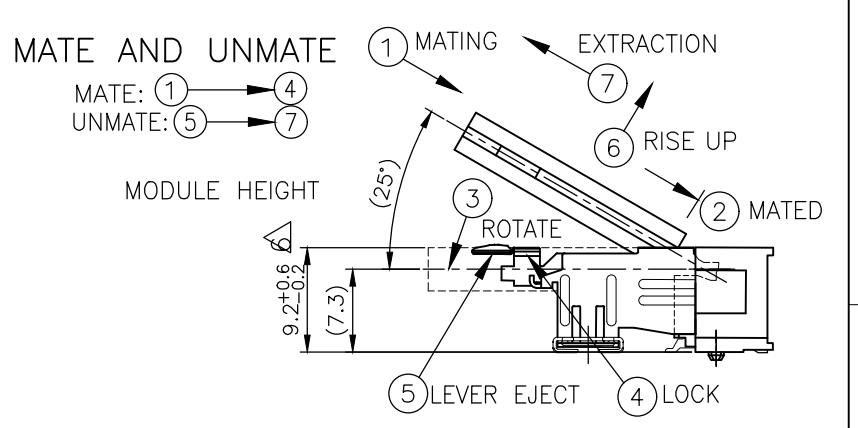
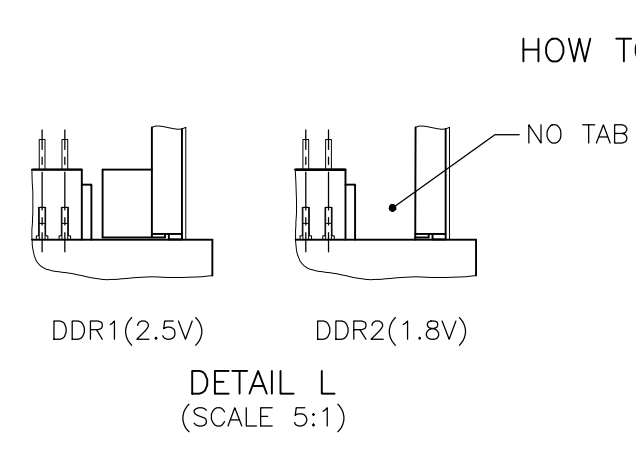
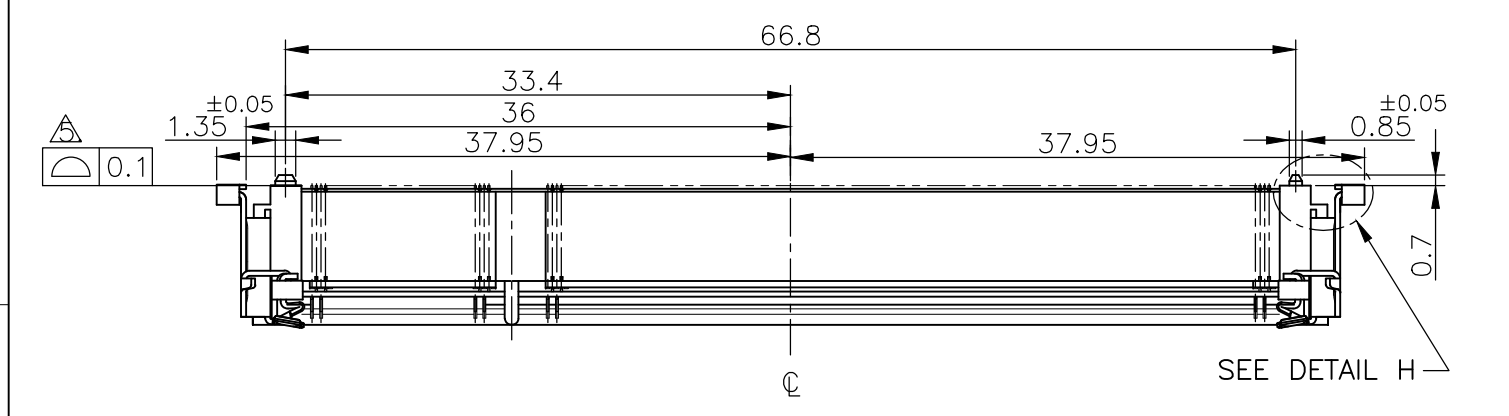
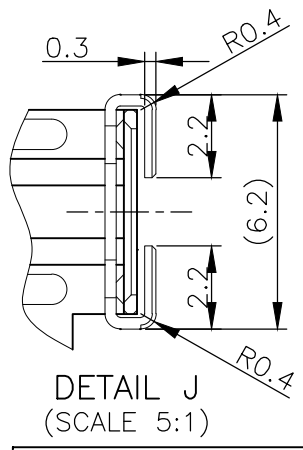
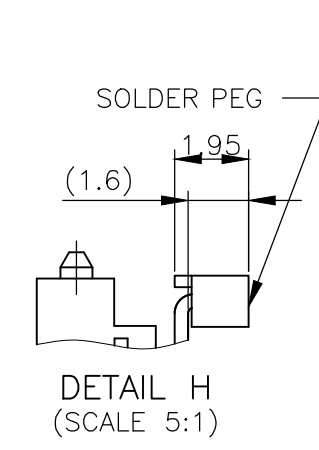
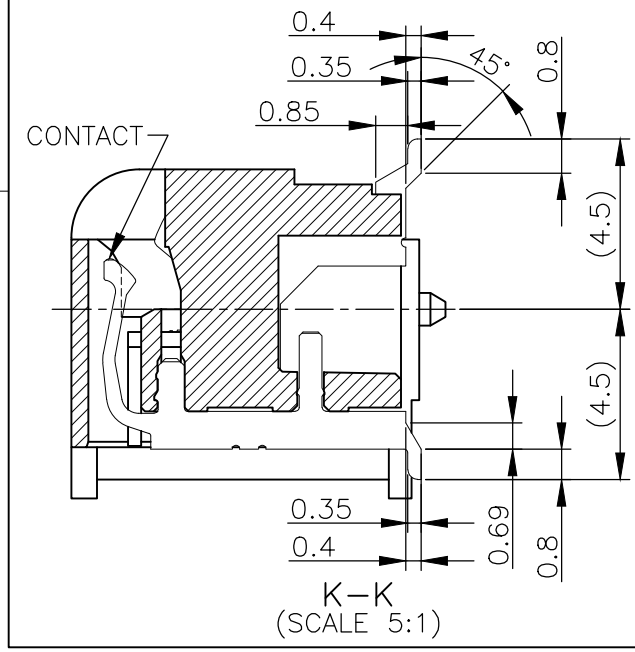


THIS DRAWING IS UNPUBLISHED. RELEASED FOR PUBLICATION  
 © COPYRIGHT - By - ALL RIGHTS RESERVED.

REVISIONS					
P	LTR	DESCRIPTION	DATE	DWN	APVD
E4	REVISED		18SEP17	DZ	SL



- (APPLIED TO SHEET 1-2)
- MATERIAL ; HOUSING: HIGH TEMPERATURE THERMO PLASTIC UL94V-0  
 CONTACT: COPPER ARROY  
 LOCK LEVER: STAINLESS STEEL  
 SOLDER PEG: COPPER ARROY
  - FINISH ; CONTACT AREA: GOLD FLASH  
 ON 0.0013MIN ALL OVER NICKEL.  
 SOLDERING AREA: GOLD FLASH PLT.  
 SOLDER PEG: TIN PLATING.
- MECHANICAL KEY POSITION OF CONNECTOR SEE TABLE.
  - TOLERANCES NON-CUMULATIVE.
  - COPLANARITY : 0.1 MAX.
  - THE FLOATING VALUE BY SOLDERING IS NOT INCLUDED.
  - NOT MATING CONDITION.
- IF THE MODULE DOESN'T INSERT AND LOCK IN THE LATCH SMOOTHLY, OPEN WIDE BOTH LATCHES BY MANUAL. AND THE MODULE MUST BE INSERTED AND LOCKED IN THE LATCH.
  - THE SHAPE OF HOUSING AT KEY AREA IS FREE BASICALLY TO IMPROVE HOUSING WARPAGE

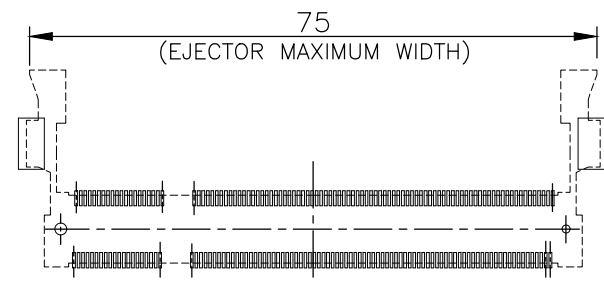


GENERAL TOLERANCE  
 10 ≥ : ±0.2  
 30 ≥ > 10: ±0.25  
 100 ≥ > 30: ±0.3  
 ANGLES: ±3°

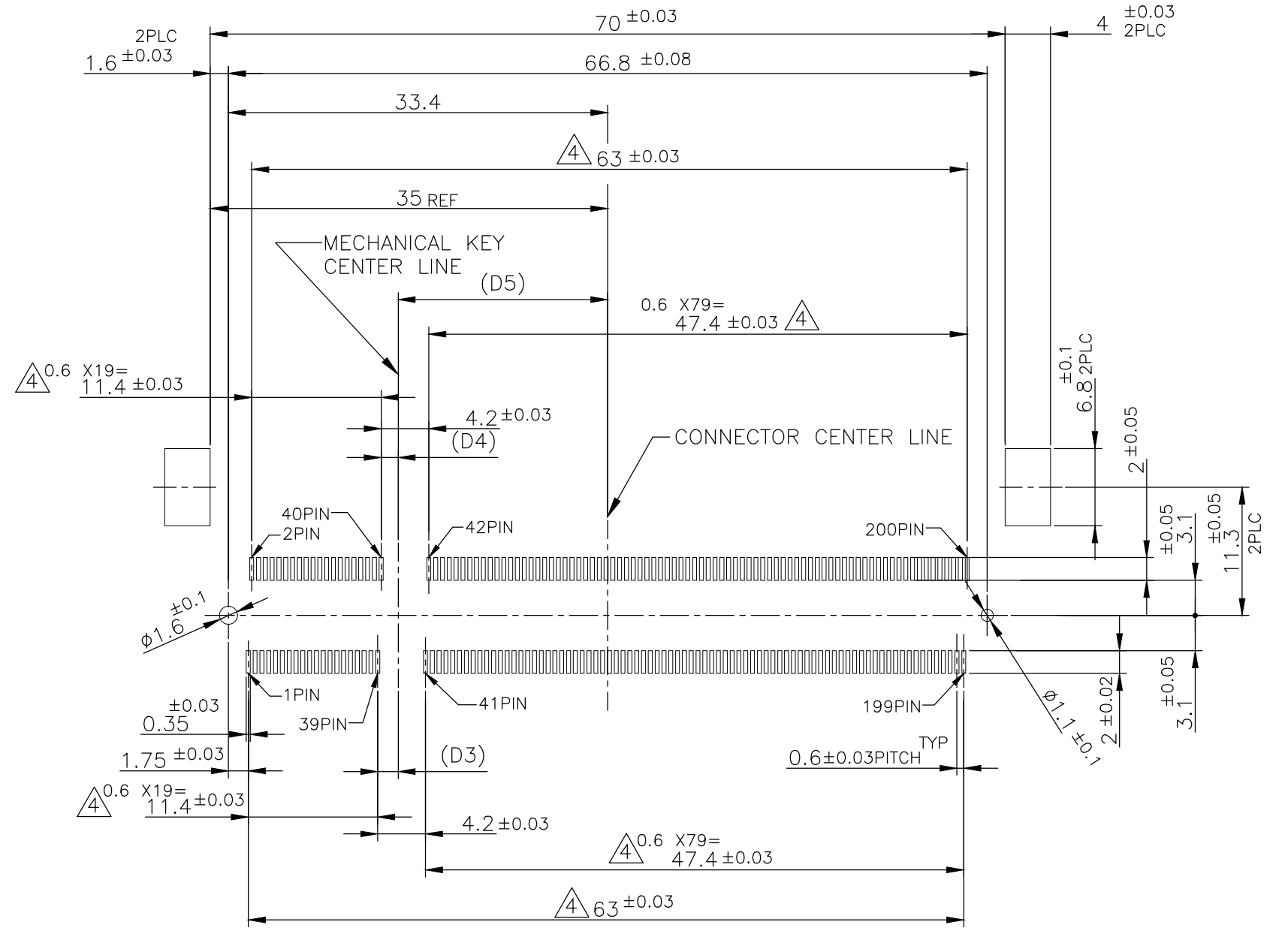
TAPE&REEL	AVAILABLE	2.5V (DDR1)	18.45	1.5	1.8	200	2-1612618-1
TRAY	AVAILABLE	1.8V (DDR2)	17.55	2.4	2.7	200	1612618-4
TRAY	AVAILABLE	2.5V (DDR1)	18.45	1.5	1.8	200	1612618-1
PACKING TYPE	TOOLING STATUS	POWER SUPPLY (TYPE)	D5	D4	D3	POS	PART NO.
THIS DRAWING IS A CONTROLLED DOCUMENT.			DWN J.TANIGAWA 210CT02		TE Connectivity DDR1 & DDR2 SODIMM SOCKET 0.6mm PITCH 200POS		
DIMENSIONS: MM			CHK H.KODAMA 210CT02				
TOLERANCES UNLESS OTHERWISE SPECIFIED:			APVD I.ENOMOTO 210CT02				
0 PLC ± - 1 PLC ± - 2 PLC ± - 3 PLC ± - 4 PLC ± - ANGLES ± FINISH ±			NAME				
MATERIAL			PRODUCT SPEC		SIZE		
WEIGHT			APPLICATION SPEC		CAGE CODE		
CUSTOMER DRAWING			RESTRICTED TO		DRAWING NO		
SCALE 2:1			SHEET 1 OF 5		REV E4		

THIS DRAWING IS UNPUBLISHED. RELEASED FOR PUBLICATION  
 © COPYRIGHT - By - ALL RIGHTS RESERVED.

REVISIONS					
P	LTR	DESCRIPTION	DATE	DWN	APVD
-	-	SEE SHEET 1	-	-	-



REAL SIZE (SCALE 1:1)

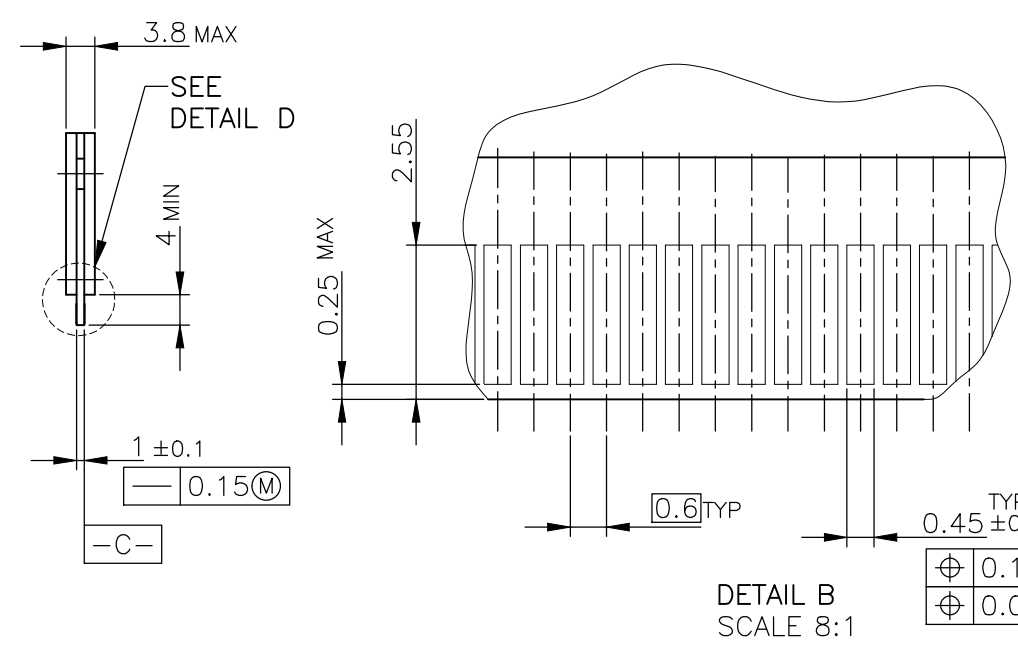
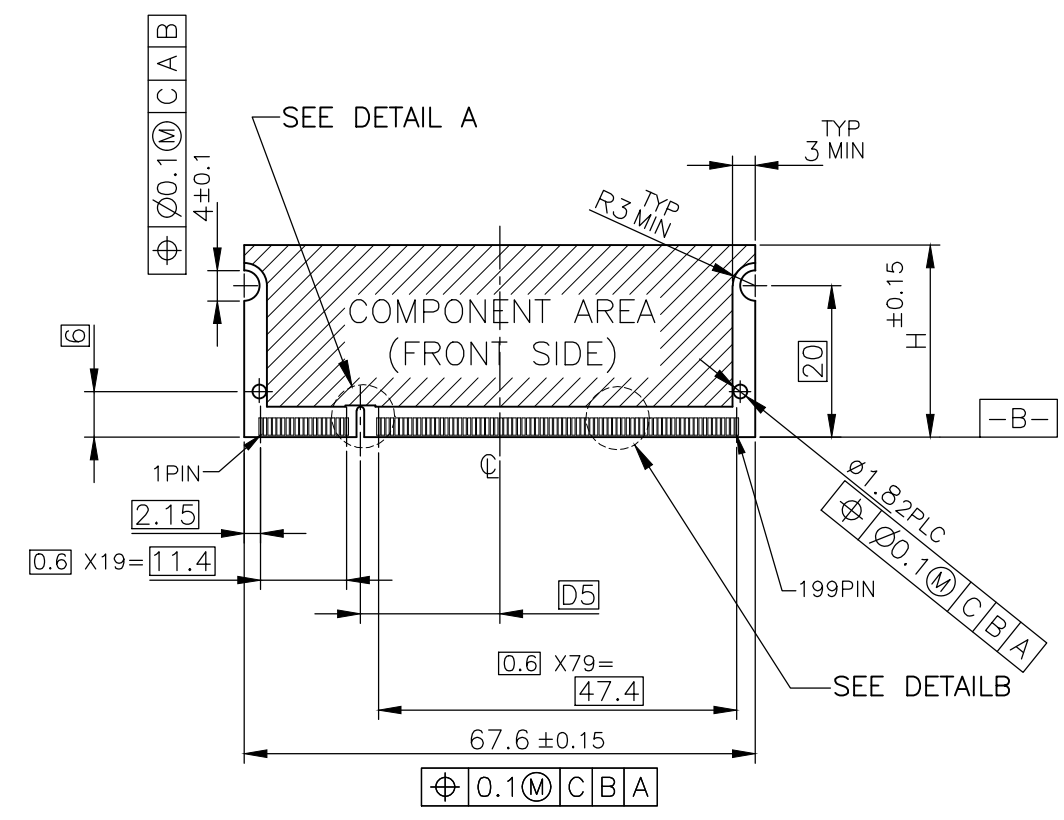


REFERENCE P.C. BOARD PATTERN LAYOUT FOR DUAL USE  
(CONNECTOR MOUNTING SIDE)

THIS DRAWING IS A CONTROLLED DOCUMENT.		DWN		TE Connectivity	
DIMENSIONS: MM		CHK			
TOLERANCES UNLESS OTHERWISE SPECIFIED:		APVD		NAME	
0 PLC ± - 1 PLC ± - 2 PLC ± 3 PLC ± 4 PLC ± - ANGLES ± FINISH -		PRODUCT SPEC		DDR1 & DDR2 SODIMM SOCKET 0.6mm PITCH 200POS	
MATERIAL		APPLICATION SPEC		RESTRICTED TO	
		WEIGHT		SIZE	CAGE CODE
		CUSTOMER DRAWING		A3	00779
		SCALE		DRAWING NO	REV
		NTS		C-1612618	E4
		SHEET		2 OF 5	

THIS DRAWING IS UNPUBLISHED. RELEASED FOR PUBLICATION  
 © COPYRIGHT - By - ALL RIGHTS RESERVED.

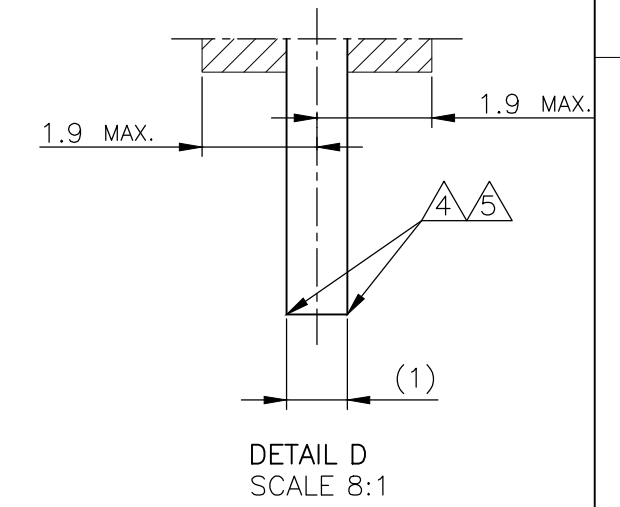
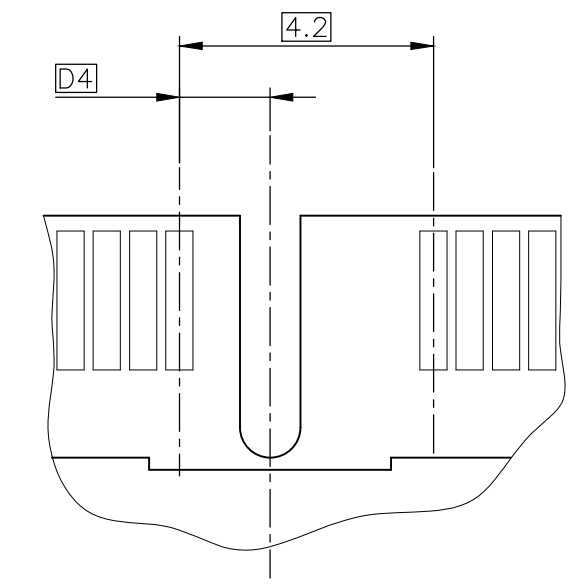
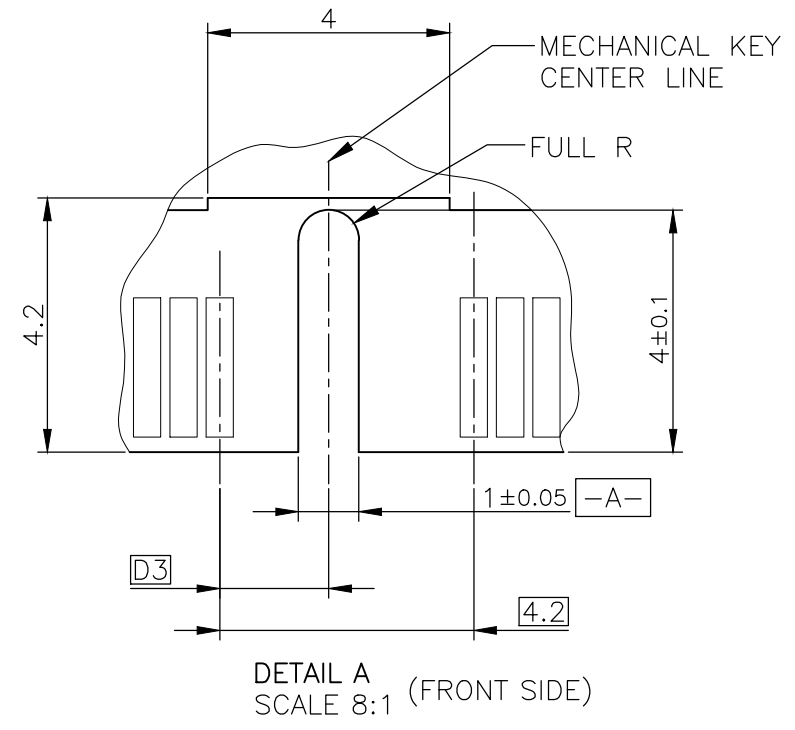
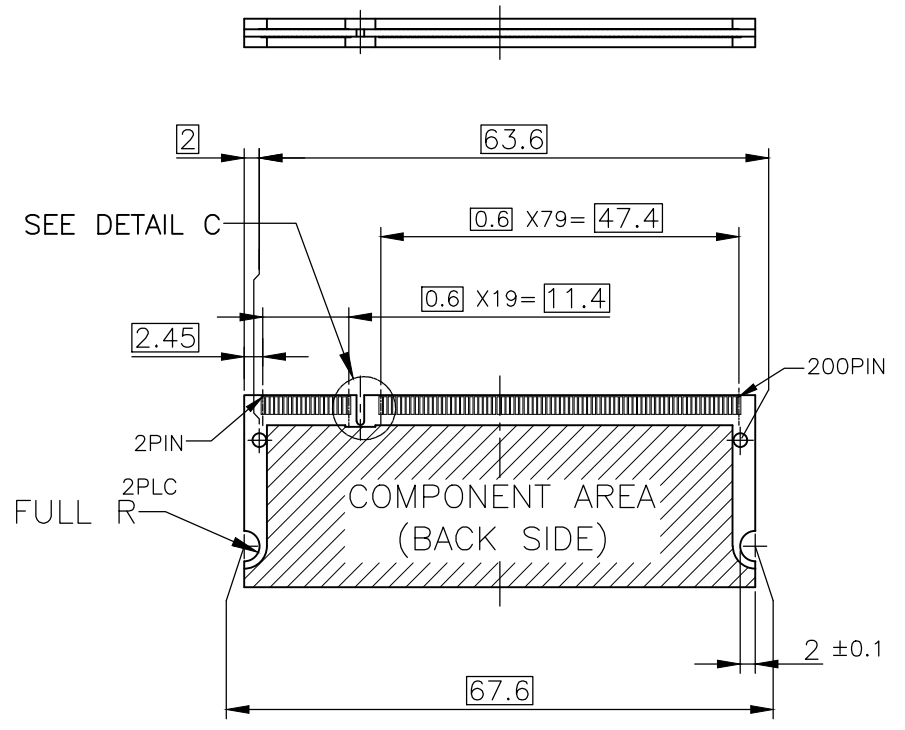
REVISIONS				
P	LTR	DESCRIPTION	DATE	APVD
-	-	SEE SHEET 1	-	-



(APPLIED TO SHEET 3)

- 1 TOLERANCES ON ALL DIMENSIONS ±0.15 UNLESS OTHERWISE SPECIFIED.
- 2 P.C. BOARD THICKNESS APPLIES ACROSS TABS AND INCLUDES PLATING AND/OR METALIZATION.
- 3 FINISH OF PAD : GOLD PLATING 0.00076 MIN. OVER Ni PLATING 0.002MIN.

△ NO BURR.  
 △ CHAMFER 0.25 MAX x 45° IF EXIST.



推奨基板仕様  
 RECOMMENDED MATING P.C.B CONFIGURATION

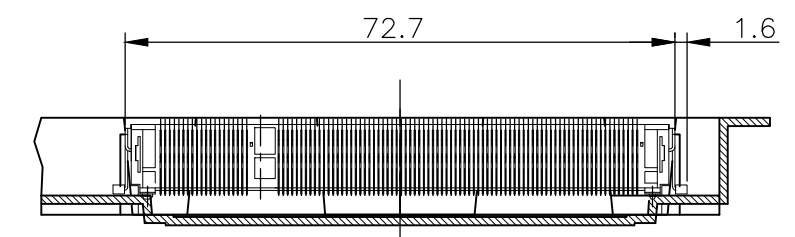
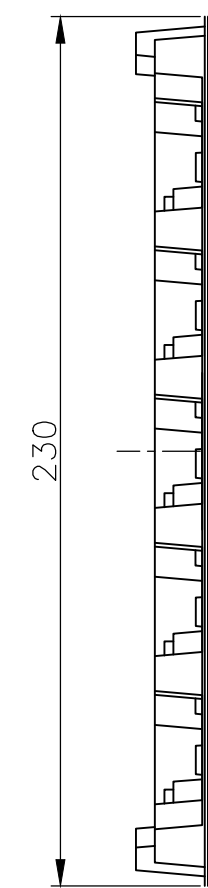
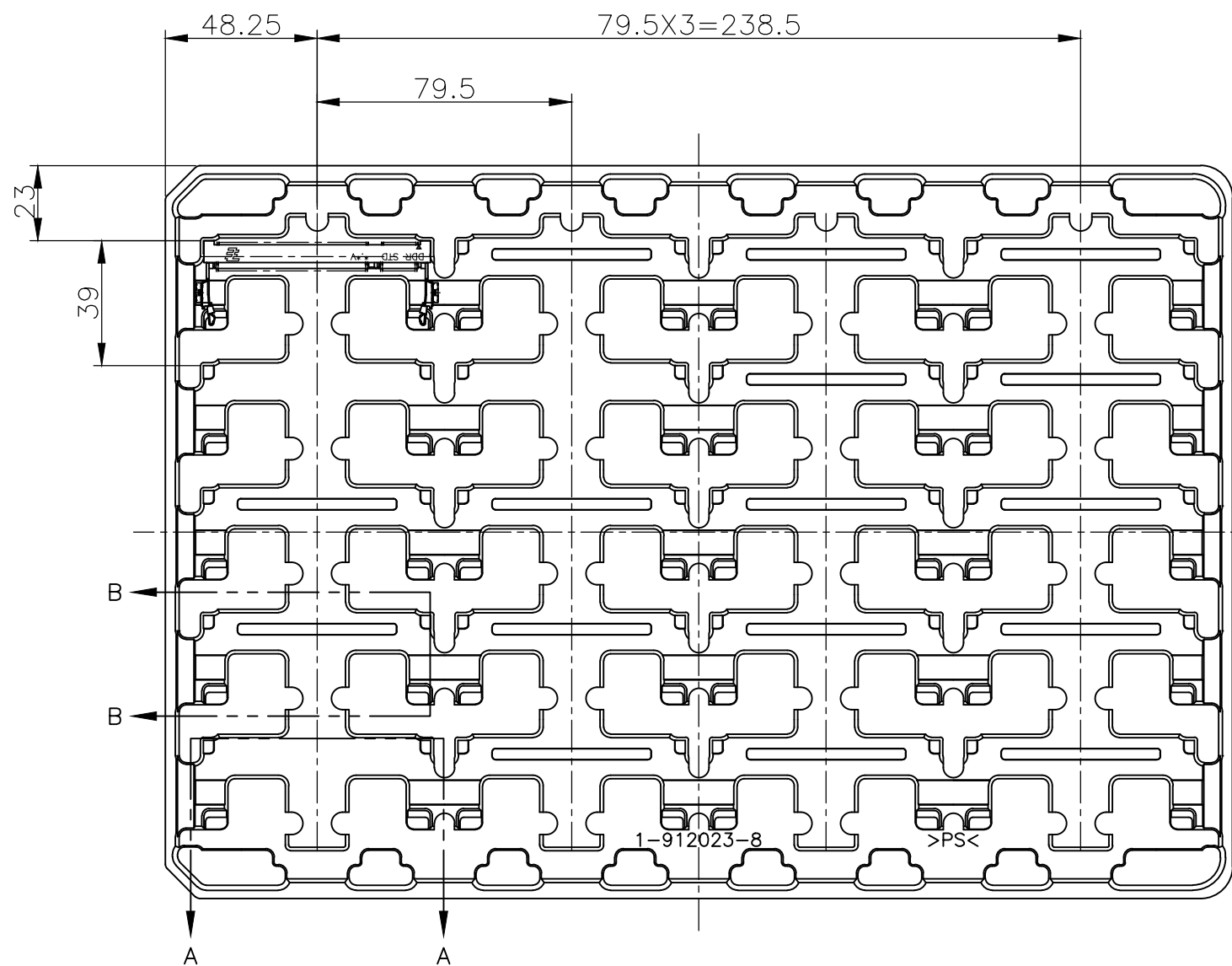
THIS DRAWING IS A CONTROLLED DOCUMENT.		DWN
DIMENSIONS: MM		CHK
TOLERANCES UNLESS OTHERWISE SPECIFIED.		APVD
0 PLC ± -		PRODUCT SPEC
1 PLC ± -		APPLICATION SPEC
2 PLC ±		WEIGHT
3 PLC ±		
4 PLC ± -		
ANGLES ±		
FINISH		

31.75	1.8V	17.55	2.4	2.7
25.4	2.5V	18.45	1.5	1.8
H	POWER SUPPLY	D5	D4	D3

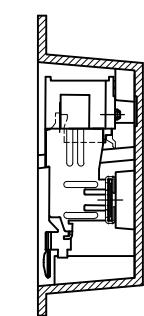
<b>STE</b> TE Connectivity				
NAME DDR1 & DDR2 SODIMM SOCKET 0.6mm PITCH 200POS				
SIZE	CAGE CODE	DRAWING NO	RESTRICTED TO	
A3	00779	C-1612618		
CUSTOMER DRAWING		SCALE	SHEET	REV
		NTS	3 OF 5	E4

THIS DRAWING IS UNPUBLISHED. RELEASED FOR PUBLICATION  
 © COPYRIGHT - By - ALL RIGHTS RESERVED.

REVISIONS					
P	LTR	DESCRIPTION	DATE	DWN	APVD
-	-	SEE SHEET 1	-	-	-

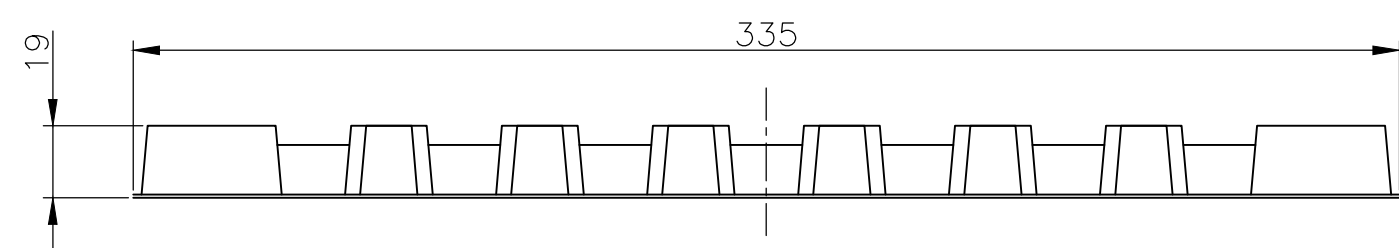


A-A  
SCALE 1:1  
(180DEG. ROTATE)



B-B  
SCALE 1:1

1. THE DIRECTION OF EACH CONNECTOR ON A TRAY IS REFERRED TO THIS DRAWING.
2. GENERAL TOLERANCE: ±0.5

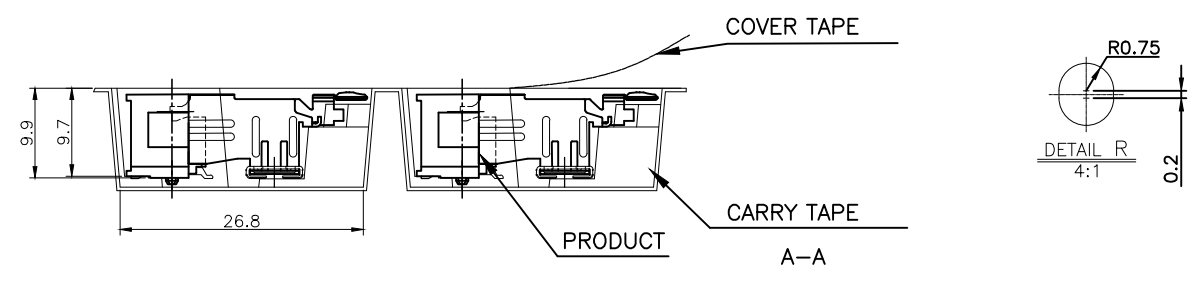
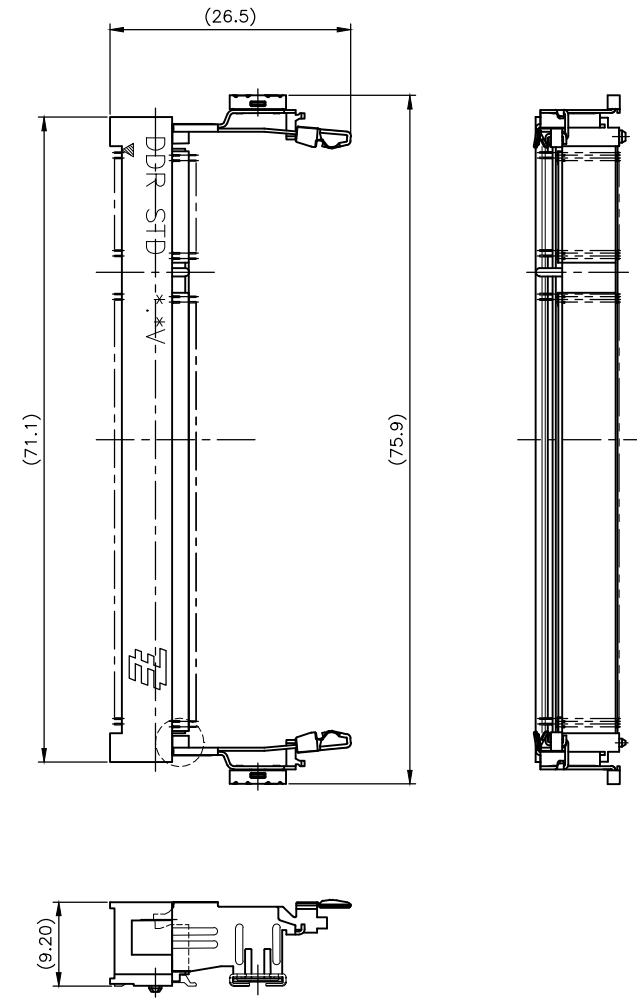
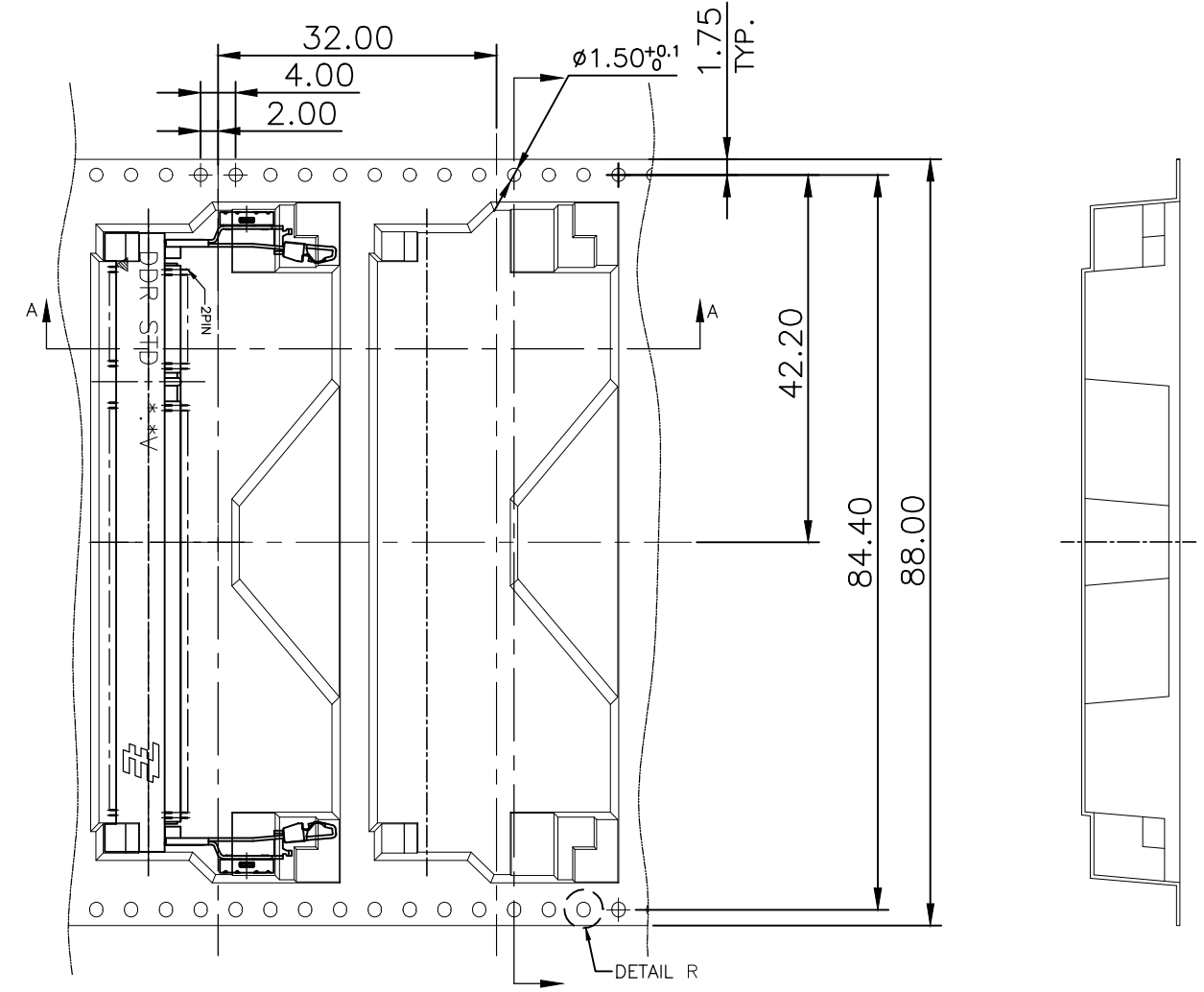


20EA/TRAY	1612618-4
20EA/TRAY	1612618-1
QTY	P/N

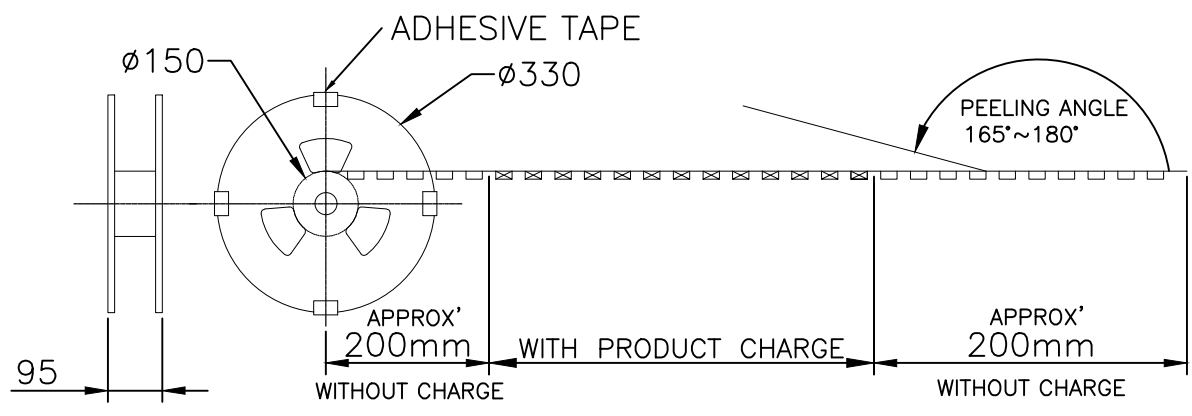
THIS DRAWING IS A CONTROLLED DOCUMENT.		DWN		TE Connectivity NAME DDR1 & DDR2 SODIMM SOCKET 0.6mm PITCH 200POS	
DIMENSIONS: MM		CHK			
		APVD			
TOLERANCES UNLESS OTHERWISE SPECIFIED:		PRODUCT SPEC		SIZE	
0 PLC ± -		-		CAGE CODE	
1 PLC ± -		-		DRAWING NO	
2 PLC ± 0.5		-		RESTRICTED TO	
3 PLC ± 0.5		-		A3 00779 C-1612618	
4 PLC ± -		-		SCALE 1:2	
ANGLES ± 3°		-		SHEET 4 OF 5	
FINISH		WEIGHT		REV E4	
MATERIAL		CUSTOMER DRAWING			

THIS DRAWING IS UNPUBLISHED. RELEASED FOR PUBLICATION  
 © COPYRIGHT - By - ALL RIGHTS RESERVED.

REVISIONS				
P	LTR	DESCRIPTION	DATE	APVD
-	-	SEE SHEET 1	-	-



PULL OUT DIRECTION



1. THE DIRECTION OF EACH CONNECTOR ON THE EMBOSS IS REFERENCED TO THIS DRAWING.
2. GENERAL TOLERANCE:  $\pm 0.5$ ,  $\pm 3^\circ$ .

120	2	240	2-1612618-1
PCS/REEL	REEL/CARTON	PCS/CARTON	PART NUMBER

THIS DRAWING IS A CONTROLLED DOCUMENT.		DWN		TE Connectivity	
DIMENSIONS: MM		CHK			
TOLERANCES UNLESS OTHERWISE SPECIFIED:		APVD		NAME	
0 PLC $\pm -$		PRODUCT SPEC		DDR1 & DDR2 SODIMM SOCKET	
1 PLC $\pm -$		APPLICATION SPEC		0.6mm PITCH 200POS	
2 PLC $\pm 0.5$		WEIGHT		SIZE	
3 PLC $\pm 0.5$		CUSTOMER DRAWING		CAGE CODE	
4 PLC $\pm -$		SCALE 1:2		DRAWING NO	
ANGLES $\pm 3^\circ$		SHEET 5 OF 5		RESTRICTED TO	
FINISH		REV E4		A3 00779 C-1612618	

单击下面可查看定价，库存，交付和生命周期等信息

[>>TE Connectivity\(泰科\)](#)