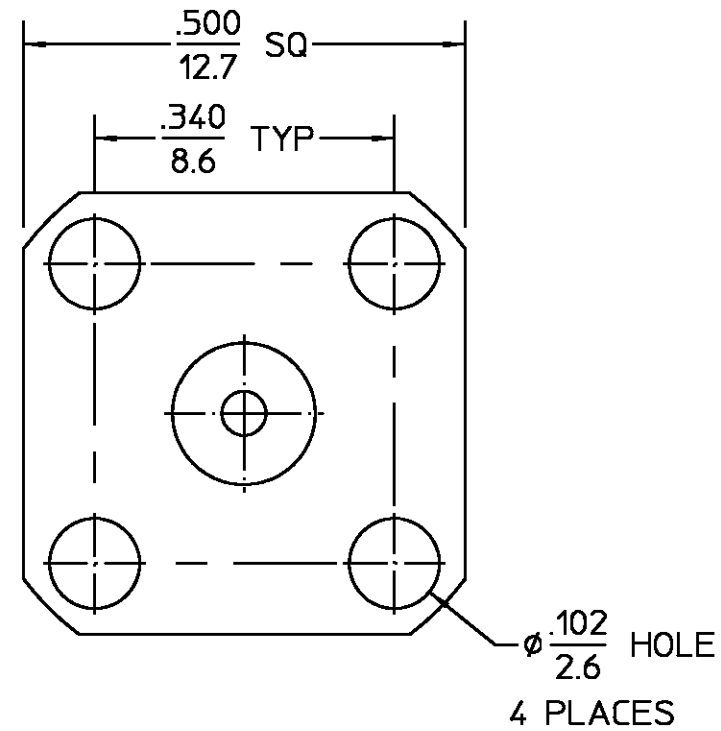


REVISIONS			
REV	DESCRIPTION	DATE	APPROVED
01 0	RELEASED	6/11/98	TWag



ELECTRICAL	MECHANICAL	ENVIRONMENTAL	COMPONENT	MATERIAL	FINISH
Nominal Impedance (Ohms) <u>50</u>	Interface Dimensions MIL-STD-348A, Fig. <u>310-2</u>	Temperature Rating <u>-65°C To +125°C</u>	HOUSING	STAINLESS STEEL PER ASTM-A484 AND ASTM-A582, TYPE 303	PASSIVATE PER QQ-P-35
Frequency Range (GHz) DC to <u>18</u>	Recommended Mating Torque <u>7-10 In-Lbs</u>	Vibration MIL-STD-202, Method 204, Condition D	DIELECTRIC	PTFE FLUOROCARBON PER ASTM-D-1457	N/A
Volt Rating (VRMS MAX) @ Sea Level <u>335</u>	Mating Characteristics: Insertion (MAX Lbs) <u>3.0</u>	Shock MIL-STD-202, Method 213, Condition I	CENTER CONTACT	BERYLLIUM COPPER PER ASTM-B-196 OR ASTM-B-197, ALLOY C17300, CONDITION H	GOLD PLATE PER MIL-G-45204
VSWR <u>1.02 + .005f GHz</u>	Withdrawal (MIN Oz) <u>1.0</u>	Thermal Shock MIL-STD-202, Method 107, Condition B,			
Insertion Loss (dB MAX) <u>.06 √f GHz</u>	Force to Engage and Disengage (In/Lbs MAX) <u>2</u>	Moisture Resistance MIL-STD-202, Method 106, Except Vibration			
RF Leakage (dB MIN) <u>-90 @ 2-3 GHz</u>	Center Contact Captivation Axial (Lbs) <u>6.0</u>	Shall Be Omitted			
Corona, 70,000 Ft (VRMS MIN) <u>250</u>	Radial (In/Oz) <u>4.0</u>	Corrosion - MIL-STD-202, Method 101, Condition B, 5% salt spray			
Dielectric Withstanding Voltage (VRMS MIN) @ Sea Level <u>1000</u>	Weight (Grams) <u>TBD</u>				
Contact Resistance (Milliohms MAX) Center Contact <u>2.0</u>					
Outer Contact <u>2.0</u>					
Cable to Housing <u>N/A</u>					
RF High Potential @ Sea Level (VRMS MIN @ 5 MHz) <u>670</u>					
LR.(Megohms MIN) <u>5,000</u>					
			UNLESS OTHERWISE SPECIFIED DIMENSIONS ARE IN INCHES TOLERANCE ON	DRAWN BY TIM WAGNER DATE 6/11/98	
			FRAC. DEC. ANGLES ± 1/64 ±.005 ± °	CHECKED BY	
				APPD BY TWag 6/11/1998	
			These drawings and specifications are the property of M/A-COM Incorporated and shall not be reproduced or copied or used in whole or in part as the basis for the manufacture or sale of item(s) without written permission.	AMP Incorporated 140 Fourth Avenue Waltham, MA 02451-7599	
			USE ASS'Y PROCEDURE	TITLE OSM FLANGE MOUNT JACK RECEPTACLE STRAIGHT TERMINAL	
			NO. AP. <u>N/A</u>	SIZE B	CODE IDENT NO. 26805
				SCALE 5:1	2052-3607-02
					REV 01 0
					SHEET 1 OF 1

.XXX = in
XX.X = mm (REF)

CUSTOMER DRAWING

AMP PART # 1255031-1
SHEET 1 OF 1 REV A

单击下面可查看定价，库存，交付和生命周期等信息

[>>TE Connectivity\(泰科\)](#)