

THIS DRAWING IS UNPUBLISHED.

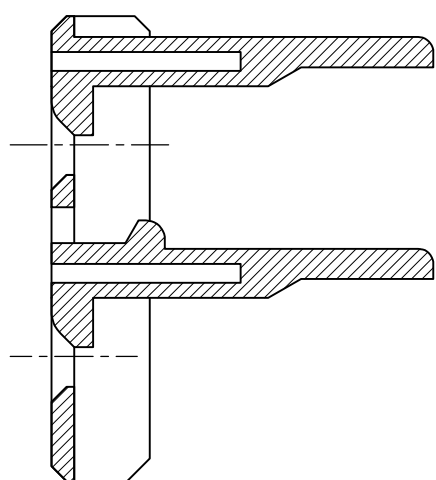
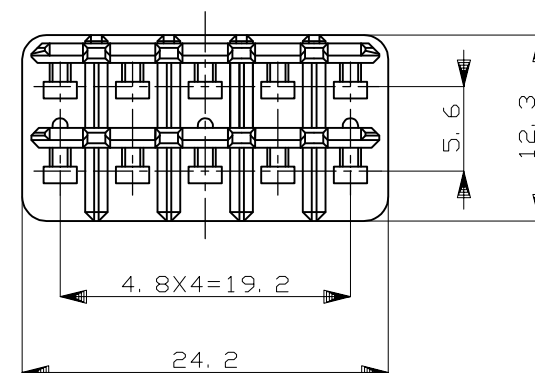
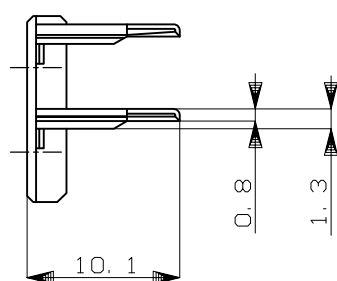
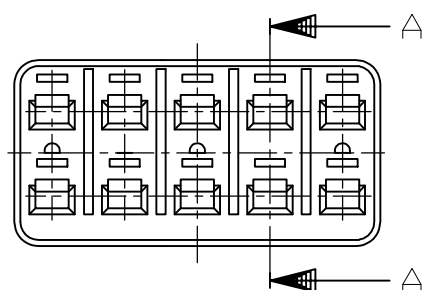
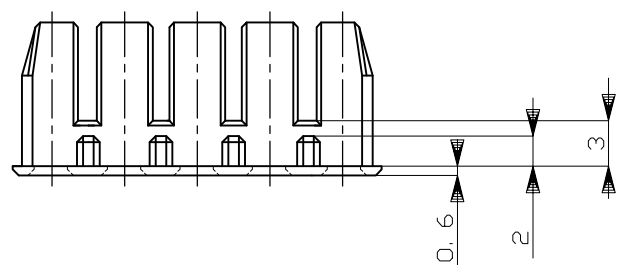
RELEASED FOR PUBLICATION

ALL RIGHTS RESERVED.

© COPYRIGHT - By -

REVISIONS

P	LTR	DESCRIPTION	DATE	DWN	APVD
	B2	REVISED	ECR-18-009736	22JUN2018	TS HY




SECTION
断面 A-A
(尺度 5:1)

1. 本品は、プラグハウジング型番 174655及び 2822395に装着される

1. TO BE MATED WITH PLUG HOUSING PART NUMBER 174655 AND 2822395

HB	自然色 (NATURAL)	1-174656-1
V-2	黄 (YELLOW)	174656-7
使用材料難燃グレード (FLAMMABILITY OF MATERIAL)	色 (COLOR)	型番 (PART NUMBER)

THIS DRAWING IS A CONTROLLED DOCUMENT.		DWN K.ODA 7/7'87	 TE Connectivity Ltd.				
DIMENSIONS: mm		CHK Y.MATSUSAKA 7/9'87					
TOLERANCES UNLESS OTHERWISE SPECIFIED:		APVD M.NOGUCHI 11/4'88	NAME 10P. ECONOSEAL J-MARKII+ CONNECTOR DOUBLE LOCK PLATE FOR PLUG HOUSING				
0 PLC ± - 1 PLC ± - 2 PLC ± - 3 PLC ± - 4 PLC ± - ANGLES ± -		PRODUCT SPEC 108-5262	SIZE	CAGE CODE	DRAWING NO	RESTRICTED TO	
MATERIAL PBT		FINISH -	WEIGHT 0.8 g	A3174656	C-174656	-	
GENERAL TOLERANCE 0 < * ≤ 10 : ±0.2 10 < * ≤ 30 : ±0.25 30 < * ≤ 100 : ±0.3 ANGLES : ±3°			CUSTOMER DRAWING		SCALE 5:1	SHEET 1 OF 1	REV B2

单击下面可查看定价，库存，交付和生命周期等信息

[>>TE Connectivity\(泰科\)](#)