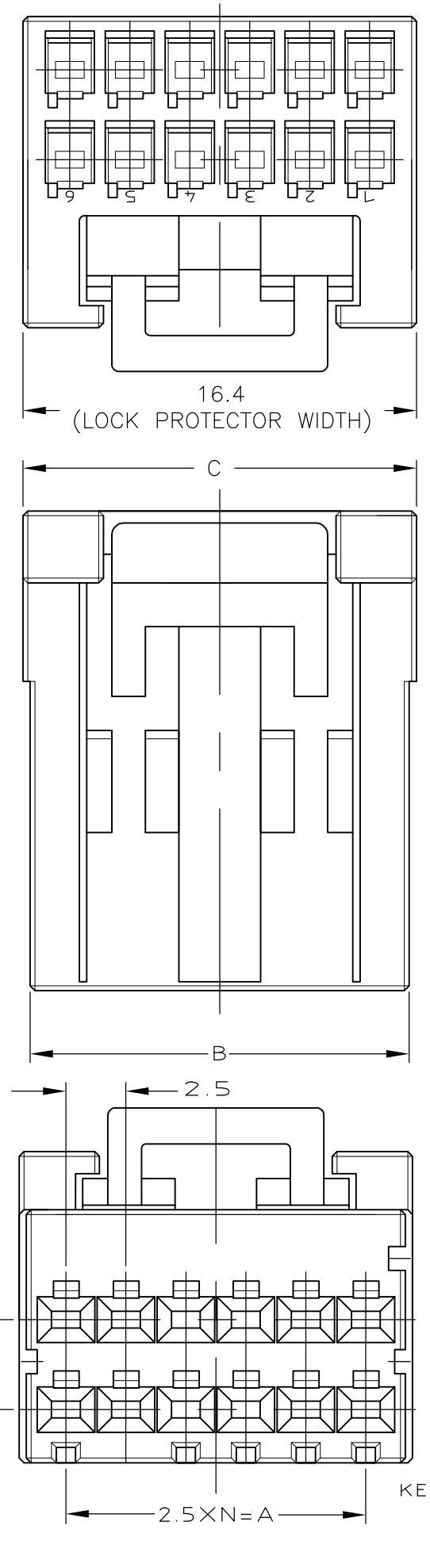


THIS DRAWING IS UNPUBLISHED. RELEASED FOR PUBLICATION
 © COPYRIGHT - By Tyco Electronics Japan G.K. ALL RIGHTS RESERVED.

LOC	DIST	REVISIONS				
P	LTR	DESCRIPTION	DATE	DWN	APVD	
J	-	H	REVISED	17APR2015	H.O	N.Y

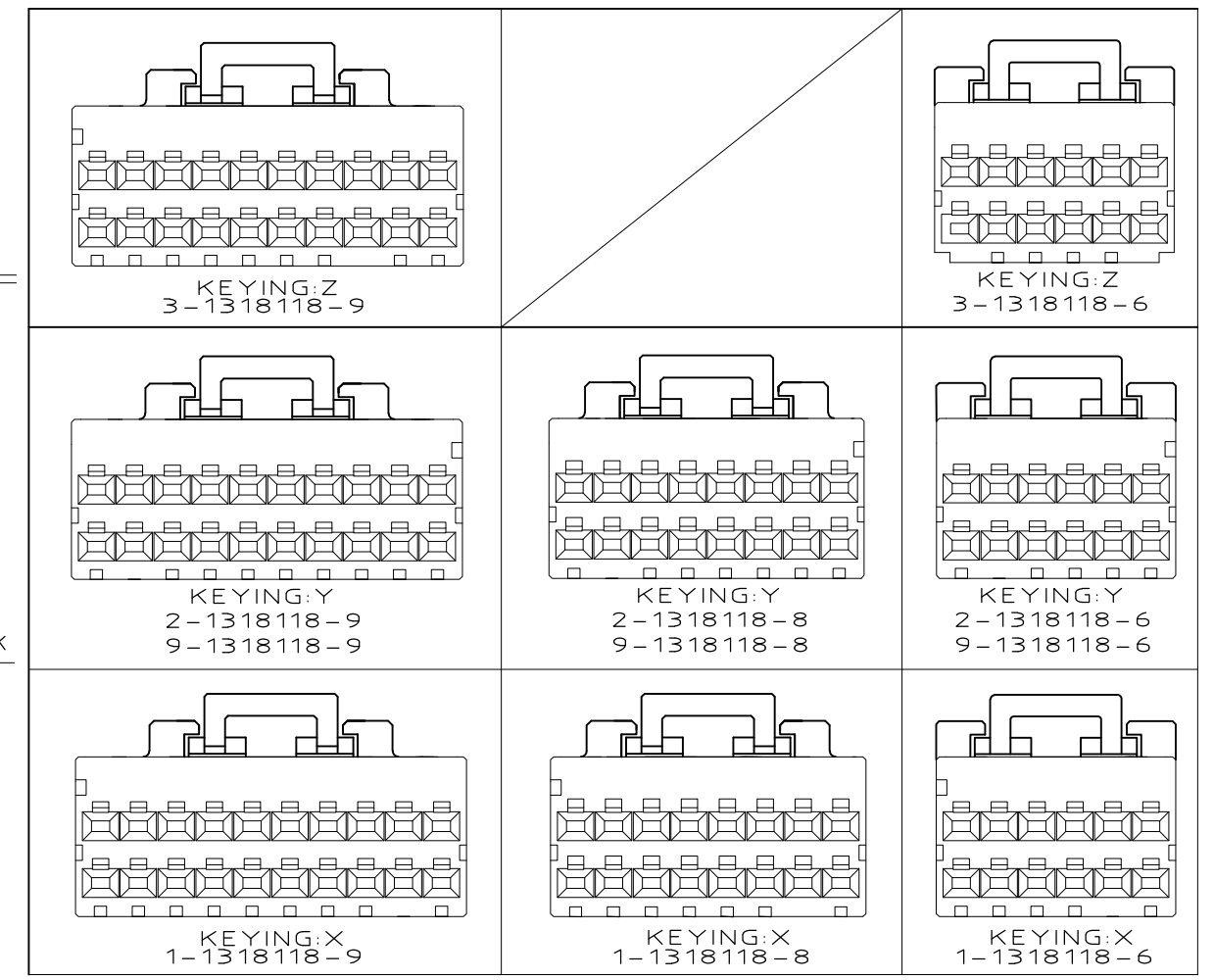
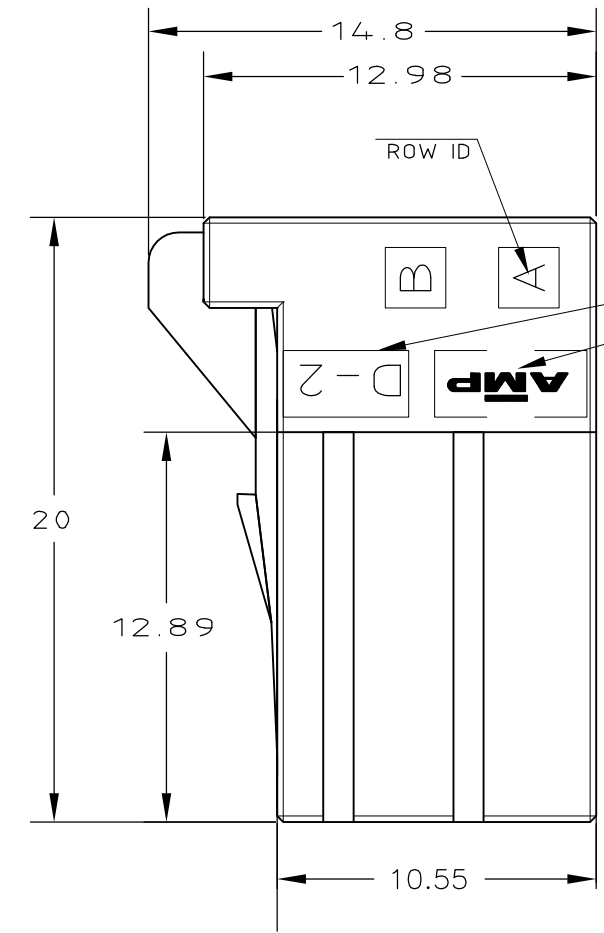


NOTES

1 MATERIAL: HOUSING: GLASS FILED THERMO PLASTIC, POLYESTER (94V-0), COLOR: 1- / 2- / 3- : BLACK ; 9- : NATURAL

2 TO COAT ALL SURFACE OF HOUSING WITH TEFLON

3. APPEARANCE CRITERIA IS BASED ON TE CRITERIA.



FINISH	NET WEIGHT(g)	C	B	A	N	POS	PART NUMBER
-	5.58	26.4	25.8	22.5	9	20	3-1318118-9
OBSOLETE	5.58	26.4	25.8	22.5	9	20	5-1318118-9
-	5.58	26.4	25.8	22.5	9	20	9-1318118-9 2-1318118-9
-	5.58	26.4	25.8	22.5	9	20	1-1318118-9
-	4.69	21.4	20.8	17.5	7	16	9-1318118-8 2-1318118-8
OBSOLETE	4.69	21.4	20.8	17.5	7	16	1-1318118-8
-	3.8	16.4	15.8	12.5	5	12	5-1318118-6
-	3.8	16.4	15.8	12.5	5	12	3-1318118-6
-	3.8	16.4	15.8	12.5	5	12	9-1318118-6 2-1318118-6
-	3.8	16.4	15.8	12.5	5	12	1-1318118-6

THIS DRAWING IS A CONTROLLED DOCUMENT.

DWN: K.IKEDA 07DEC1998
 CHK: N.MATSUBARA 07DEC1998
 APVD: I.HASEGAWA 07DEC1998

STE TE Connectivity

DOUBLE ROW REC HSG
 DYNAMIC D-2100D

108-5619
 APPLICATION SPEC

114-5258
 WEIGHT

SIZE: A3 CAGE CODE: 00779 DRAWING NO: C-1318118 RESTRICTED TO: -

CUSTOMER DRAWING SCALE: 4:1 SHEET: 1 OF 1 REV: H

DIMENSIONS: mm	TOLERANCES UNLESS OTHERWISE SPECIFIED: 0 PLC ± 0.3 1 PLC ± 0.35 2 PLC ± 0.35 3 PLC ± 0.4 4 PLC ANGLES ± 3'
MATERIAL	FINISH

单击下面可查看定价，库存，交付和生命周期等信息

[>>TE Connectivity\(泰科\)](#)