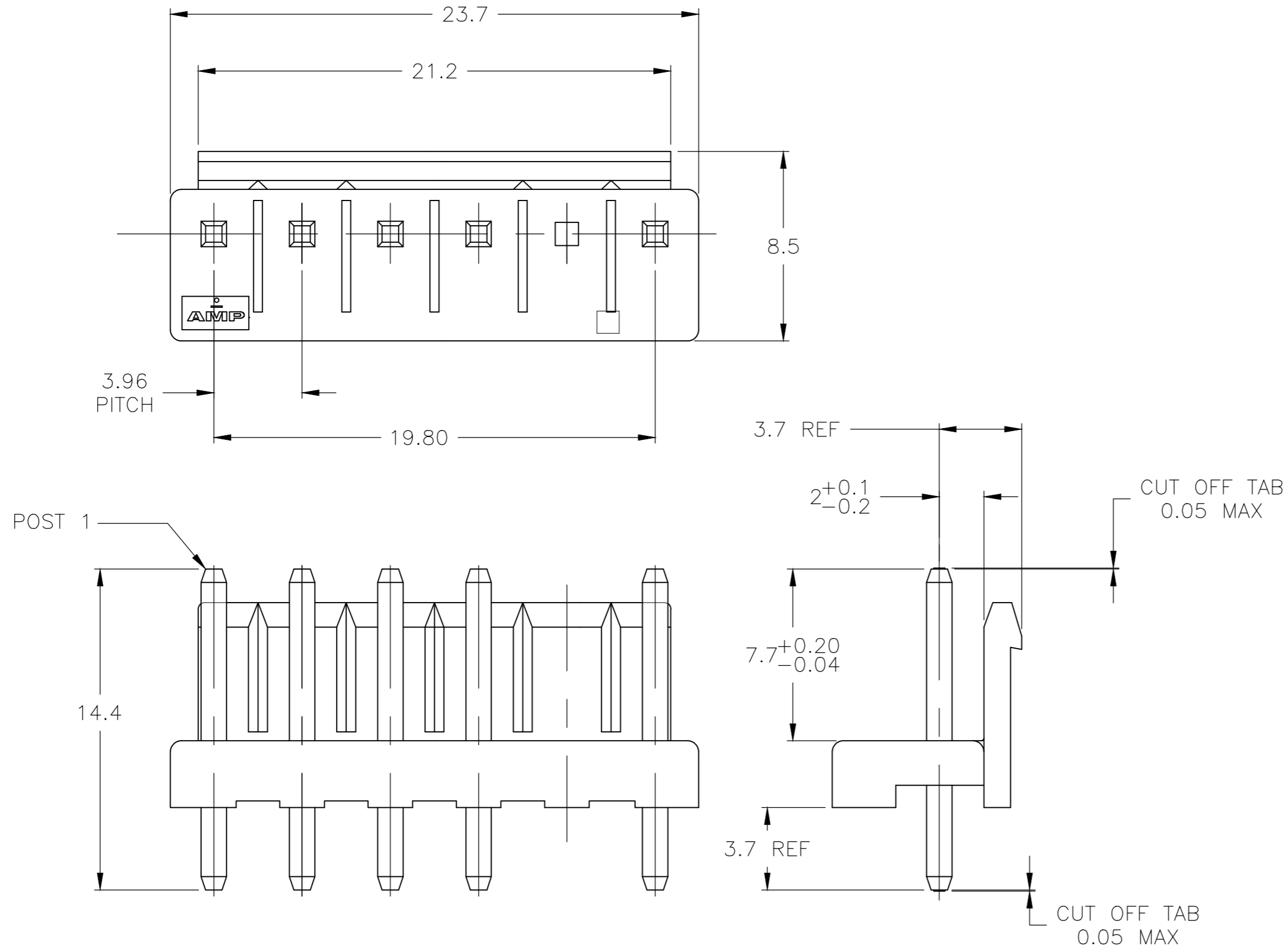


THIS DRAWING IS UNPUBLISHED. RELEASED FOR PUBLICATION  
 © COPYRIGHT - By - ALL RIGHTS RESERVED.

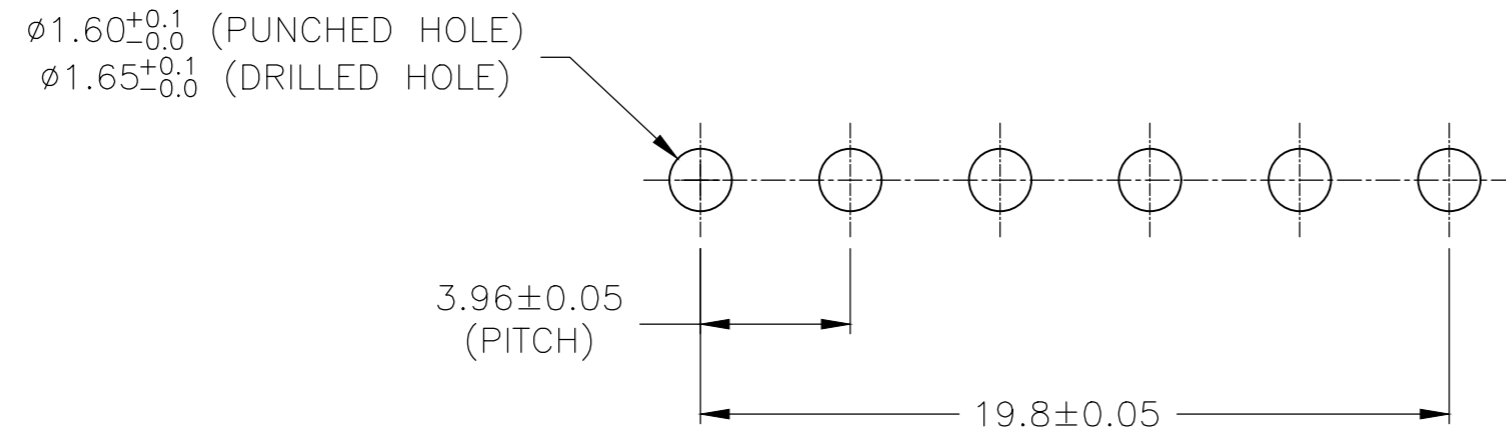
LOC		DIST		REVISIONS			
P	LTR	DESCRIPTION		DATE	DWN	APVD	
GP	00	C2		REVISED PER ECR-20-000784	14FEB2020	WH	DZ



1 MATERIAL: HOUSING- PBT, NATURAL  
 POST- BRASS, 1MICROMETER MIN TIN OVER  
 0.8 MICROMETER MIN NICKEL.

2. RECOMMENDED MATING PART: \*-1123722-\*

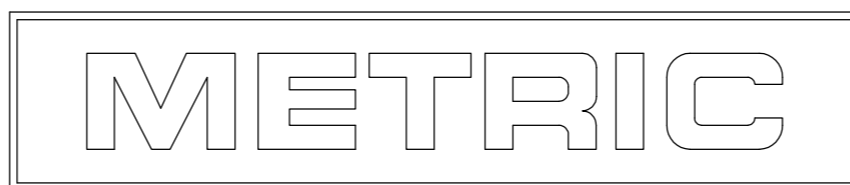
3 0 : WITH PIN,  
 X : WITHOUT PIN.



0	0	0	0	X	0	BLACK	6	5-1744106-8
0	0	0	0	0	0	BLACK	6	5-1744106-7
0	0	0	0	0	0	NATURAL	6	1-1744106-7
0	X	0	X	0	0	NATURAL	6	1744106-6
0	0	X	0	0	0	NATURAL	6	1744106-5
0	X	0	0	0	0	NATURAL	6	1744106-4
0	X	0	0	X	0	NATURAL	6	1744106-3
0	0	0	X	0	0	NATURAL	6	1744106-2
0	0	0	0	X	0	NATURAL	6	1744106-1
1	2	3	4	5	6	COLOR	NO. OF POSITIONS	ASSEMBLY PART NO.

OBSOLETE

1744106-1 SHOWN



THIS DRAWING IS A CONTROLLED DOCUMENT.

DIMENSIONS: mm	TOLERANCES UNLESS OTHERWISE SPECIFIED: 0 PLC ± - 1 PLC ± 0.5 2 PLC ± 0.30 3 PLC ± - 4 PLC ± - ANGLES ± -	DWN K. WHITAKER 04JUN04 CHK D. BOSSI 04JUN04 APVD D. BOSSI 04JUN04 PRODUCT SPEC 108-5609 APPLICATION SPEC -	NAME TE Connectivity HEADER ASSEMBLY, SPECIAL, OMITTED POST, 6 POSITION, ECONOMY POWER (EP)
MATERIAL 1	FINISH 1	WEIGHT -	SIZE A2 CAGE CODE 00779 DRAWING NO. C=1744106 RESTRICTED TO -
CUSTOMER DRAWING		SCALE N/A	SHEET 1 OF 1 REV C2

单击下面可查看定价，库存，交付和生命周期等信息

[>>TE Connectivity\(泰科\)](#)