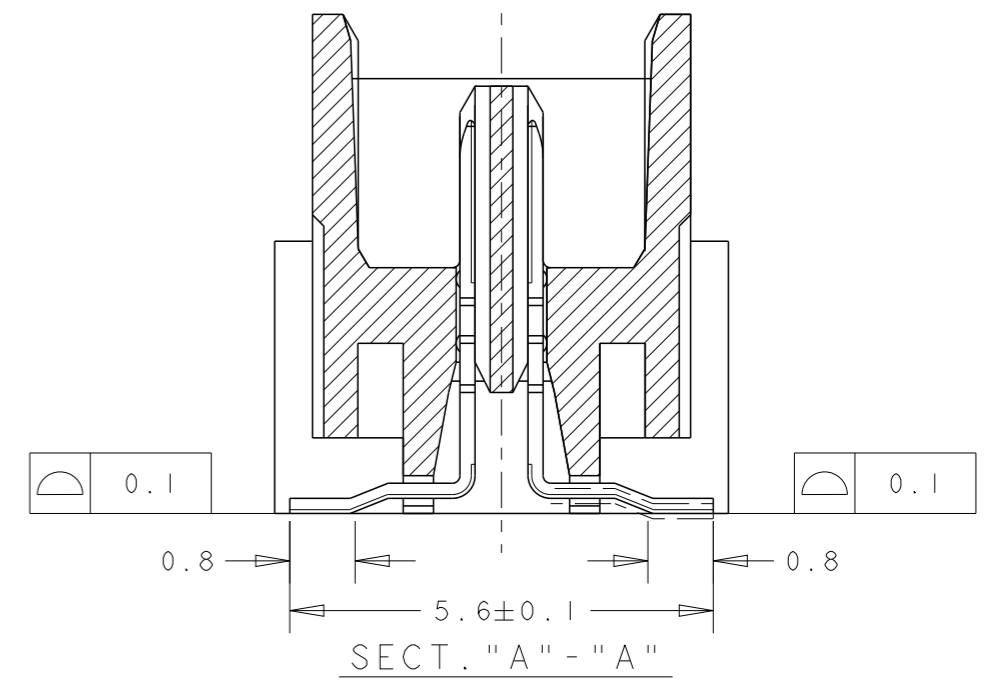
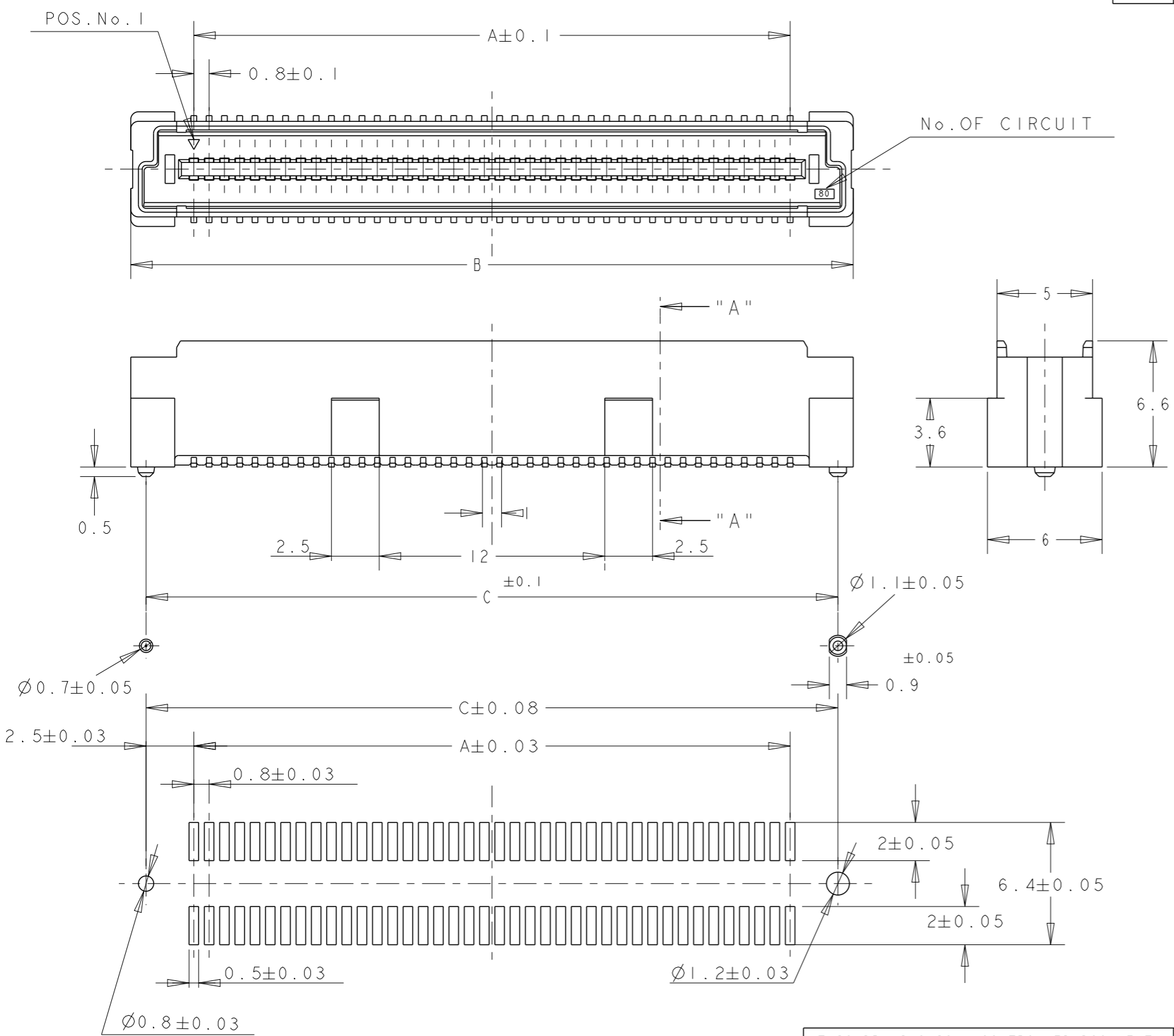


THIS DRAWING IS UNPUBLISHED. RELEASED FOR PUBLICATION 20
 © COPYRIGHT 20 BY - ALL RIGHTS RESERVED.


LOC	DIST	REVISIONS			
P	LTR	DESCRIPTION	DATE	DWN	APVD
DY	-	B2 REVISED PER ECR-12-021394	12DEC12	IT	SY



- NOTES:
- 1 MATERIAL:
HOUSING: L.C.P. (HIGH TEMP THERMO PLASTIC)
UL 94V-0, NATURAL.
CONTACT: BRASS.
 - 2 FINISH:
CONTACT AREA: 0.0002 MIN GOLD ON
0.0013 MIN ALL OVER NICKEL.
 - 3 SOLDERING AREA: 0.002 MIN MATTE-TIN.
 - 4 POSITION SERIES: SEE TABLE.
CONN STACK HEIGHT COMBINE OF PLUG "Y" H VS REC "X" H.
STACK HEIGHT = Y + X - 5
 - 5 FINISH:
CONTACT AREA: 0.00076 MIN GOLD ON
0.0013 MIN ALL OVER NICKEL.
SOLDERING AREA: 0.002 MIN MATTE-TIN.
 - 6 OBSOLETE PARTS: OBSOLETE CIS STREAMLINING PER
D.RENAUD/D.SINISI.
 - 7 FINISH:
CONTACT AREA: 0.00038 MIN GOLD ON
0.0013 MIN ALL OVER NICKEL.
SOLDERING AREA: 0.002 MIN MATTE-TIN.

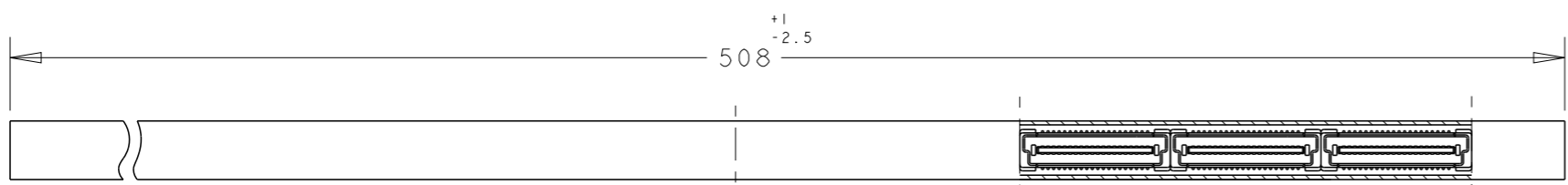
RECOMMENDED P.C. BOARD LAYOUT

P/N SEE SHEET 2 AND 3 OF 3

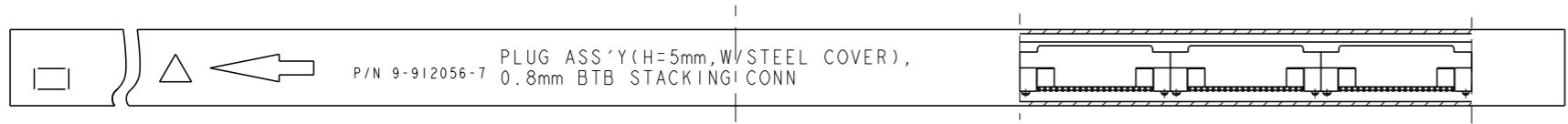
THIS DRAWING IS A CONTROLLED DOCUMENT.		DWN FLORENCE TAN 30AUG04	 TE Connectivity	
DIMENSIONS: mm		CHK ERIC TNG		
TOLERANCES UNLESS OTHERWISE SPECIFIED:		APVD SE LEONG	NAME PLUG ASSEMBLY 7H TYPE (0.5 BOSS LENGTH) FOR FH 0.8mm PITCH BTB CONNECTOR	
0 PLC ± 1 PLC ±0.30 2 PLC ±0.25 3 PLC ±0.20 4 PLC ± ANGLES ±3°		PRODUCT SPEC 108-5390	SIZE A300779	
MATERIAL		APPLICATION SPEC 114-5254	DRAWING NO C=5179030	
FINISH SEE P/N TABLE		WEIGHT -	RESTRICTED TO -	
		CUSTOMER DRAWING	SCALE 4:1	SHEET 1 OF 3
			REV B2	

THIS DRAWING IS UNPUBLISHED. RELEASED FOR PUBLICATION 20
 © COPYRIGHT 20 BY - ALL RIGHTS RESERVED.

LOC	DIST	REVISIONS				
P	LTR	DESCRIPTION	DATE	DWN	APVD	
DY	-	SEE HEET I				

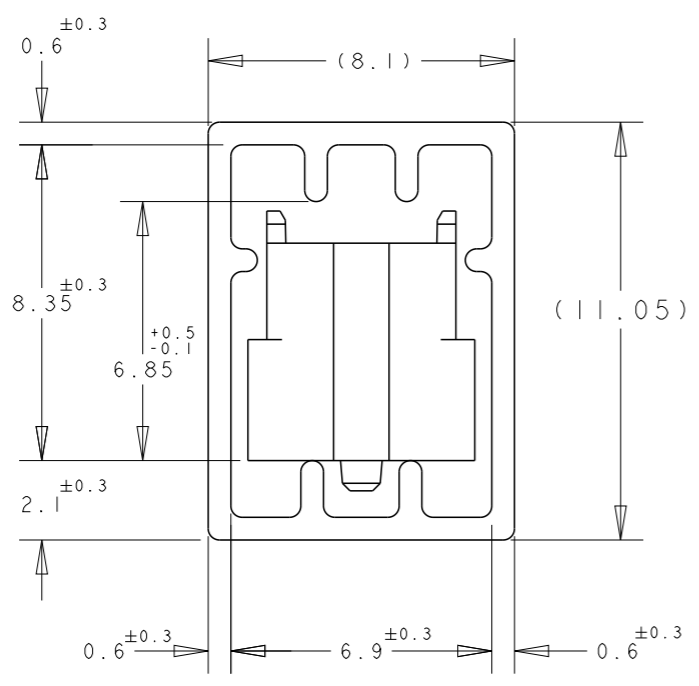
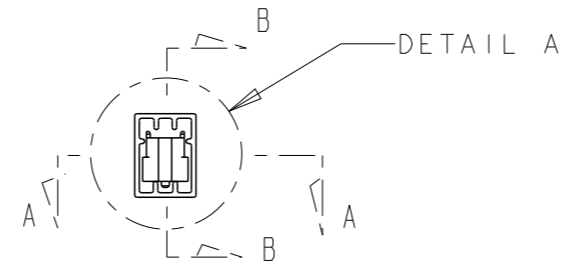


SECT A-A



SECT B-B

REFERENCE PICTURE OF TUBE PACK



DETAIL "B"
(SCALE 5-1)

CNT	PLT	FINISH	AVAILABILITY	QTY/TUBE					POS.	CONN P/N
				C	B	A	5179030-1			
5	15Au/Sn	2	AVAILABLE	5	84.2	85.8	79.2	200	4-	-0
				6	76.2	77.8	71.2	180	3-	-9
				6	68.2	69.8	63.2	160	3-	-8
				7	60.2	61.8	55.2	140	3-	-6
				9	52.2	53.8	47.2	120	3-	-5
				10	44.2	45.8	39.2	100	3-	-4
				12	36.2	37.8	31.2	80	3-	-3
				16	28.2	29.8	23.2	60	3-	-2
				22	20.2	21.8	15.2	40	3-	-1
				6	30Au/Sn	5	AVAILABLE	5	84.2	85.8
6	76.2	77.8	71.2					180	1-	-9
6	68.2	69.8	63.2					160	1-	-8
7	64.2	65.8	59.2					150	1-	-7
7	60.2	61.8	55.2					140	1-	-6
9	52.2	53.8	47.2					120	1-	-5
10	44.2	45.8	39.2					100	1-	-4
12	36.2	37.8	31.2					80	1-	-3
16	28.2	29.8	23.2					60	1-	-2
22	20.2	21.8	15.2					40	1-	-1
8	08Au/Sn	2	AVAILABLE	5	84.2	85.8	79.2	200	1-	-0
				6	76.2	77.8	71.2	180		-9
				6	68.2	69.8	63.2	160		-8
				7	64.2	65.8	59.2	150		-7
				7	60.2	61.8	55.2	140		-6
				9	52.2	53.8	47.2	120		-5
				10	44.2	45.8	39.2	100		-4
				12	36.2	37.8	31.2	80		-3
				16	28.2	29.8	23.2	60		-2
				22	20.2	21.8	15.2	40		-1

THIS DRAWING IS A CONTROLLED DOCUMENT. DWN 30AUG04 FLORENCE TAN
 CHK ERIC TNG
 APVD SE LEONG
 PRODUCT SPEC 108-5390
 APPLICATION SPEC 114-5254
 WEIGHT -
 CUSTOMER DRAWING

STE TE Connectivity

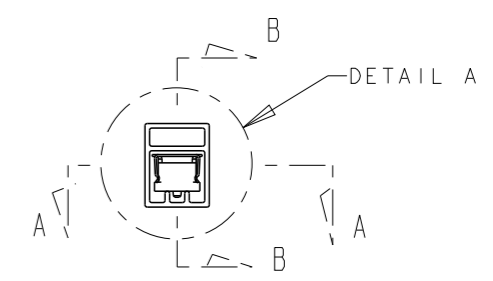
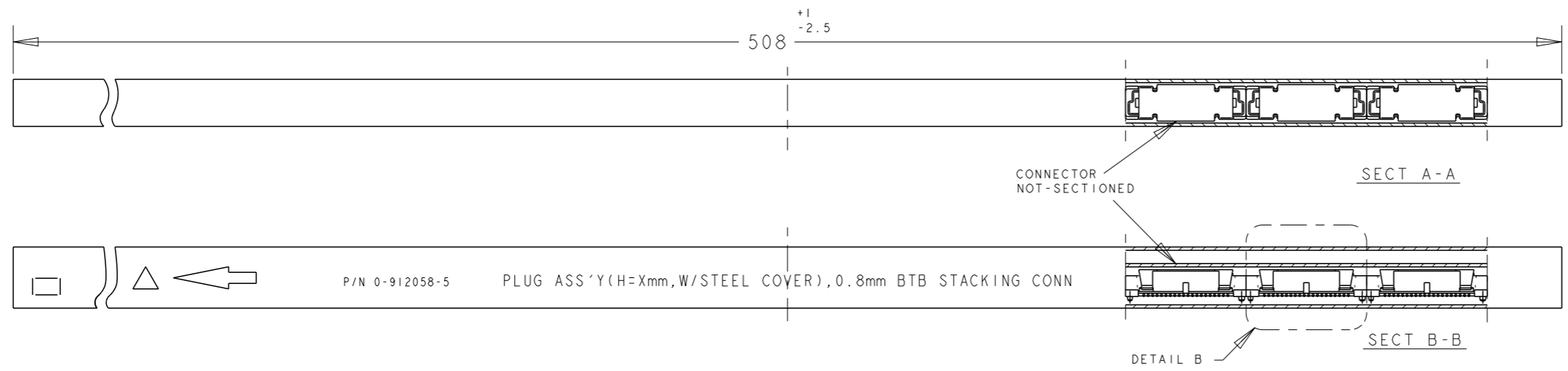
NAME: PLUG ASSEMBLY 7H TYPE (0.5 BOSS LENGTH) FOR FH 0.8mm PITCH BTB CONNECTOR

SIZE: A300779 CAGE CODE: C-5179030 DRAWING NO: RESTRICTED TO: -
 SCALE: 4:1 SHEET 2 OF 3 REV B2

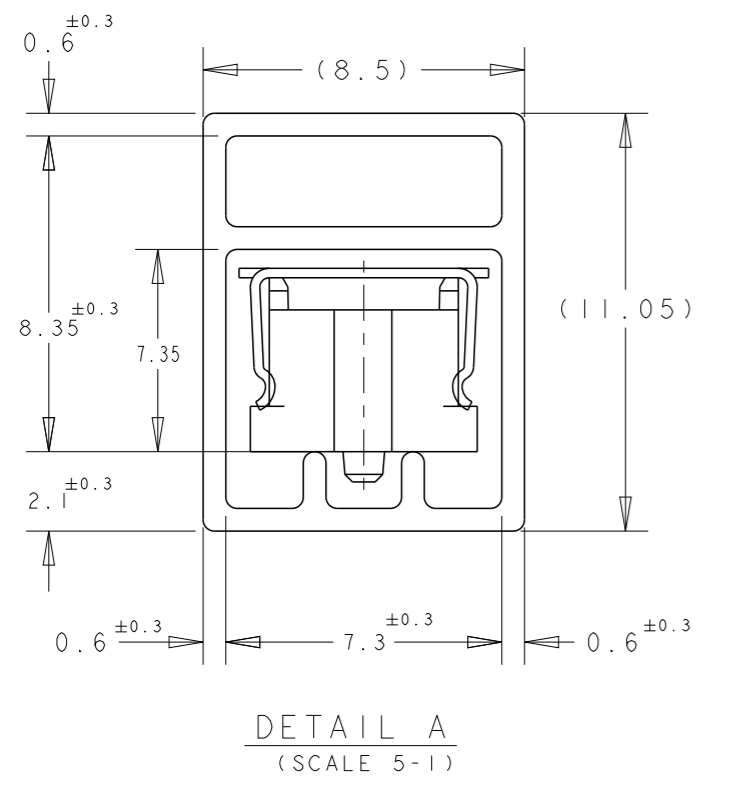
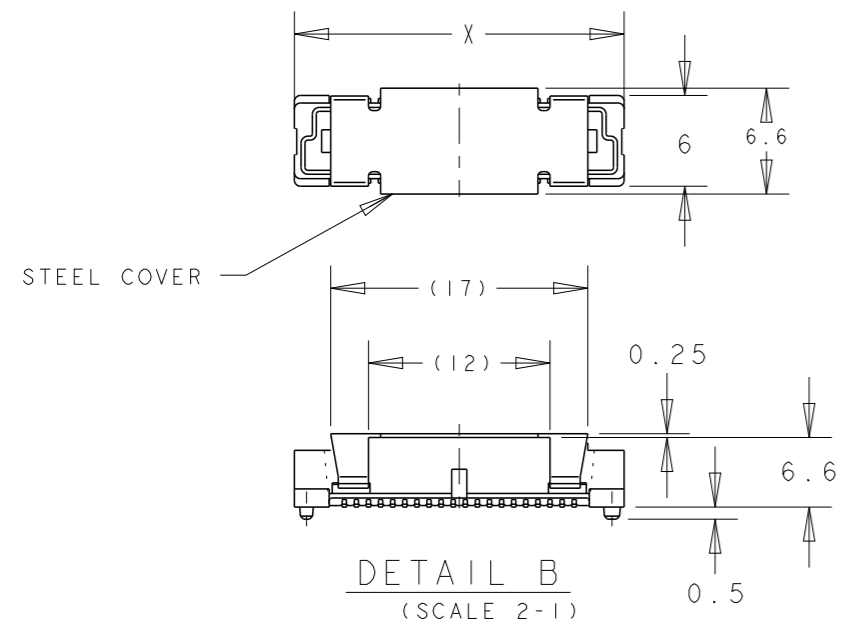
DIMENSIONS: mm TOLERANCES UNLESS OTHERWISE SPECIFIED:
 0 PLC ±
 1 PLC ±0.30
 2 PLC ±0.25
 3 PLC ±0.20
 4 PLC ±
 ANGLES ±3°
 MATERIAL: FINISH: SEE P/N TABLE

THIS DRAWING IS UNPUBLISHED. RELEASED FOR PUBLICATION 20
 © COPYRIGHT 20 BY - ALL RIGHTS RESERVED.

LOC	DIST	REVISIONS					
DY	-	P	LTR	DESCRIPTION	DATE	DWN	APVD
				SEE HEET I			



PLUG TUBE ASSY WITH STEEL COVER FOR FH 0.8 B-T-B CONNECTOR



CMT PLT 30Au/Sn 5	AVAILABLE	5	85.8	200	3-	-0	
		6	77.8	180	2-	-9	
		6	69.8	160	2-	-8	
	WITH STEEL COVER	AVAILABLE	7	65.8	150	2-	-7
			7	61.8	140	2-	-6
			9	53.8	120	2-	-5
			10	45.8	100	2-	-4
			12	37.8	80	2-	-3
			16	29.8	60	2-	-2
22	21.8	40	2-5179030-1				
FINISH/REMARKS	AVAILABILITY	QTY/TUBE	X	POS.	CONN P/N		

THIS DRAWING IS A CONTROLLED DOCUMENT.		DWN FLORENCE TAN 30AUG04	TE Connectivity		
DIMENSIONS: mm		CHK ERIC TNG			
TOLERANCES UNLESS OTHERWISE SPECIFIED:		APVD SE LEONG	NAME PLUG ASSEMBLY 7H TYPE (0.5 BOSS LENGTH) FOR FH 0.8mm PITCH BTB CONNECTOR		
0 PLC ± 1 PLC ±0.30 2 PLC ±0.25 3 PLC ±0.20 4 PLC ± ANGLES ±3°		PRODUCT SPEC 108-5390	SIZE A300779		
MATERIAL		APPLICATION SPEC 114-5254	DRAWING NO C-5179030		
FINISH SEE P/N TABLE		WEIGHT -	RESTRICTED TO -		
		CUSTOMER DRAWING	SCALE 4:1	SHEET 3 OF 3	REV B2

单击下面可查看定价，库存，交付和生命周期等信息

[>>TE Connectivity\(泰科\)](#)