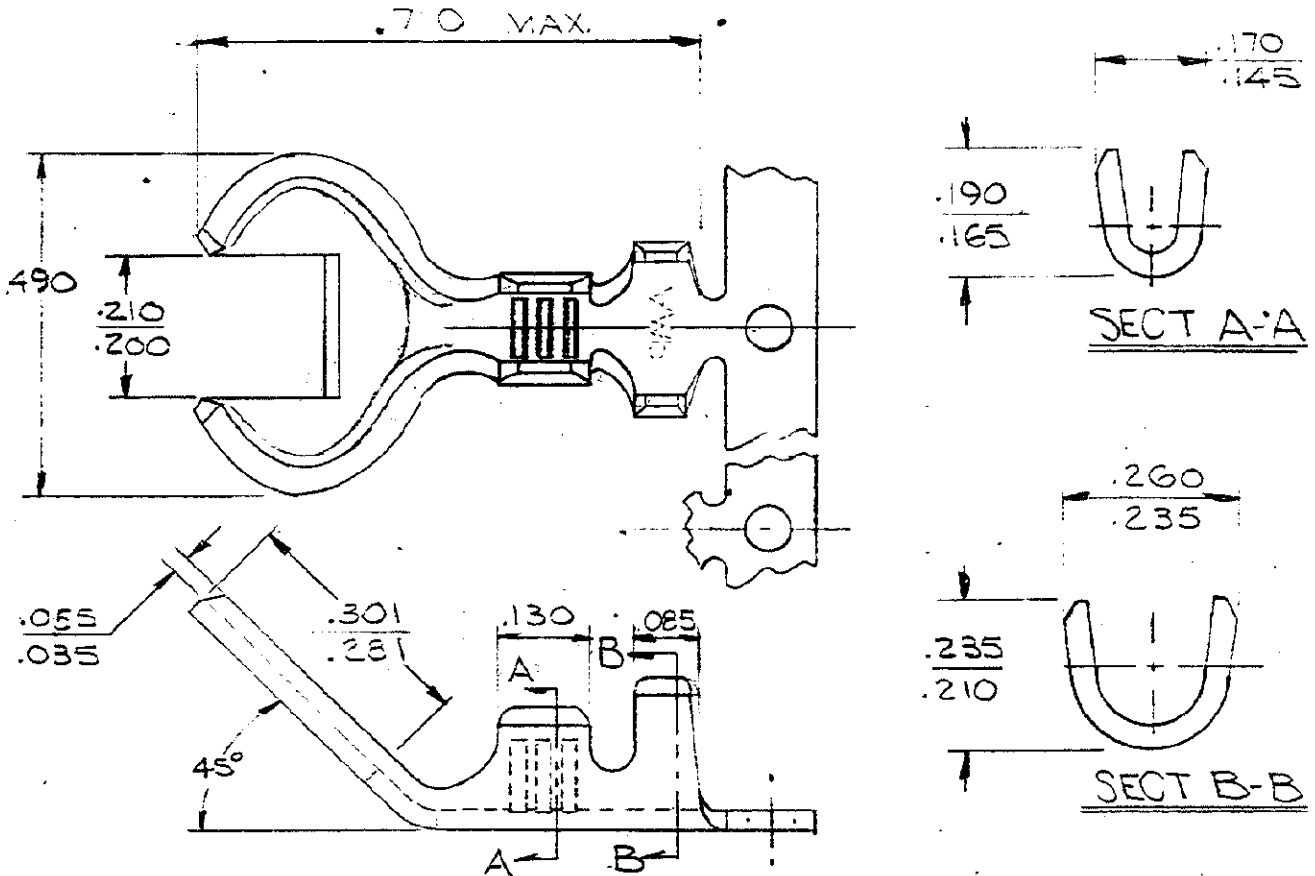


NUMBER 60999



CONTINUOUS STRIP, ON REELS

WIRE SIZE AWG	INSULATION RANGE	MATERIAL AND FINISH	TERMINAL NUMBER
18-14	.120-.180	.031 COPPER-TIN	60999-1

DIMENSIONS IN INCHES. DO NOT SCALE PRINT

©1966 BY AMP INCORPORATED, ALL RIGHTS RESERVED. AMP PRODUCTS COVERED BY PATENTS AND/OR PATENTS PENDING.		CUSTOMER COPY REFERENCE ONLY	
MATERIAL AND FINISH		Tyco Electronics Corporation Harrisburg, PA 17105-3608	
WIRE RANGE INSULATION		CLASS	
TYPE		TYPE	
TOLERANCE EXCEPT AS NOTED = .015		SCALE 4-1	LOC AT A NO. 60999 REF. H
NAME SPADE			

H	REVISED PER ECR-10-006099	HMR	PD	07JUL10
REV	REVISION RECORD	DR	CHK	DATE
DR.	C. MEYERS 3-10-66	DR.	<i>[Signature]</i> 3/10/66	
APP.	<i>[Signature]</i> 3/10/66	APP.	<i>[Signature]</i> 3/10/66	

单击下面可查看定价，库存，交付和生命周期等信息

[>>TE Connectivity\(泰科\)](#)