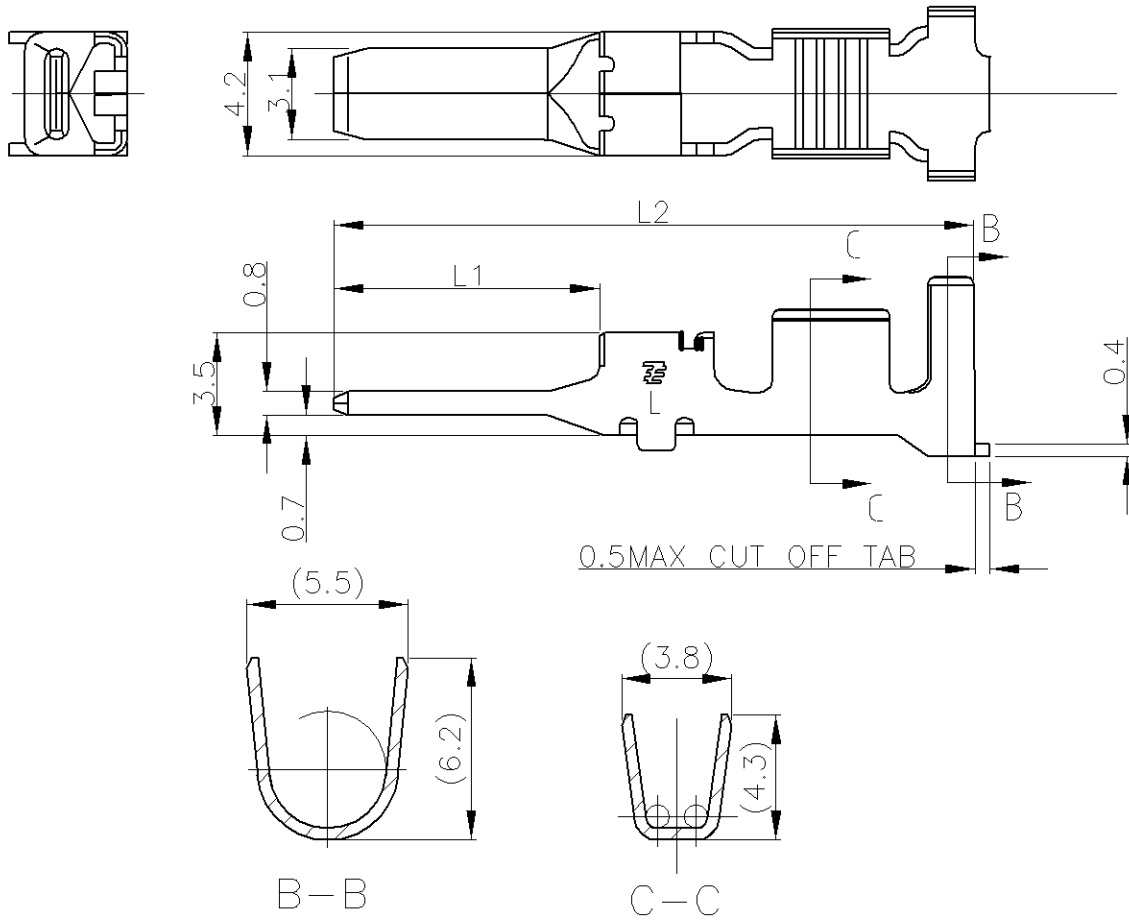


LOC	DIST	REVISIONS					
J	—	P	LTR	DESCRIPTION	DATE	DWN	APVD
		B		REVISED	11MAY2011	M.M	N.Y



L SIZE

- 注)
- 1.一般公差：±0.25
 - 2.材料：2材料：銅合金全面Niめっき1.3μm以上
接点部金めっき0.38μm以上めっき
 - 3.適用電線：AWG#14-#12(被覆外径φ2.9~φ4.1)

NOTES)

- 1.GENERAL TOLERANCE:±0.25
- 2..MATERIAL:COPPER ALLOY,FINISH:OVER NI PLATING 1.3μm MIN.
(CONTACT AREA) 0.38 μm MIN GOLD PLATING
- 3.APPLICABLE WIRE:AWG#14-#12 (INS DIAφ2.9~φ4.1)

25.5	12.75	1-1747500-2
21.8	9.05	1747500-2
L2	L1	PART NUMBER

DIMENSIONS:

mm

TOLERANCES UNLESS OTHERWISE SPECIFIED:
SEE NOTE

0 PLC	± -
1 PLC	± -
2 PLC	± -
3 PLC	± -
4 PLC	± -
ANGLES	± -

DWN	T.KUDO	26AUG2004
CHK	D.MITSUGI	26AUG2004
APVD	D.MITSUGI	26AUG2004
PRODUCT SPEC	108-78182	
APPLICATION SPEC	114-5369	
WEIGHT	-	

MATERIAL	COPPER ALLOY	FINISH	SEE NOTE
		TE Connectivity	
		NAME DYNAMIC D-4200 TAB CONTACT L SIZE LOOSE PIECE	
SIZE	A4	CAGE CODE	00779
DRAWING NO	C-1747500		RESTRICTED TO
CUSTOMER DRAWING			SCALE 4:1
SHEET		1 of 1	REV B

单击下面可查看定价，库存，交付和生命周期等信息

[>>TE Connectivity\(泰科\)](#)