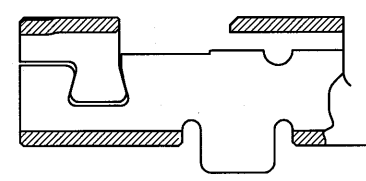
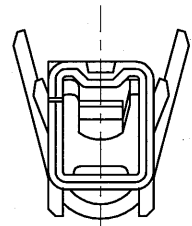
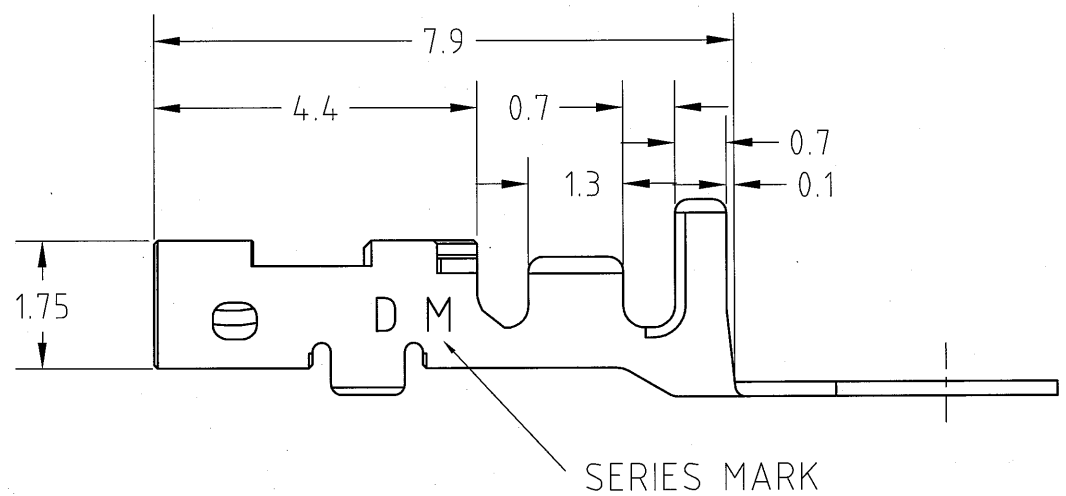
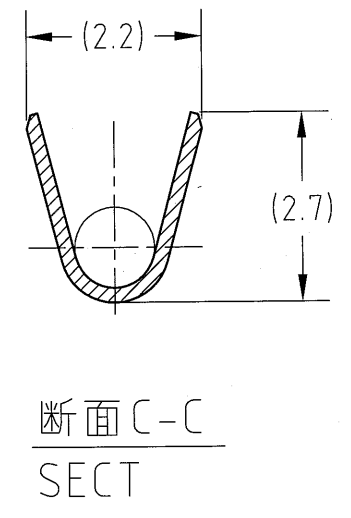
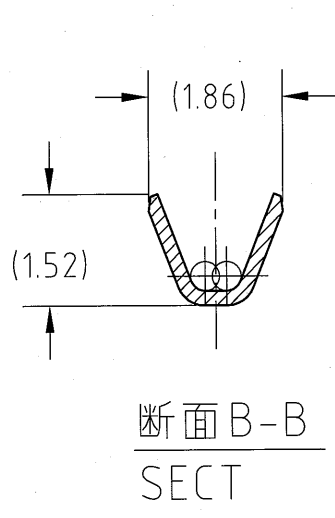
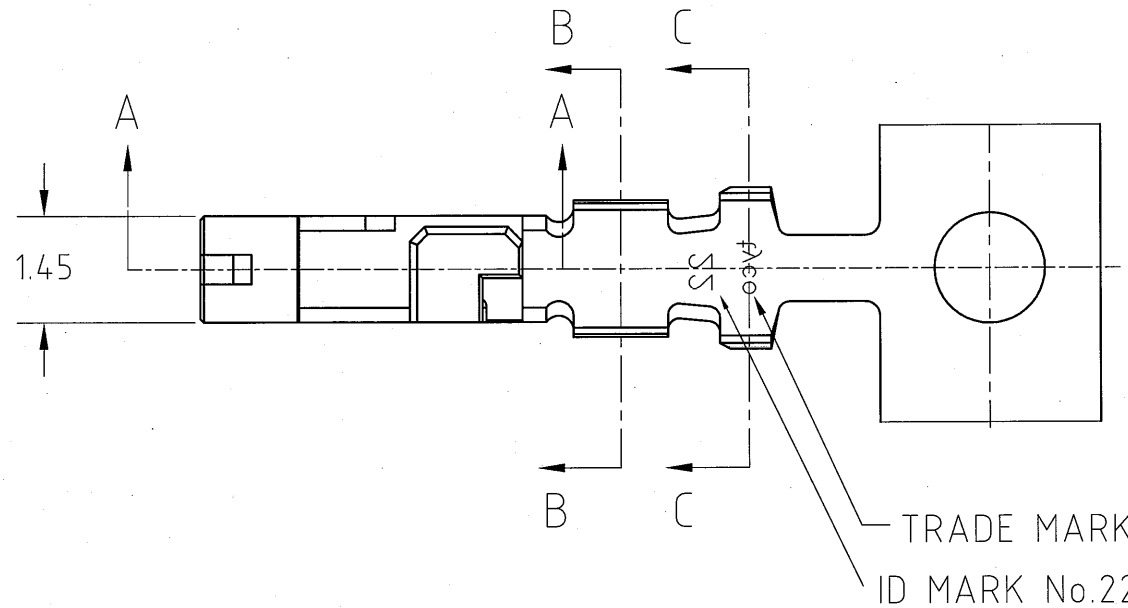


THIS DRAWING IS UNPUBLISHED. RELEASED FOR PUBLICATION
 © COPYRIGHT BY TYCO ELECTRONICS CORPORATION. ALL RIGHTS RESERVED.

LOC	DIST	REVISIONS					
J	-	P	LTR	DESCRIPTION	DATE	DWN	APVD
		B		REVISED	07SEP2005	T.K	D.M
		C		REVISED	07OCT2009	Y.O	T.K



MATE WITH 0.5t TAB

AWG#28~#22 0.08~0.38mm ²	φ1.08~φ1.6	PRE-TIN COPPER ALLOY 錫めっき済銅合金	1871303-1
WIRE RANGE 導体断面積	INSULATION DIA 被覆外径	MATERIAL 材料	PART NO. 型番

THIS DRAWING IS A CONTROLLED DOCUMENT.		DWN T.KUDO 13MAY2005	Tyco Electronics Corporation Kawasaki, Japan	
DIMENSIONS: 単位: 耗 mm		CHK D.MITSUGI 13MAY2005	NAME 名称 DYNAMIC D1000 SERIES REC CONTACT (M TYPE) TIN PLATE	
TOLERANCES UNLESS OTHERWISE SPECIFIED: 一般公差		APVD D.MITSUGI 13MAY2005	PRODUCT SPEC 製品規格 108-78298	
0/PLC ± 0.3 1/RLC ± 2/PAC ± 3/PLC ± 4/PLC ANGLE ± 3deg		APPLICATION SPEC 取付適用規格 114-5377	SIZE A3	CAGE CODE 00779
MATERIAL 材料	FINISH 仕上	WEIGHT	DRAWING NO 番号 C=1871303	RESTRICTED TO -
CUSTOMER DRAWING			SCALE 尺度 10:1	SHEET 1 OF 1 REV C

单击下面可查看定价，库存，交付和生命周期等信息

[>>TE Connectivity\(泰科\)](#)