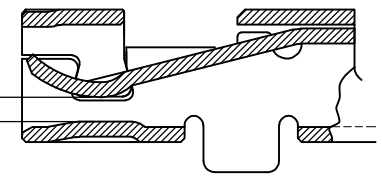
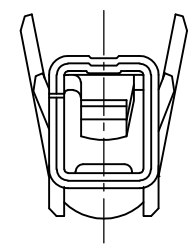
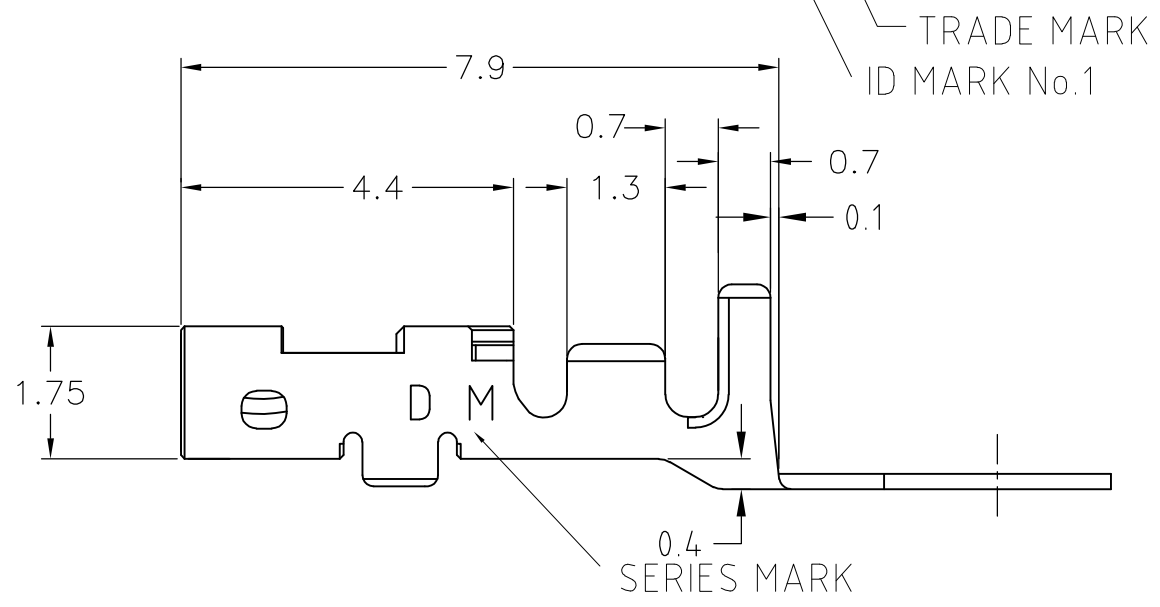
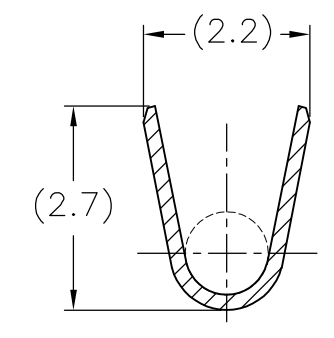
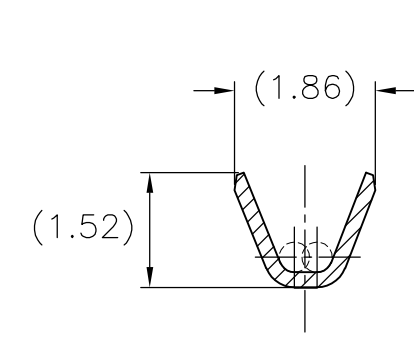
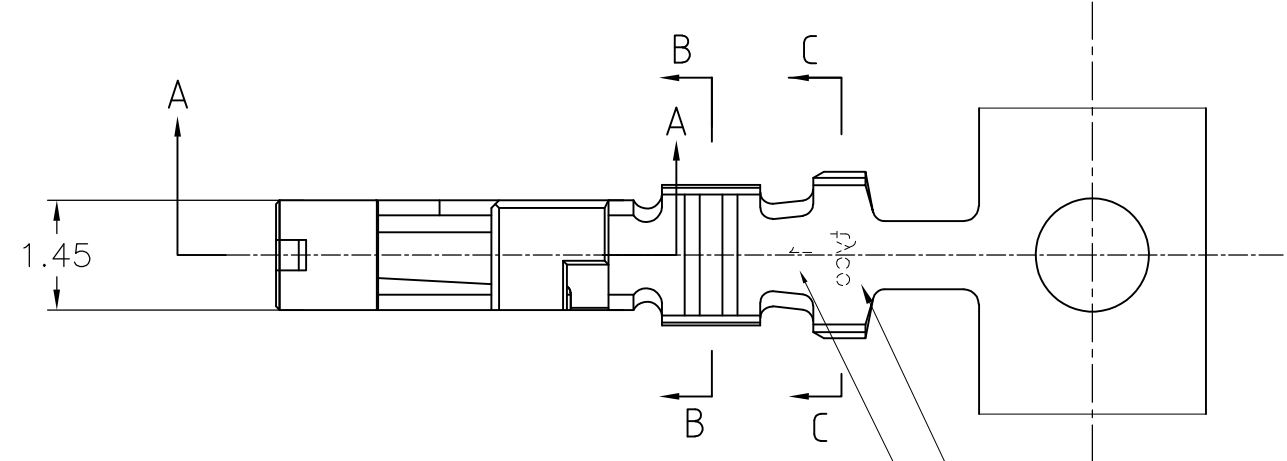


THIS DRAWING IS UNPUBLISHED. RELEASED FOR PUBLICATION  
 © COPYRIGHT BY TYCO ELECTRONICS CORPORATION. ALL INTERNATIONAL RIGHTS RESERVED.

| LOC | DIST | REVISIONS |     |             | DATE    | DWN | APVD |
|-----|------|-----------|-----|-------------|---------|-----|------|
| J   | —    | P         | LTR | DESCRIPTION |         |     |      |
|     |      |           | B   | REVISED     | 26AUG10 | T.T | T.M  |



0.5tタブにかん合  
MATE WITH 0.5t TAB

断面 A-A  
SECT.

|  |                        |   |   |
|--|------------------------|---|---|
| AWG#28~#22<br>0.08~0.38mm <sup>2</sup>                                   | φ1.08~φ1.6             | COPPER ALLOY, FINISH: CONTACT AREA Au 0.76μm MIN, OVER Ni 1.27μm MIN<br>材料: 銅合金, 下地: Niめっき 1.27μm以上, 接点部: 金めっき 0.76μm以上 | 1939991-2                                       |
| WIRE RANGE<br>導体断面積  | INSULATION DIA<br>被覆外径 | MATERIAL<br>材料  | PART No.<br>型番                                  |
| THIS DRAWING IS A CONTROLLED DOCUMENT.                                   |                        | DWN<br>M.MAEBASHI 25APR2007   | Tyco Electronics Corporation<br>Kawasaki, Japan |
|  |                        | CHK<br>T.KUDO 25APR2007   |   |
| DIMENSIONS:<br>単位: 耗<br>mm   |                        | APVD<br>D.MITSUGI 25APR2007   | NAME<br>名称                                      |
| TOLERANCES UNLESS<br>OTHERWISE SPECIFIED:<br>一般公差                        |                        | PRODUCT SPEC<br>製品規格<br>108-78414   | DYNAMIC D1000 SERIES<br>REC CONTACT M TYPE REEL |
| 0 PLQ ± 0.3<br>1 PLC ±<br>2 PLC ±<br>3 PLC ±<br>4 PLG ±<br>ANGLES ± 3deg |                        | APPLICATION SPEC<br>取付適用規格<br>114-5405  |   |
| MATERIAL<br>材料   | FINISH<br>仕上           | WEIGHT<br>—   | RESTRICTED TO<br>—                              |
| CUSTOMER DRAWING   |                        | SIZE<br>A3  | CAGE CODE<br>00779                              |
|  |                        | DRAWING NO<br>番号<br>G-1939991   | SCALE<br>尺度 10:1                                |
|  |                        | SHEET<br>1 OF 1   | REV<br>B  |

单击下面可查看定价，库存，交付和生命周期等信息

[>>TE Connectivity\(泰科\)](#)