

THIS DRAWING IS UNPUBLISHED.

RELEASED FOR PUBLICATION

© COPYRIGHT

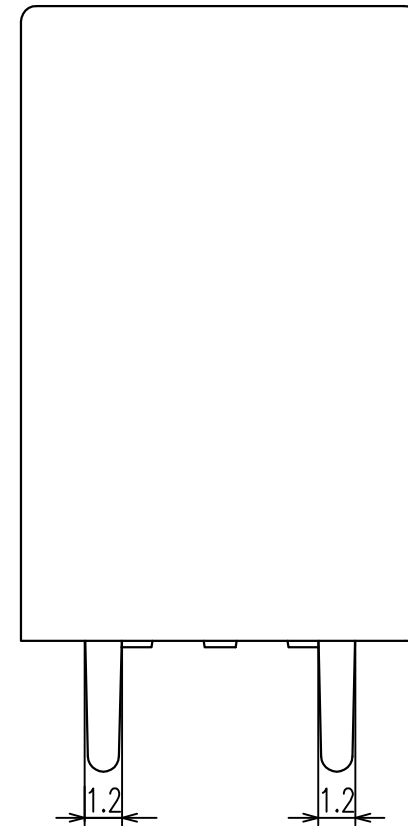
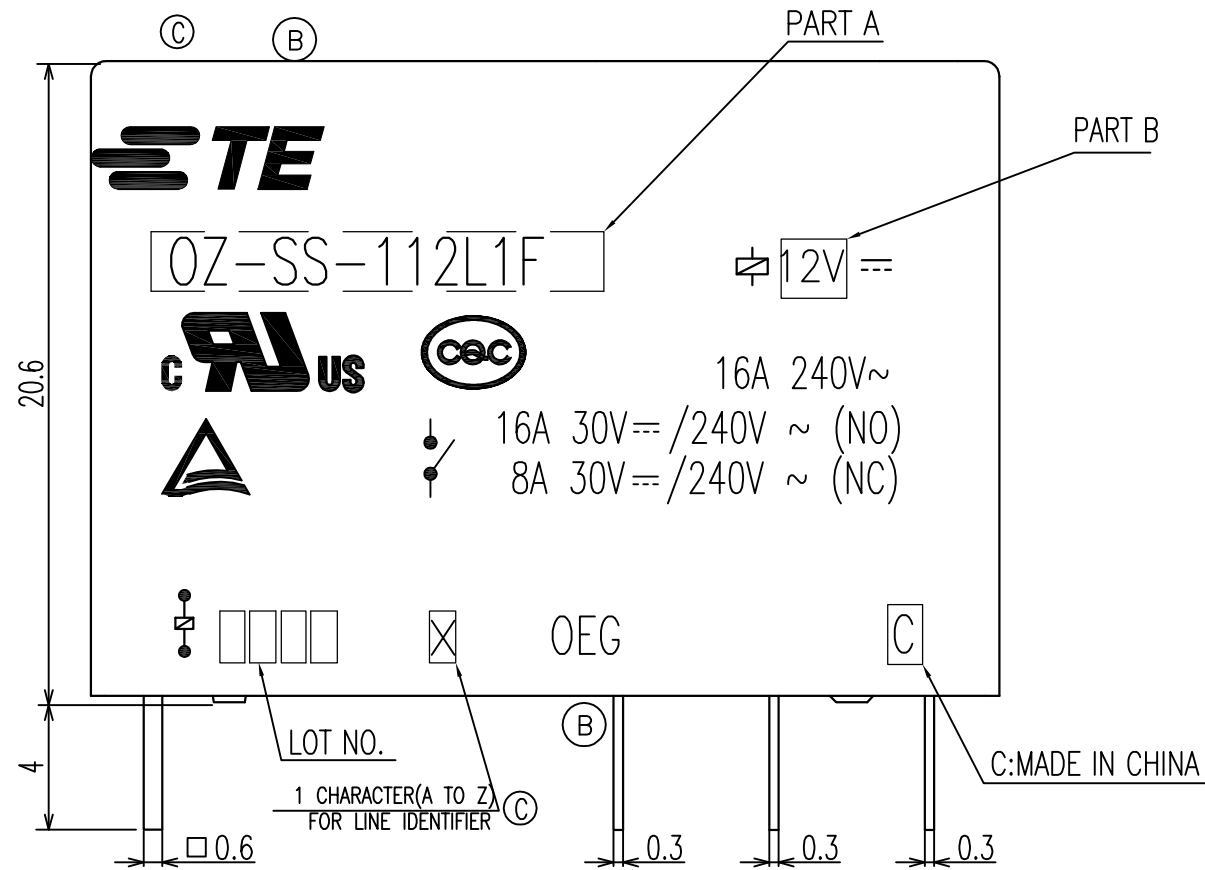
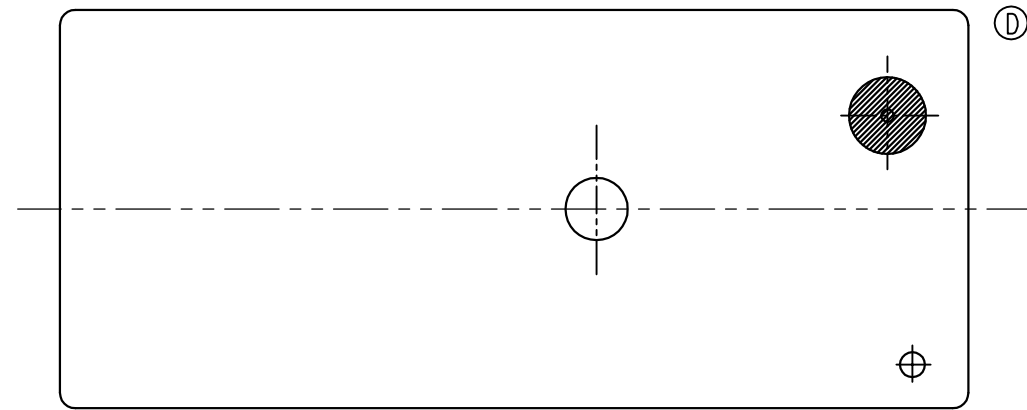
ALL RIGHTS RESERVED.

LOC

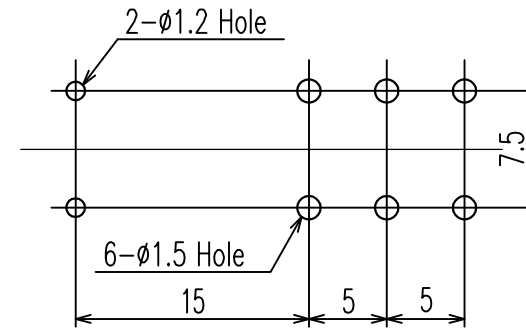
DIST

REVISIONS

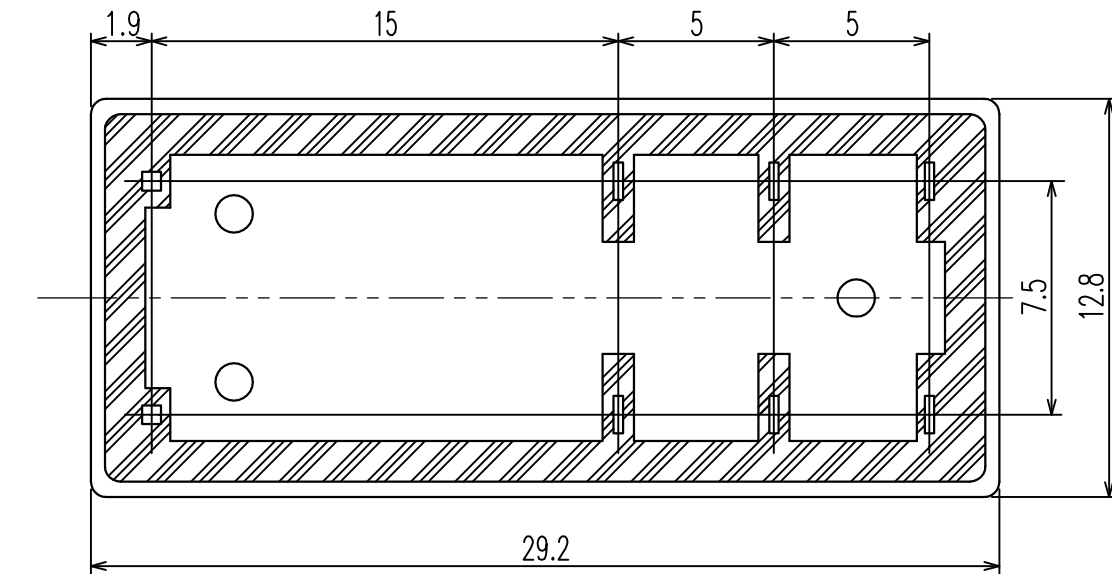
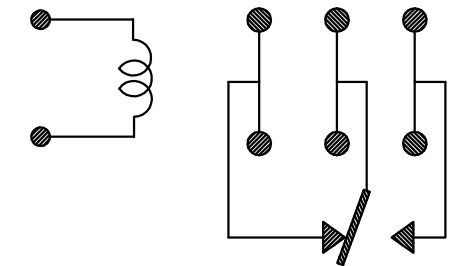
| P | LTR | DESCRIPTION | DATE | DWN | APVD |
|---|-----|---|-----------|------|------|
| C | | 1.UPDATE THE LOGO 2.ADD LINE IDENTIFICATION | 09-APR-12 | D.L | BH.Y |
| D | | 3.TERMINALS TOLERANCE CLARIFICATION 4.VENT HOLE CHANGE CHANGE THE VENT HOLE SHAPE FROM RECTANGLE TO CIRCLE ONE | 16-DEC-13 | XL,Y | B,F |



DRILLING DIAGRAM(2/1)
(BOTTOM VIEW)



CIRCUIT DIAGRAM
(BOTTOM VIEW)

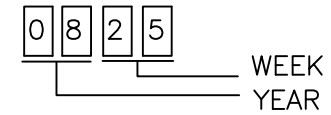


| | | | | | |
|--------------------|--|---------------------|-----------------|-----------------------|-----------------|
| DWN N.FUNAYAMA | | TE Connectivity | | | |
| CHK T.FUKAYA | | | | | |
| APVD MJ.HO | | NAME | | | |
| PRODUCT SPEC - | | OZ CUSTOMER DRAWING | | | |
| APPLICATION SPEC - | | | | | |
| MATERIAL - | | SIZE A3 | CAGE CODE 00779 | DRAWING NO C= 1649399 | RESTRICTED TO - |
| FINISH - | | SCALE 4:1 | | SHEET 1 OF 2 | REV D |
| CUSTOMER DRAWING | | | | | |

THIS DRAWING IS UNPUBLISHED. RELEASED FOR PUBLICATION
 © COPYRIGHT ALL RIGHTS RESERVED.

| LOC | DIST | REVISIONS | | | | | | |
|-----|------|-----------|-----|-------------|-----|------|-----|------|
| | | P | LTR | DESCRIPTION | ECN | DATE | DWN | APVD |
| | | | | | | | | |

NOTES:
 1. LOT NO. SYSTEM AS FOLLOWING:



2. GENERAL TOLERANCE AS FOLLOWING:

| TOLERANCE | |
|------------|------|
| 0~0.99mm | ±0.1 |
| 1mm~2.99mm | ±0.2 |
| 3mm MIN. | ±0.3 |

3. TERMINAL DIMENSION IS NOT INCLUDING SOLDER TIP.

④ 4. FOR THE TIN-PLATING OF THE PINS:
 +0.1mm FOR WIDTH, THICKNESS AND DIAMETER.
 +0.5mm FOR LENGTH.

| | | | | |
|---|-------------|--------------|--------|-------------|
| ① | 3-1649399-0 | OZ-SH-148D1 | 48V | OZ-SH-148D1 |
| ① | 2-1649399-9 | OZ-SH-124D1 | 24V | OZ-SH-124D1 |
| ① | 2-1649399-8 | OZ-SH-118D1 | 18V | OZ-SH-118D1 |
| ① | 2-1649399-7 | OZ-SH-112D1 | 12V | OZ-SH-112D1 |
| ① | 2-1649399-6 | OZ-SH-109D1 | 9V | OZ-SH-109D1 |
| ① | 2-1649399-5 | OZ-SH-106D1 | 6V | OZ-SH-106D1 |
| ① | 2-1649399-4 | OZ-SH-105D1 | 5V | OZ-SH-105D1 |
| ① | 2-1649399-3 | OZ-SS-148D1 | 48V | OZ-SS-148D1 |
| ① | 2-1649399-2 | OZ-SS-124D1 | 24V | OZ-SS-124D1 |
| ① | 2-1649399-1 | OZ-SS-118D1 | 18V | OZ-SS-118D1 |
| ① | 2-1649399-0 | OZ-SS-112D1 | 12V | OZ-SS-112D1 |
| ① | 1-1649399-9 | OZ-SS-109D1 | 9V | OZ-SS-109D1 |
| ① | 1-1649399-8 | OZ-SS-106D1 | 6V | OZ-SS-106D1 |
| ① | 1-1649399-7 | OZ-SS-105D1 | 5V | OZ-SS-105D1 |
| | 1-1649399-6 | OZ-SH-148L1 | 48V | OZ-SH-148L1 |
| | 1-1649399-5 | OZ-SH-136L1 | 36V | OZ-SH-136L1 |
| | 1-1649399-4 | OZ-SH-124L1 | 24V | OZ-SH-124L1 |
| | 1-1649399-3 | OZ-SH-118L1 | 18V | OZ-SH-118L1 |
| | 1-1649399-2 | OZ-SH-112L1 | 12V | OZ-SH-112L1 |
| | 1-1649399-1 | OZ-SH-109L1 | 9V | OZ-SH-109L1 |
| | 1-1649399-0 | OZ-SH-106L1 | 6V | OZ-SH-106L1 |
| | 1649399-9 | OZ-SH-105L1 | 5V | OZ-SH-105L1 |
| | 1649399-8 | OZ-SS-148L1 | 48V | OZ-SS-148L1 |
| | 1649399-7 | OZ-SS-136L1 | 36V | OZ-SS-136L1 |
| | 1649399-6 | OZ-SS-124L1 | 24V | OZ-SS-124L1 |
| | 1649399-5 | OZ-SS-118L1 | 18V | OZ-SS-118L1 |
| | 1649399-4 | OZ-SS-112L1 | 12V | OZ-SS-112L1 |
| | 1649399-3 | OZ-SS-109L1 | 9V | OZ-SS-109L1 |
| | 1649399-2 | OZ-SS-106L1 | 6V | OZ-SS-106L1 |
| | 1649399-1 | OZ-SS-105L1 | 5V | OZ-SS-105L1 |
| | PART NO | EC TYPE NAME | PART B | PART A |

RELAY TYPE

| DIMENSIONS: | TOLERANCES UNLESS OTHERWISE SPECIFIED: |
|-------------|--|
| mm | |
| | 0 PLC ± |
| | 1 PLC ± |
| | 2 PLC ± |
| | 3 PLC ± |
| | 4 PLC ± |
| | ANGLES ± |
| MATERIAL | FINISH |
| - | - |

| | | | | |
|------------------|---------------------|-----------|------------|---------------|
| DWN | | | | |
| CHK | | | | |
| APVD | NAME | | | |
| PRODUCT SPEC | OZ CUSTOMER DRAWING | | | |
| APPLICATION SPEC | SIZE | CAGE CODE | DRAWING NO | RESTRICTED TO |
| WEIGHT | A3 | 00779 | ④ 1649399 | - |
| CUSTOMER DRAWING | SCALE | SHEET | OF | REV |
| | 4:1 | 2 | 2 | D |

| INCOMBUSTIBILITY | TREATMENT | MATERIAL | DESCRIPTION | ITEM | |
|------------------|------------|--------------------------|--------------------|----------|---|
| | | UV RESIN | UV SEAL | 17 | |
| | | EPOXY RESIN | SEAL | 16 | |
| | | Cu ALLOY | HINGE SPRING | 15 | |
| UL94 V-0 | | PBT | CASE | 14 | |
| | | POLYURETHANE COPPER WIRE | MAGNETIC WIRE | 13 | |
| UL94 V-0 | | PET | BASE | 12 | |
| UL94 V-0 | | PBT | BOBBIN | 11 | |
| | SOLDER DIP | HCP WIRE | COIL TERMINAL | 10 | |
| UL94 V-0 | | PPS | CARD | 9 | |
| | | Ag ALLOY | MOVABLE CONTACT | 8 | |
| | | Ag ALLOY | STATIONARY CONTACT | 7 | |
| | SOLDER DIP | Cu ALLOY | NC TERMINAL | 6 | |
| | SOLDER DIP | Cu ALLOY | MOVABLE SPRING | 5 | |
| | SOLDER DIP | Cu ALLOY | NO TERMINAL | 4 | |
| | | Ni PLATED | STEEL | CORE | 3 |
| | | Ni PLATED | STEEL | ARMATURE | 2 |
| | | Ni PLATED | STEEL | YOKE | 1 |

单击下面可查看定价，库存，交付和生命周期等信息

[>>TE Connectivity\(泰科\)](#)