

THIS DRAWING IS UNPUBLISHED.

RELEASED FOR PUBLICATION

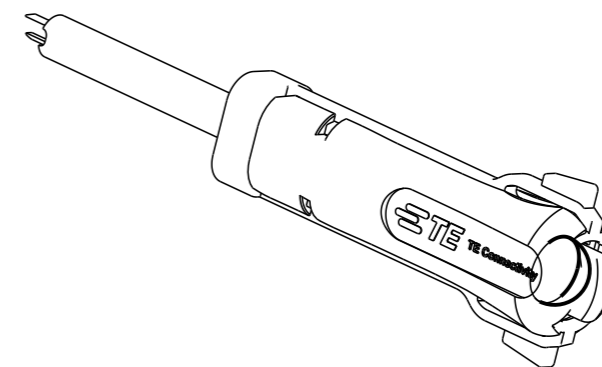
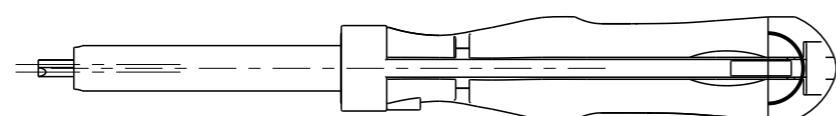
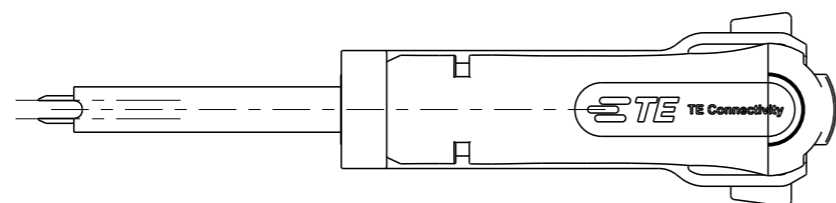
20

© COPYRIGHT 20 BY -

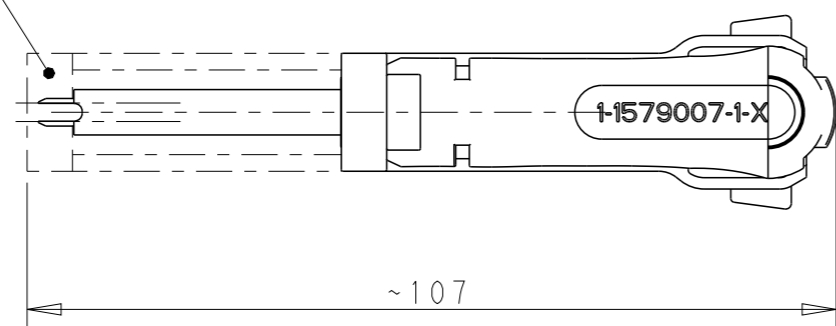
ALL RIGHTS RESERVED.

REVISIONS

P	LTR	DESCRIPTION	DATE	DWN	APVD
	B	ECR-18-007555	28MAY2018	MG	BM



COVER SLIDE
Schutzschieber



FOR CONTACTS: AMP MCP 1.5

(REPLACEMENT FOR TOOL 539968-1)

THIS DRAWING IS A CONTROLLED DOCUMENT.		DWN J. ZAJICEK 25MAR2003		
DIMENSIONS: mm		CHK -		
TOLERANCES UNLESS OTHERWISE SPECIFIED:		APVD -	NAME EXTRACTION TOOL Entriegelungswerkzeug	
0 PLC ±-		PRODUCT SPEC -	-	
1 PLC ±-		APPLICATION SPEC -	SIZE A3	CAGE CODE 00779
2 PLC ±-		WEIGHT -	DRAWING NO C-1-1579007-1	RESTRICTED TO -
3 PLC ±-		CUSTOMER DRAWING	SCALE 1:1	SHEET 1 OF 1
4 PLC ±-				REV B
ANGLES ±1				
FINISH -				

单击下面可查看定价，库存，交付和生命周期等信息

[>>TE Connectivity\(泰科\)](#)