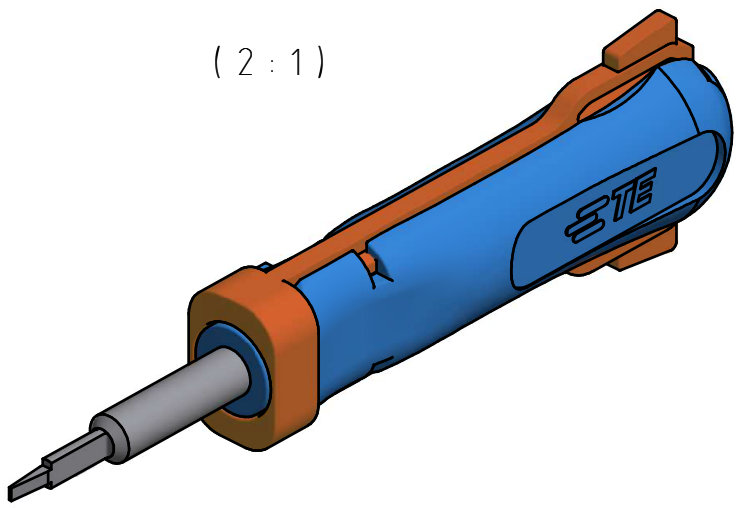
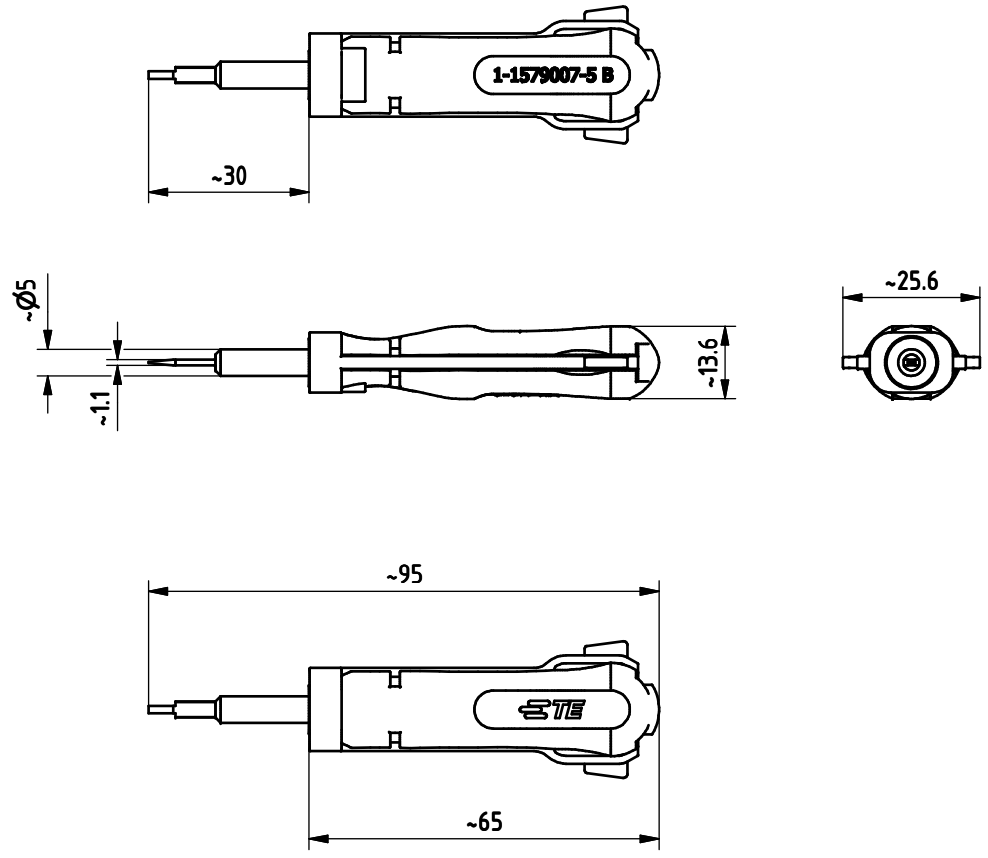


LOC	DIST	REVISIONS					
AI	00	P	LTR	DESCRIPTION	DATE	DWN	APVD
		B1		ECR-19-017115	07NOV19	PNT	GS



(2:1)



THIS DRAWING IS A CONTROLLED DOCUMENT.		DWN	24MAR05		TE Connectivity
		CHK	09AUG10		
		APVD	09AUG10		
		PRODUCT SPEC	J. Zajicek		
		APPLICATION SPEC	J. Zajicek		NAME
		Gewicht / Weight in Kg	0.014		EXTRACTION TOOL
		CUSTOMER DRAWING			ENTRIEGLUNGSWERKZEUG
DIMENSIONS: mm TOLERANCES UNLESS OTHERWISE SPECIFIED: 0 PLC ± 1 PLC ±±± 2 PLC ±±±± 3 PLC ±±±±± 4 PLC ±±±±±± ANGLES ±		SIZE	CAGE CODE	DRAWING NO	RESTRICTED TO
MATERIAL		A3	00779	1-1579007-5	
FINISH		SCALE 1:1		SHEET 1 OF 1	REV B1

单击下面可查看定价，库存，交付和生命周期等信息

[>>TE Connectivity\(泰科\)](#)