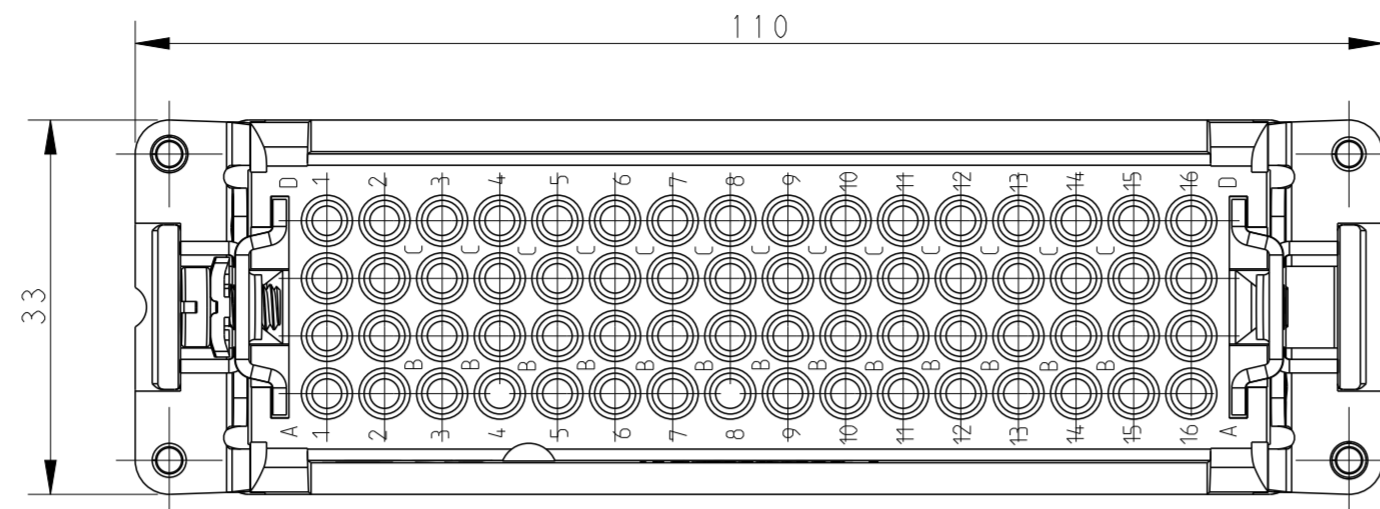


REVISIONS					
P	LTR	DESCRIPTION	DATE	DWN	APVD
B		ECR-20-005011	06APR2020	QY	JB

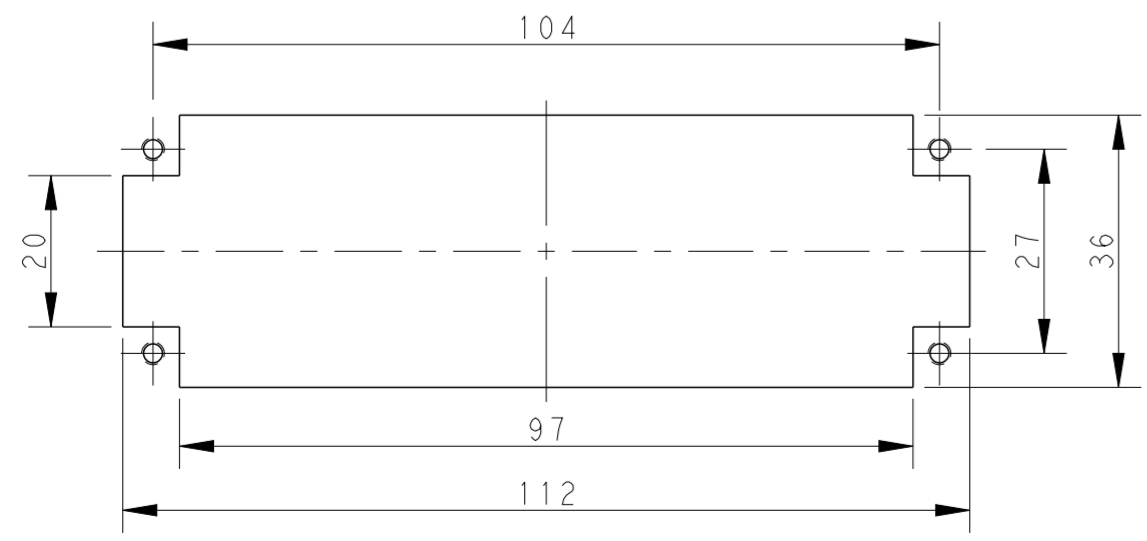
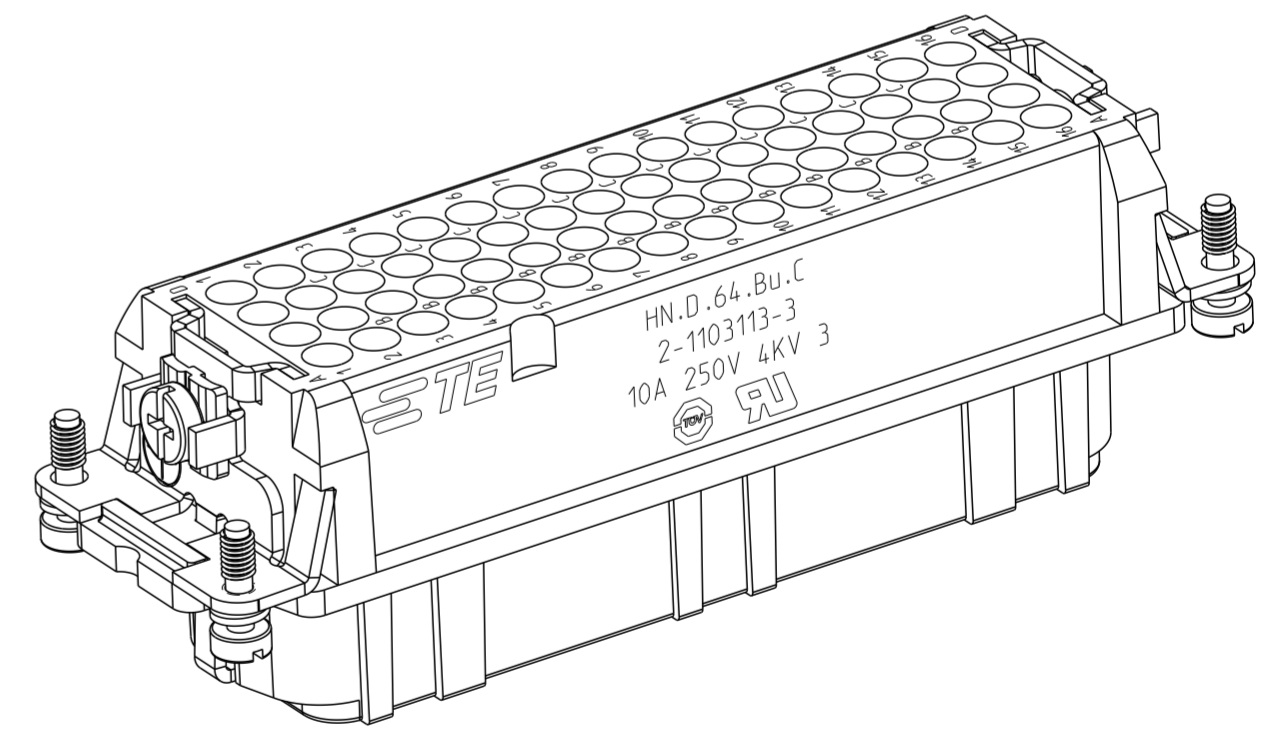
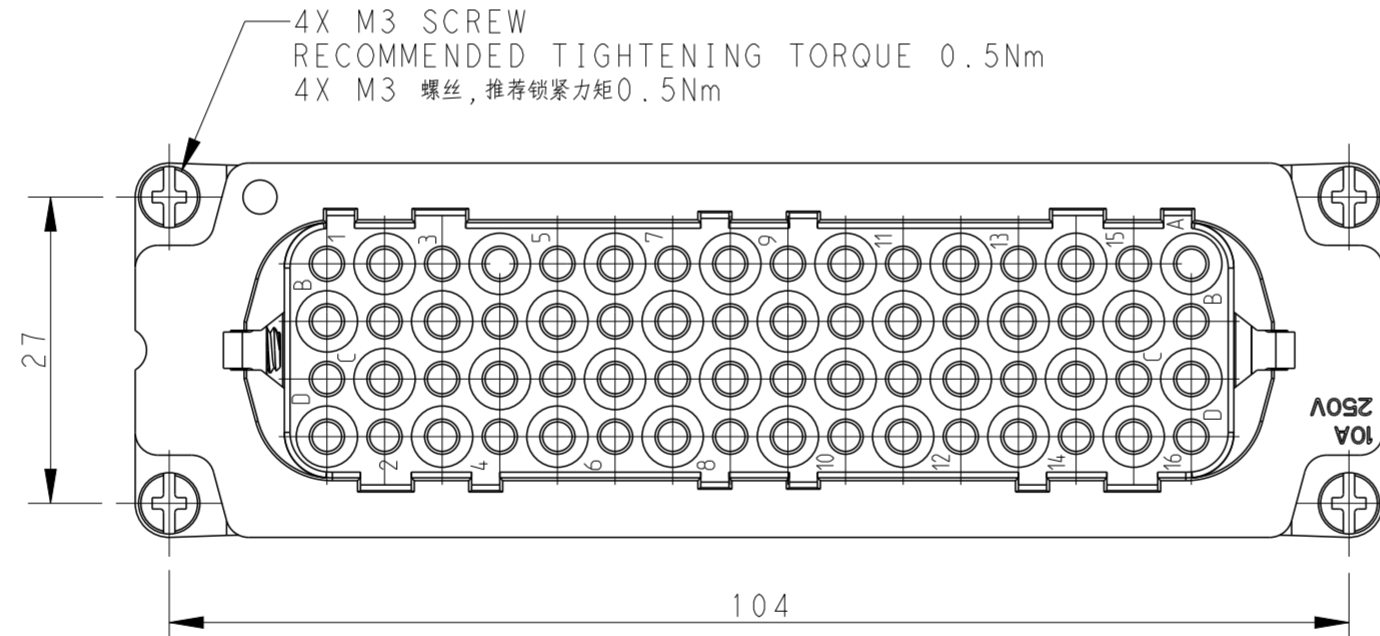
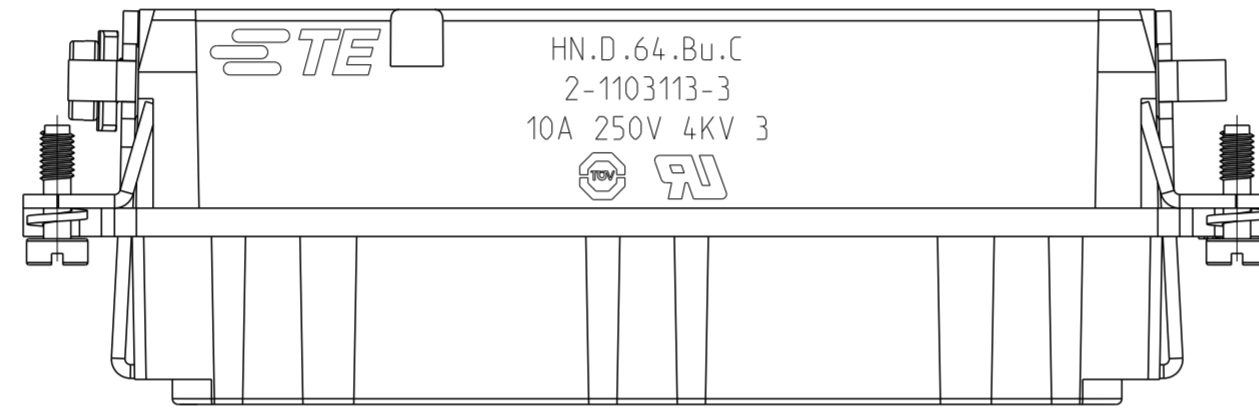
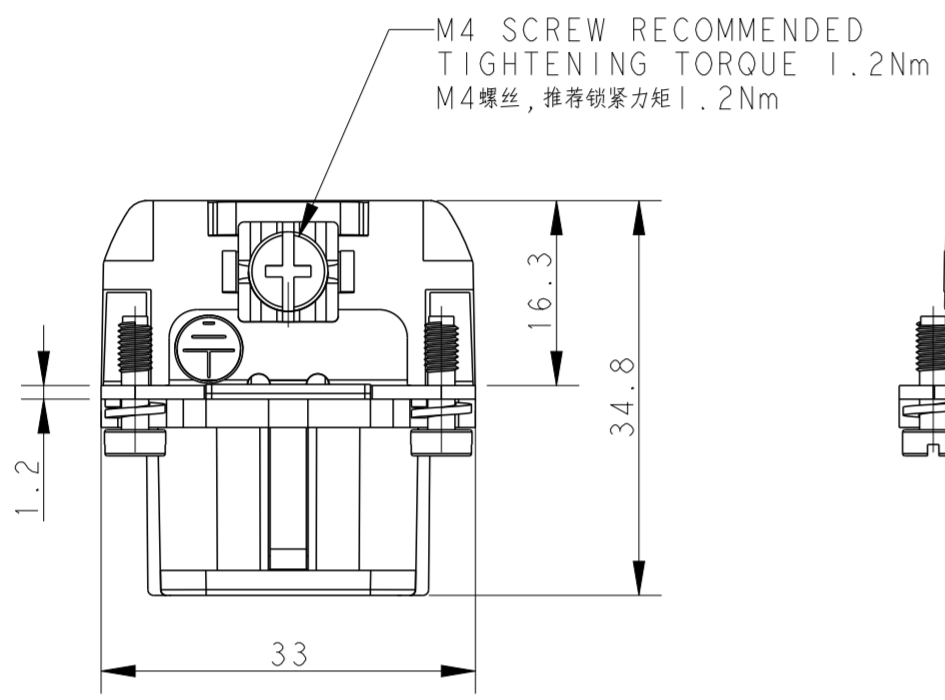


NOTES:
 1. TECHNICAL CHARACTERISTICS:
 INSULATION MATERIAL: PC
 RATED VOLTAGE: 250V
 RATED CURRENT: 10A
 RATED IMPULSE VOLTAGE: 4KV
 POLLUTION DEGREE: 3
 WIRE RANGE: 0.14mm²~2.5mm² (AWG26-AWG14)

2. CONTACT NEED TO BE ORDERED SEPARATELY.

注释:
 1. 技术参数:
 绝缘材料: PC
 额定电压: 250V
 额定电流: 10A
 脉冲电压: 4KV
 污染等级: 3
 接线范围: 0.14mm²~2.5mm² (AWG26-AWG14)

2. 端子需要单独订购.



PANEL CUT FOR INSERTS FOR USE WITHOUT HOODS/ HOUSINGS
 不使用防护外壳时芯件的安装开孔图

2-1103113-3	HN.D.64.Bu.C	HD-064 FEMALE INSERT FOR MACHINED CONTACT TYPE HD-064 母插, 车削针型 (HTS)
PART NUMBER 料号	PART DESCRIPTION 描述	
THIS DRAWING IS A CONTROLLED DOCUMENT.		DWN 09 JAN 2020 CHK 09 JAN 2020 APVD 09 JAN 2020 MARCIN KOMAR
DIMENSIONS: mm		TE Connectivity
TOLERANCES UNLESS OTHERWISE SPECIFIED: 0 PLC ± 1 PLC ± 2 PLC ± 3 PLC ± 4 PLC ± ANGLES ±		NAME HN.D.64.Bu.C
MATERIAL -		FINISH -
PRODUCT SPEC 108-74002		SIZE A200779
APPLICATION SPEC 114-74000		CAGE CODE C-1103113
WEIGHT -		DRAWING NO -
CUSTOMER DRAWING		RESTRICTED TO -
SCALE 3:2		SHEET 1 OF 1
REV B		

单击下面可查看定价，库存，交付和生命周期等信息

[>>TE Connectivity\(泰科\)](#)