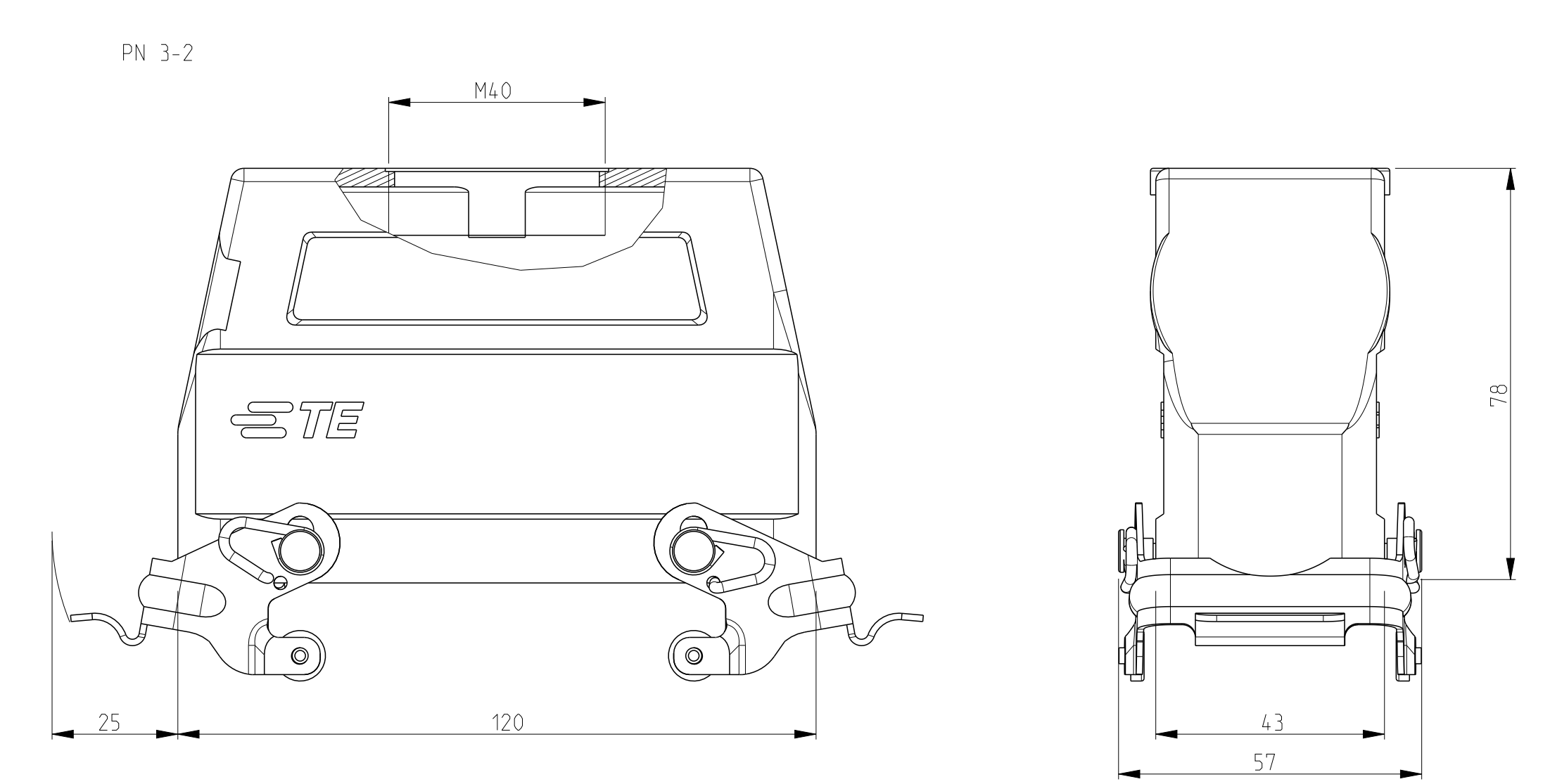
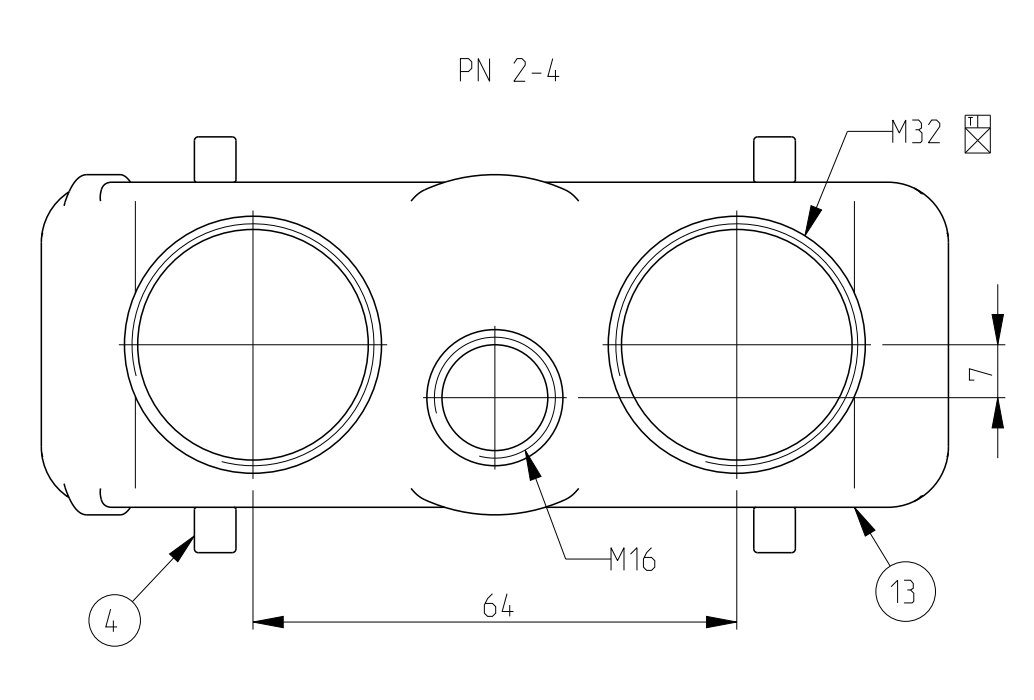
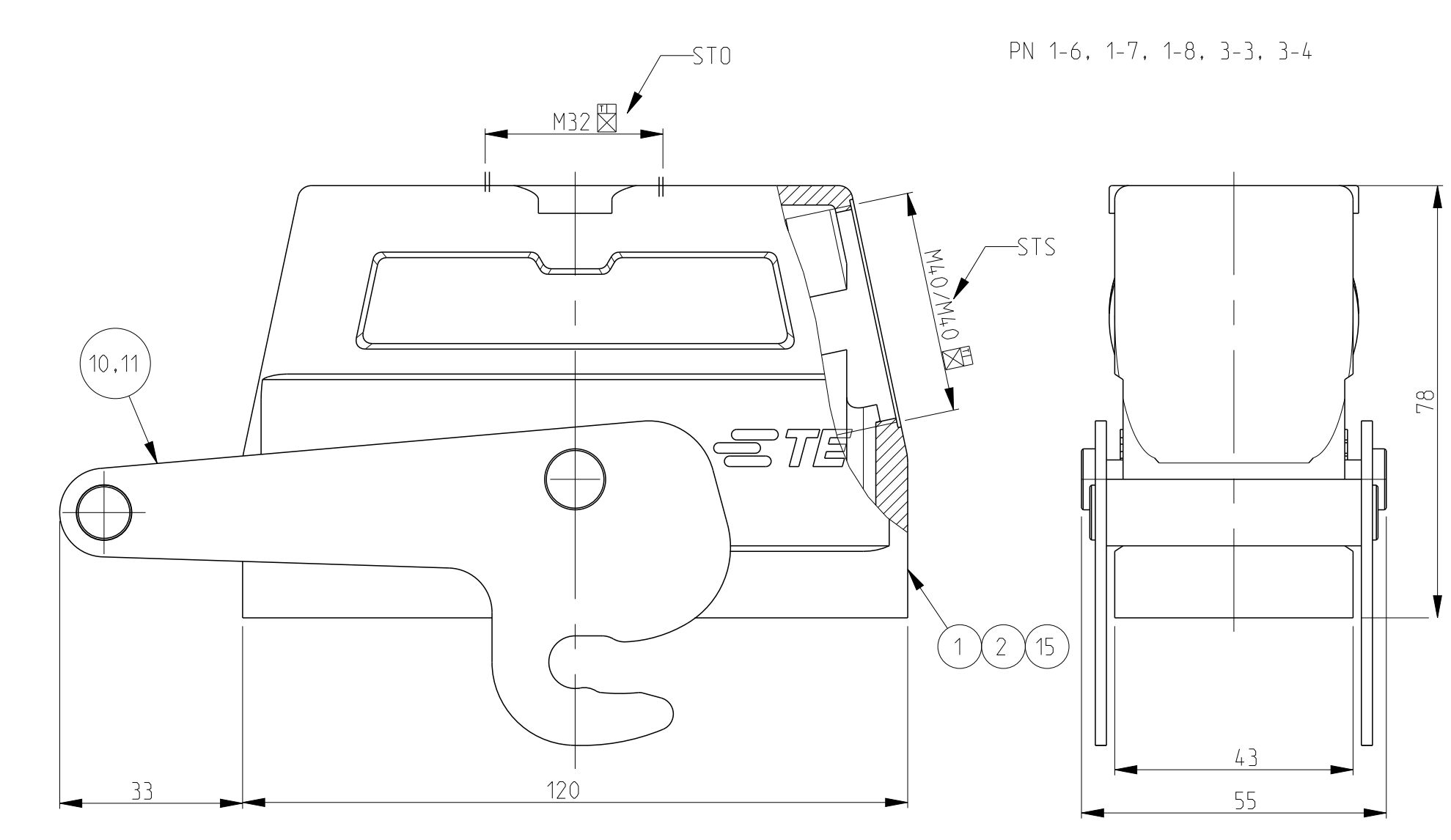
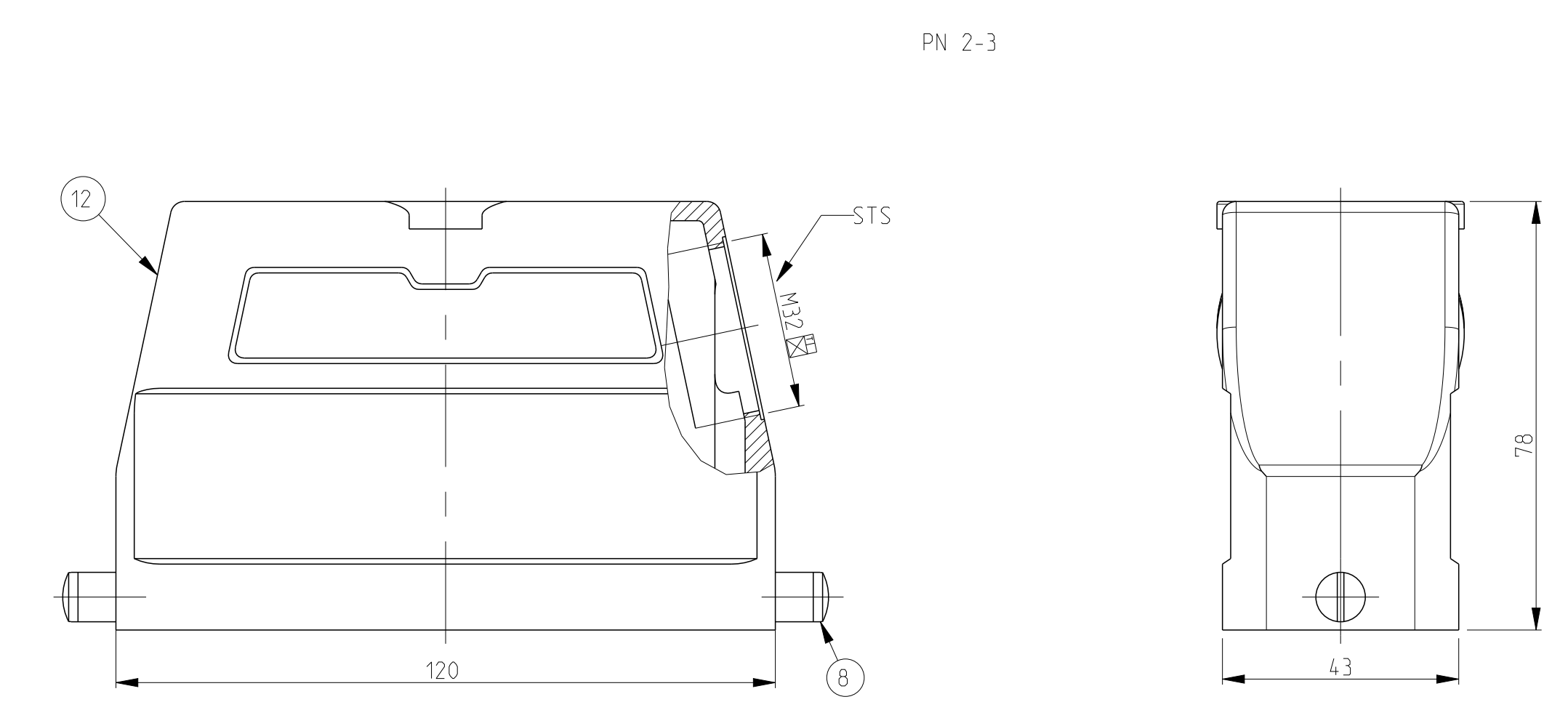
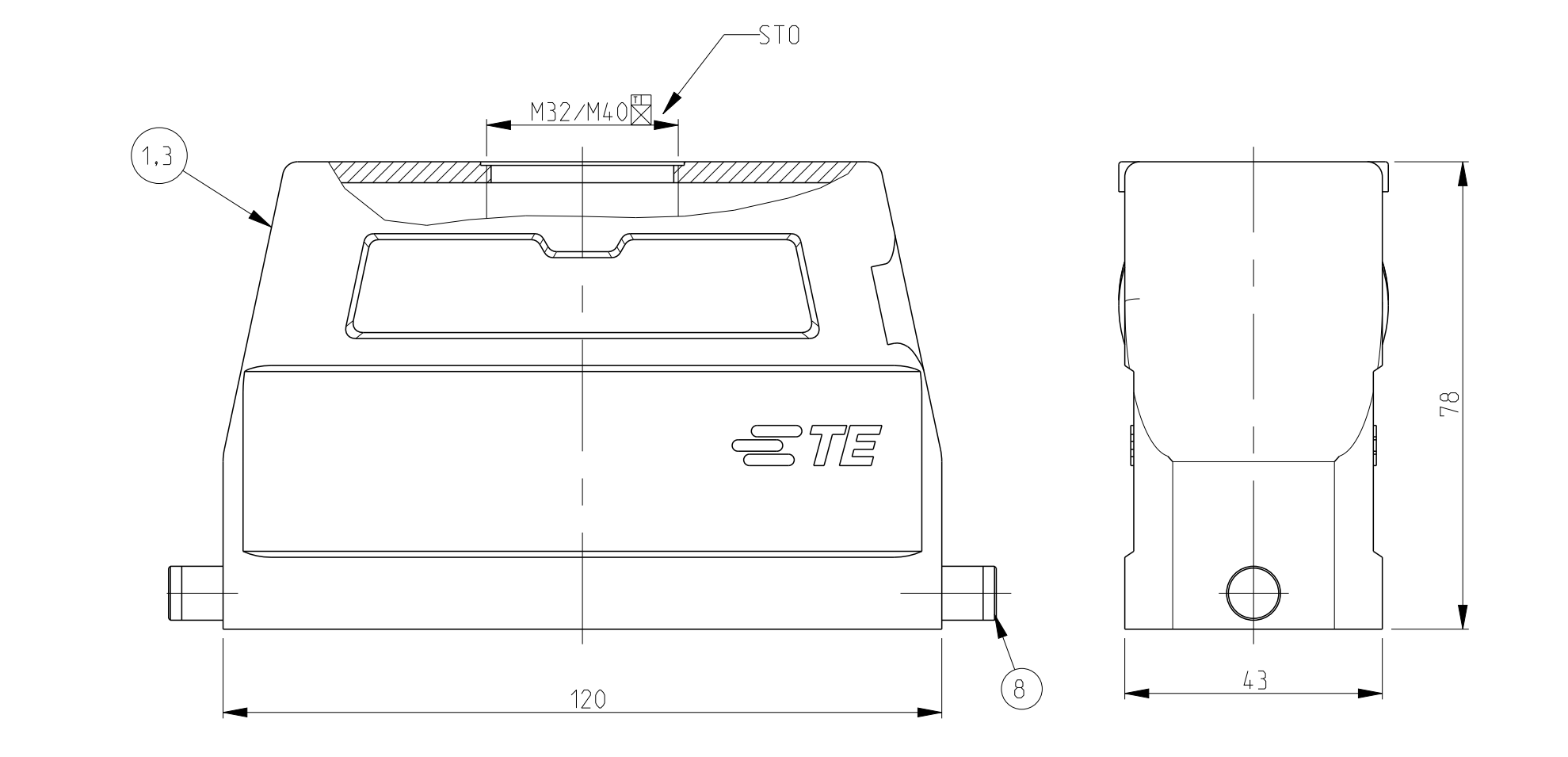
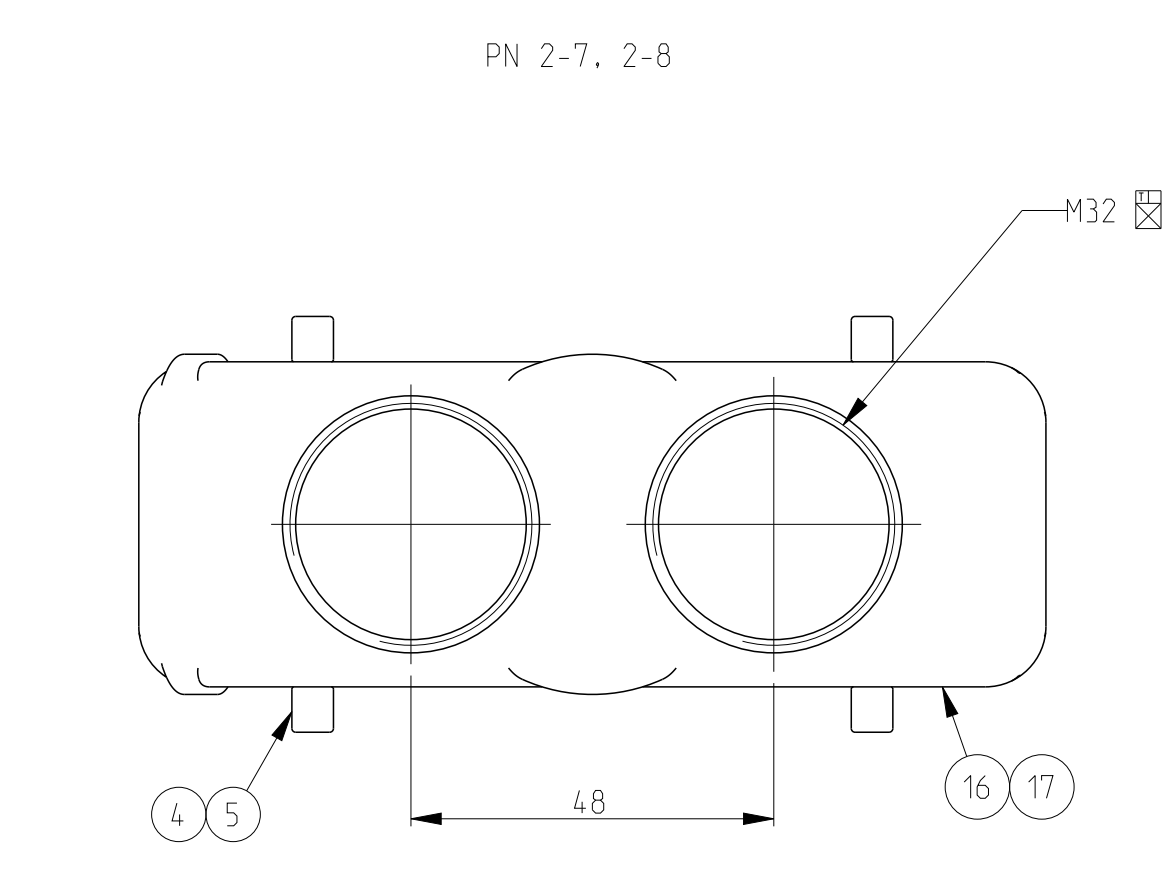
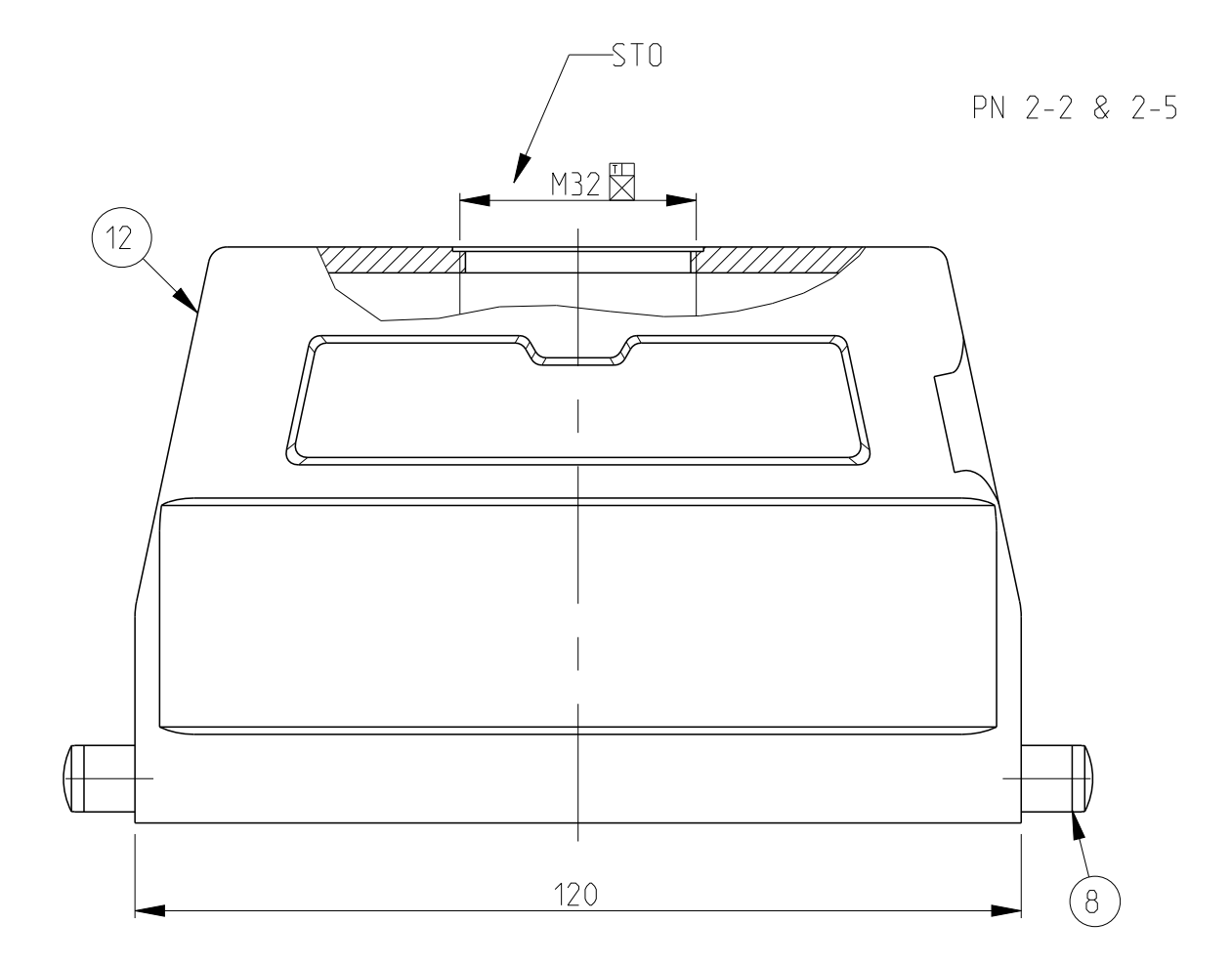
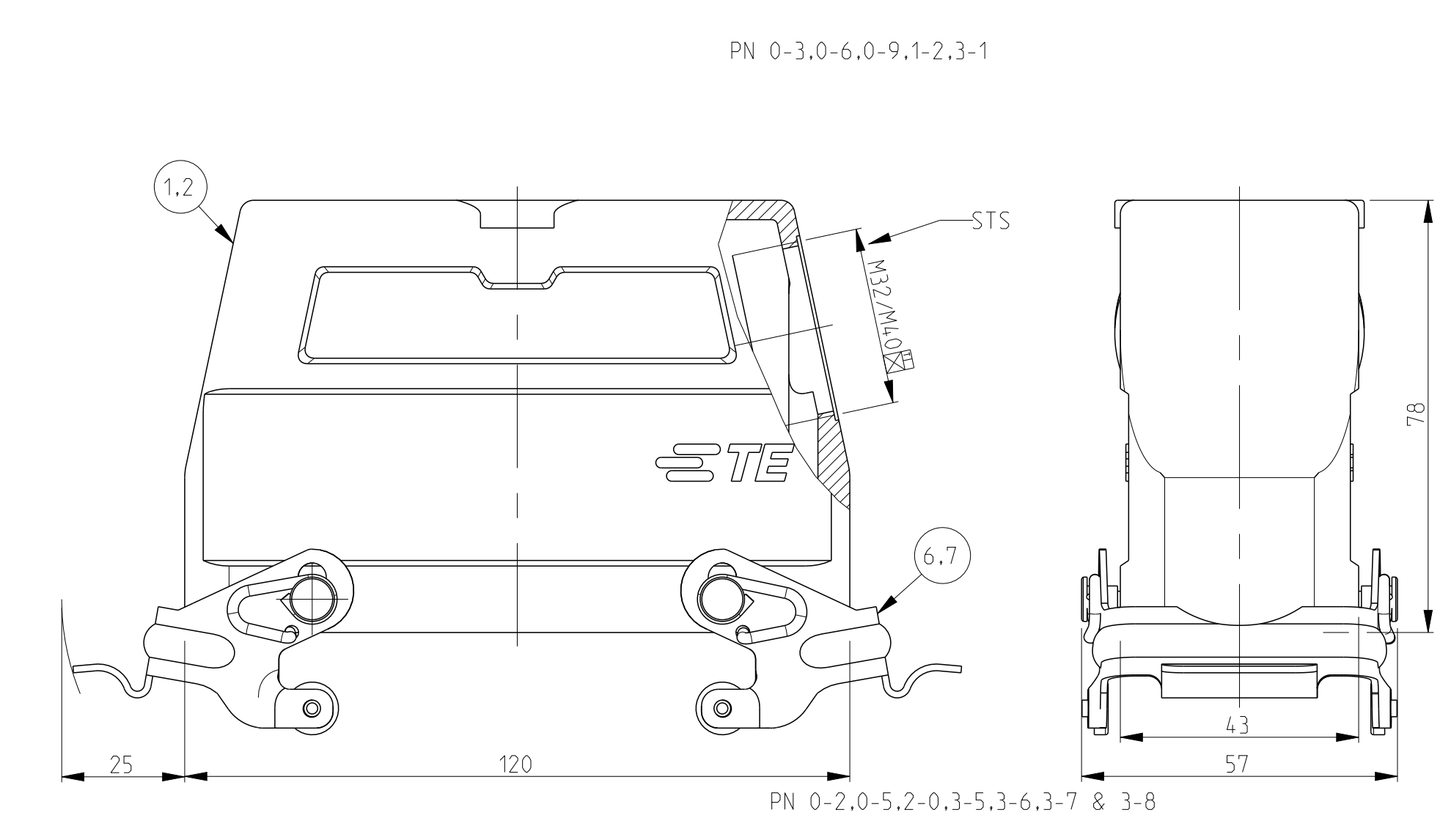
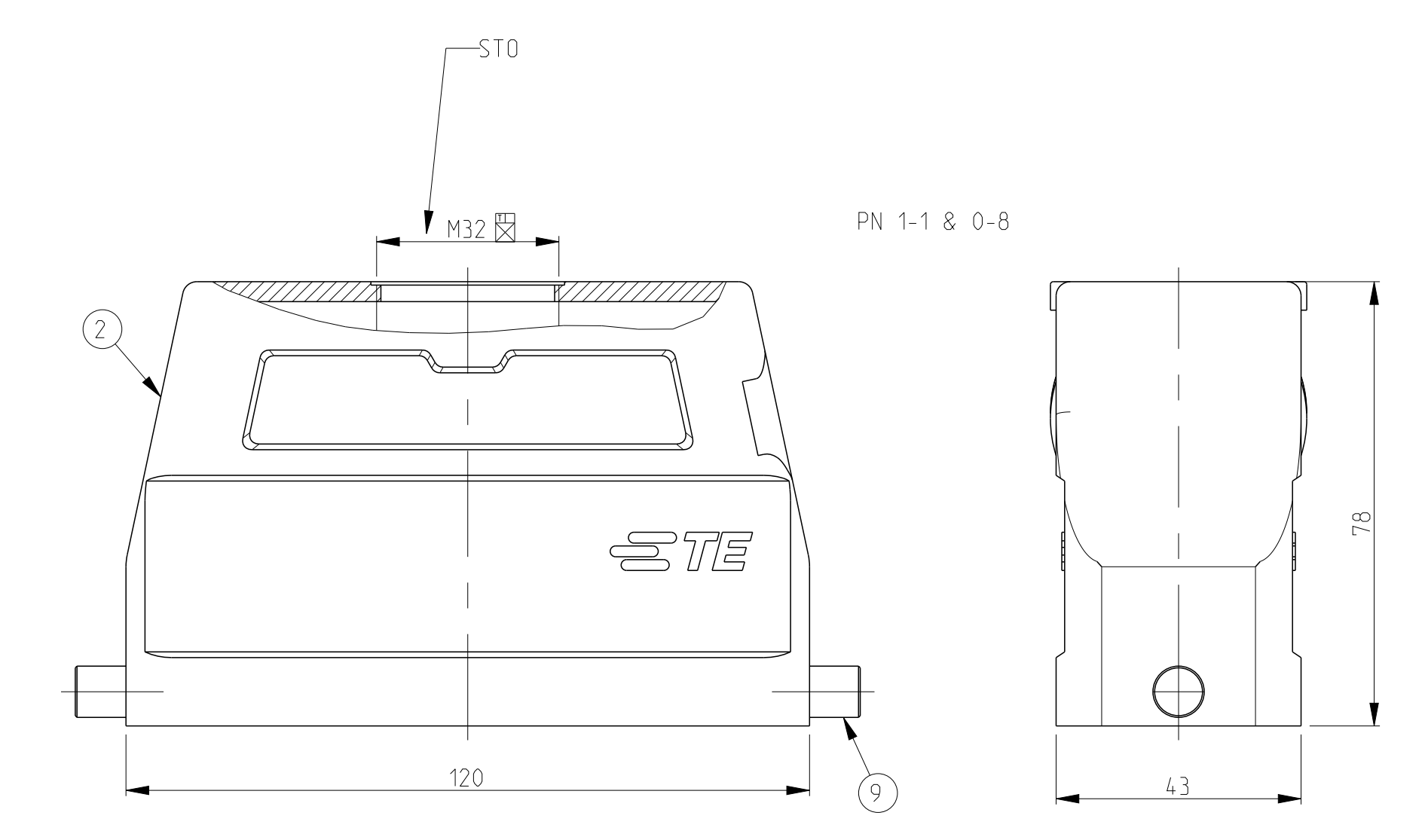
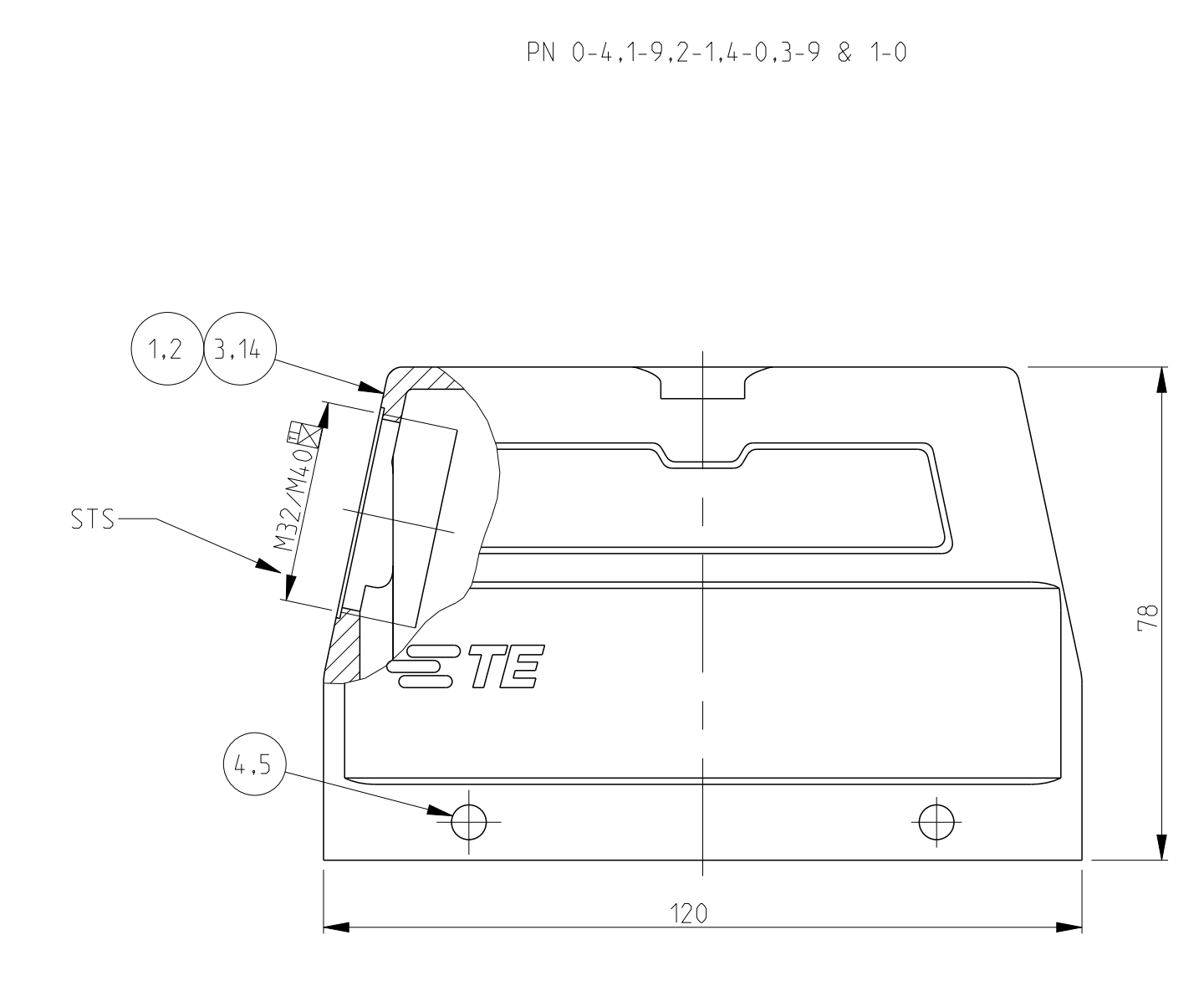
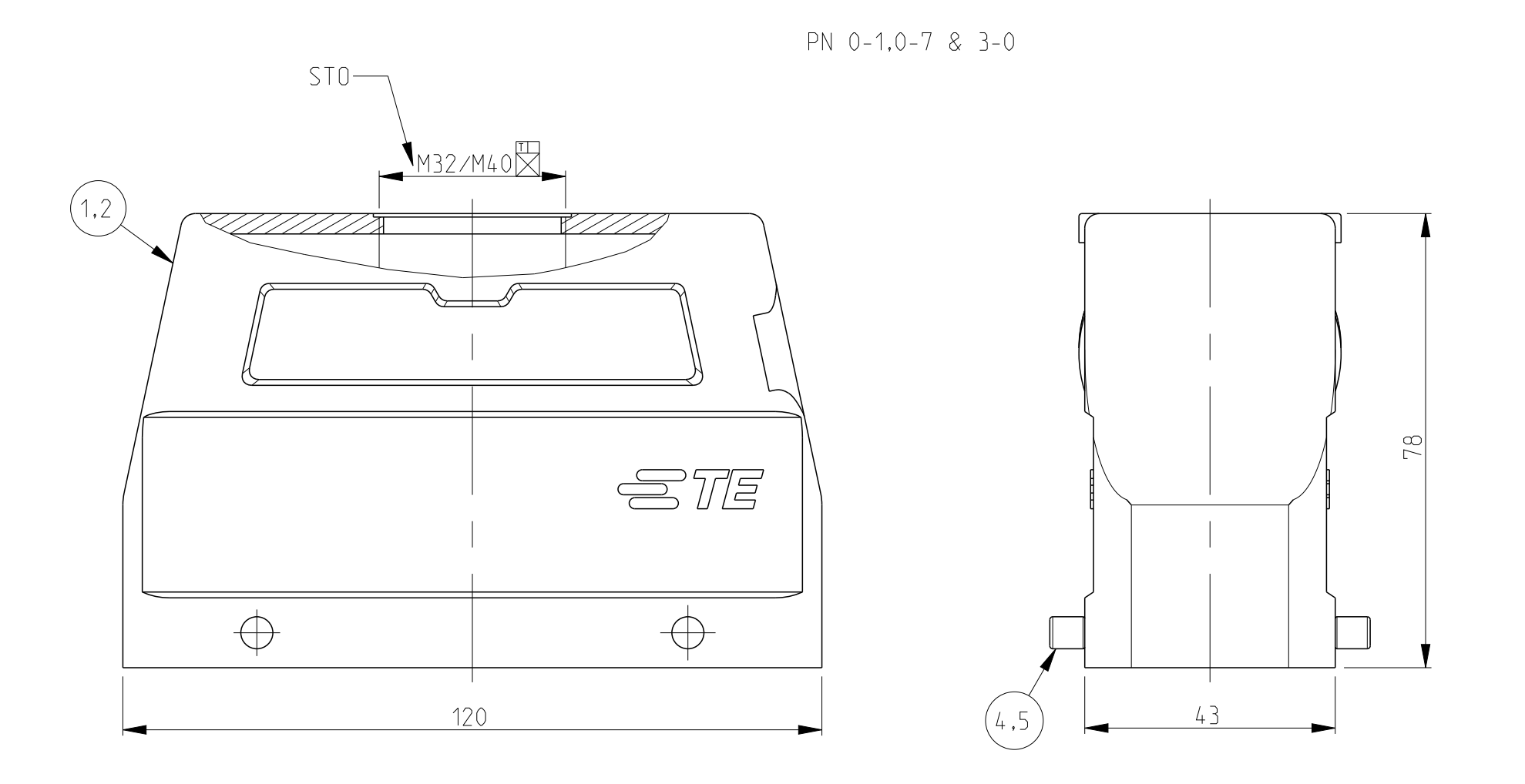


LOC	DIST	REVISIONS			
		REV	DATE	BY	APPD
A1	-	A16	ECR-14-013782	23SEP2014	RK MKO
		A17	ECR-16-016696	24MAY2017	GM MKO
		A18	ECR-16-016780	19NOV2017	GR MKO
		A19	REVISED PER ECR-17-014013	14FEB2018	SRG MKO



NO.	DESCRIPTION	QTY	UNIT	MATERIAL	SURFACE	COLOR	ITEM NO	NOTES
1	HD-K HOOD	1		Aluminium	Aluminium oxide	Black	17	
1	HD HOOD	1		Aluminium		GREY	16	
1	HD HOOD	1		Aluminium		GREY	15	
1	HD-EMV Hood	1		Aluminium	chromit Al passivation	Black	14	
1	HD Hood	1		Aluminium		Grey	13	
1	HD Hood	1		Aluminium	Neutral	Grey	12	Without TE-Logo
1	ZB-Central clip	1		Stainless steel	Blank		11	
1	ZB-Central clip	1		Steel	zinc plated	Blue	10	
1	LB-Clip bolt	1		Stainless steel	Blank		9	
1	LB-Clip bolt	1		Steel	zinc plated	Blue	8	
1	VS-Side clip	1		Stainless steel	Blank		7	
1	VS-Side clip	1		Steel	zinc plated	Blue	6	
1	VS-Clip bolt	1		Stainless steel	Blank		5	
1	VS-Clip bolt	1		Steel	zinc plated	Blue	4	
1	HD Hood	1		Aluminium		Grey	3	Without TE-Logo
1	HD-K Hood	1		Aluminium	Aluminium oxide	Black	2	
1	HD Hood	1		Aluminium		Grey	1	

- NOTES:
- Material:Housing:Aluminium Diecasting Alloy
 - Surface:Varnish grey
 - Varnish on the inside not necessary
- ⚠ Packaging Quantity 5 Pieces in a box
- ⚠ Without TE-Product sign
- ⚠ Special Packaging Quantity 50 Pieces in a Kanban box

THIS DRAWING IS A CONTROLLED DOCUMENT. DATE: 30-Nov-07
 DIMENSIONS: SCHNEIDER 30-Nov-07
 PRODUCT SPEC: 108-74.001/74.003
 APPLICATION REF: 114-74.001/74.004
 MATERIAL: ALUMINUM
 FINISH: POLISHED

Customer Drawing

STE TE Connectivity
 Hood HD.64.STS.M32/1.M4.0.G
 SITE: A0 CASE CODE: 00779 DRAWING NO: 114-74.001/74.004
 SCALE: 5:1 SHEET: 1 OF 1 REV: A19

单击下面可查看定价，库存，交付和生命周期等信息

[>>TE Connectivity\(泰科\)](#)